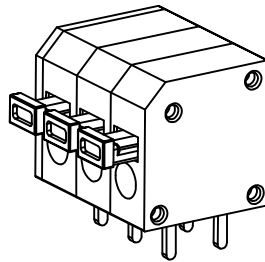
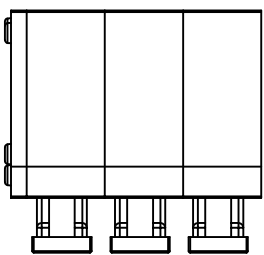


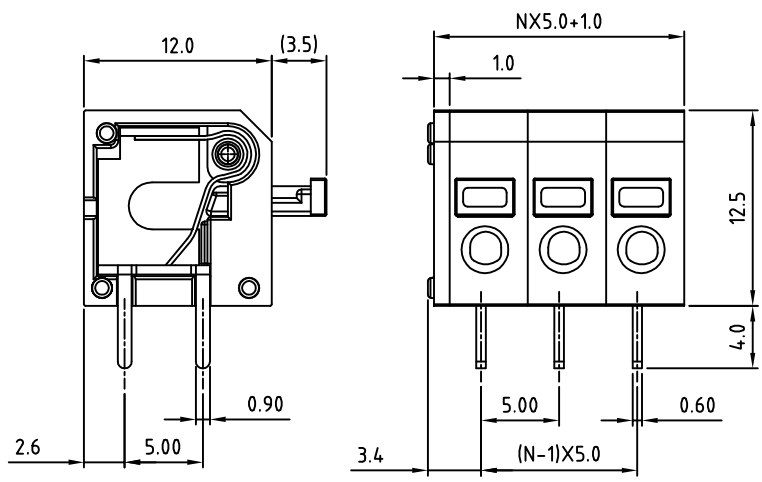
1	2	3	4	5	6	7
SIGN	DATE	DESCRIPTION				APPROVER
<i>THIS IS CAD DRAWING, DO NOT REVISE MANUALLY!!!</i>						



- Material**
- Terminal body (Contact pin): Brass
 - Wire guard: Stainless steel
 - Surface of solder tail: Tin plated
 - Insulator (housing): Thermoplastic (UL94V-0)

- Electrical**
- Voltage rating: 300VAC
 - Current rating: 6A
 - Wire range:
 - Solid wire(AWG): 16-26
 - Stranded wire(AWG): 16-26
 - Wire strip length: 6-7mm
 - Withstanding Voltage: 1.6KV
 - Operating temperature: -30°C to +105°C
 - Soldering temperature: 250°C±10°C/5 Sec
 - Safety Approval:

RoHS Compliant

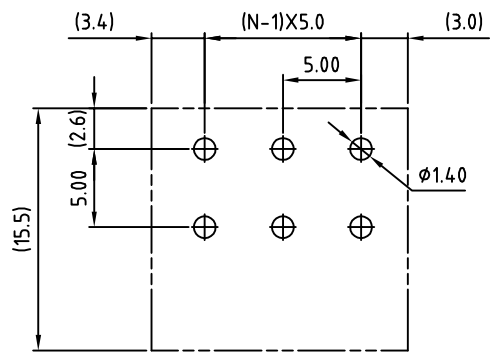


N=Number of poles

PART NUMBER:

OSTHXXX0180

- | | |
|--------------|--------------------|
| No. of Poles | COLOR |
| 01: 1 Pole | 0: Black |
| 02: 2 Poles | 2: Red |
| ... | 5: Green |
| 24 24 Poles | 8: Grey(Standard) |
| | 9: White |
| | C: Multiple colors |



P.C.B LAYOUT

THESE DRAWINGS AND SPECIFICATIONS ARE THE PROPERTY OF ON-SHORE TECHNOLOGY, INC. AND SHALL NOT BE REPRODUCED, COPIED OR USED IN ANY MANNER WITHOUT THE PRIOR WRITTEN CONSENT OF ON-SHORE TECHNOLOGY, INC.



TITLE		OSTHX 5.0mm series horizontal 180° (Wire inlet)				
PART NO.	OSTHXXX0180			DWG NO.	OSTHXXX0180.DWG	
APPROVED	CHECKED	DESIGNED	DRAWN	CUST NO.		
Shi jun 2006.11.07	Marivn 2006.06.20	Marivn 2006.06.20	Marivn 2006.06.20			
					UNIT: mm	Tolerance
					SCALE: NONE	X. ±0.50
				SHEET: 01/01	REV: C	X.X ±0.30
						X.XX ±0.10
						X° ±1°