

ATLANTIC VERSION TERMINATOR INTERFACE ADAPTER	PART NUMBER	REVISION	DESCRIPTION	FEED TYPE	APPLICATOR STYLE CONVERSION CHART						
					CONVERT TO	PART NUMBERS REQUIRED					
	2266046-1	F	FINE CRIMP HEIGHT ADJUST	MECHANICAL	PNEUMATIC FEED	2119950-1	1338685-1	5-18022-5	2119641-1	2119799-1	2063440-1
					SERVO LATCH PLATE	2119951-1	-	8-2266046-5	1901094-3	1-1752354-6	2168400-6 (QUANTITY 2)
					SMART APPLICATOR	2161326-1	-	8-2266046-4	-	-	-
	2266046-2	F	FINE CRIMP HEIGHT ADJUST	PNEUMATIC	DOUBLE ACTING	2119950-2	1338685-1	5-18022-5	-	2119799-1	1803430-1
					MECHANICAL FEED	2119949-1	1338685-1	5-18022-5	2119653-1	-	-
					SERVO LATCH PLATE	2119951-1	-	8-2266046-5	1901094-3	1-1752354-6	2168400-6 (QUANTITY 2)
	2266046-5	F	FINE CRIMP HEIGHT ADJUST	SERVO LATCH PLATE	SMART APPLICATOR	2161326-1	-	8-2266046-4	-	-	-
					DOUBLE ACTING	2119950-2	1338685-1	5-18022-5	-	2119799-1	1803430-1
					MECHANICAL FEED	2119949-1	1338685-1	5-18022-5	2119653-1	-	-
	2266046-6	F	NON-CRIMP HEIGHT ADJUST	SERVO LATCH PLATE	PNEUMATIC FEED	2119950-1	1338685-1	5-18022-5	2119641-1	2119799-1	2063440-1
					DOUBLE ACTING	2119950-2	1338685-1	5-18022-5	-	2119799-1	1803430-1
	2266046-7	F	FINE CRIMP HEIGHT ADJUST	NONE	-	-	-	-	-	-	-
					-	-	-	-	-	-	-
	3-2266046-2	F	FINE CRIMP HEIGHT ADJUST	DOUBLE ACTING PNEUMATIC WITH SENSORS	MECHANICAL FEED	2119949-1	1338685-1	5-18022-5	2119653-1	-	-
PNEUMATIC FEED					2119950-1	1338685-1	5-18022-5	2119641-1	2119799-1	2063440-1	
SERVO LATCH PLATE					2119951-1	-	8-2266046-5	1901094-3	1-1752354-6	2168400-6 (QUANTITY 2)	
7-2266046-7	F	CRIMP TOOLING KIT	-	-	-	-	-	-	-	-	

APPLICATOR DATA		
CRIMP	SIZE	TYPE
WIRE	1.07 mm [.042]	F
INSUL	-	-
APPLICATOR INSTRUCTIONS 408-10389		

TERMINAL DATA: TE TERMINAL		TE CRIMP SPECIFICATION
TERMINAL NAME: CENTER CONTACT, 180 DEGREE, FAKRA		
WIRE STRIP LENGTH		INSULATION DIAMETER RANGE
2.86-3.36 mm [.113-.132 IN]		Ø
TERMINAL APPLICATION SPECIFICATION	114-32145	-
TERMINALS APPLIED		
TE TERMINAL	TE TERMINAL	TE TERMINAL
2203260-4	1-2203260-2	2203270-4

WIRE SIZE	CRIMP HEIGHT mm [INCH]	CRIMP HEIGHT REFERENCE SETTING
1.5 DS-OFB	0.73+/-0.03 [.029+/-0.001]	9.4
RG-174	0.72+/-0.03 [.028+/-0.001]	9.2
RG-316	0.72+/-0.03 [.028+/-0.001]	9.2
DACAR 363	0.71+/-0.03 [.028+/-0.001]	9.3
RG-174 LL	0.69+/-0.03 [.027+/-0.001]	9.5
1.5 DS-GEC	0.67+/-0.03 [.026+/-0.001]	9.7
1.5 DS-GXC-SP	0.64+/-0.03 [.025+/-0.001]	10

- 1. RECOMMENDED SPARE PARTS
- 2. GREASE BEARING SURFACES LIGHTLY
- 3. LUBRICATE DAILY PER THE APPLICATOR INSTRUCTION SHEET SUPPLIED WITH THE APPLICATOR.
- 4. APPLICATOR SPECIFIC DATA TO BE ENTERED INTO BLANK MEMORY CHIP AT ASSEMBLY. SEE BELOW FOR PART NUMBER:
 MECHANICAL FEED WITH "SMART APPLICATOR" CONVERSION: 8-2266046-4
 PNEUMATIC FEED WITH "SMART APPLICATOR" CONVERSION: 8-2266046-4
 SERVO FEED WITH "FINE CRIMP HEIGHT ADJUST": 8-2266046-5
 SERVO FEED WITH "NON-CRIMP HEIGHT ADJUST": 8-2266046-6
- 5. ADJUSTMENT OF THE STRIPPER MAY BE REQUIRED WHEN MOVING THE APPLICATOR BETWEEN BENCH AND LEADMAKER APPLICATIONS.
- 6. APPLY PART NUMBER 1-23419-5 LOCTITE TO THREADS OF ITEM 62. FOR -6 ONLY APPLY PART NUMBER 1-23419-5 LOCTITE TO THREADS OF ITEM 37.
- 7. GREASE THREADS, GROOVE AND O-RING ON ITEMS 35 & 252.
- 8. MAGNET, ITEM 166 MUST BE ORIENTED CORRECTLY IN ORDER TO PROPERLY ACTUATE THE COUNTER.
- 9. CRIMP HEIGHT REFERENCE SETTING WAS THE SETTING USED WHEN THE APPLICATOR WAS QUALIFIED AT THE FACTORY. ADJUSTMENT MAY BE NECESSARY WHEN RUNNING APPLICATOR IN THE FIELD.
- 10. SPARE FEED CAM STORAGE LOCATION REFER TO INSTRUCTION SHEET FOR ADDITIONAL INFORMATION.

- 11. TO CONVERT THE APPLICATOR TO A NON-CARRIER CUTTING STYLE, REMOVE ITEM 13 AND ATTACH TO THE LOCATION ON THE BACK SIDE OF THE HOUSING. REFER TO INSTRUCTION SHEET FOR ADDITIONAL INFORMATION.
- 12. WHEN ASSEMBLING A NON CRIMP HEIGHT ADJUST APPLICATOR (-6) USE SHIMS FROM ITEM 260 TO ACHIEVE A NOMINAL SHIM HEIGHT OF 5.07.
- 13. THIS APPLICATOR IS EQUIPPED WITH THE DOUBLE ACTING PNEUMATIC FEED WITH SENSORS AND IS APPLICATION SPECIFIC AND DOES NOT REQUIRE ITEMS 49 & 151.
- 14. TERMINAL LUBRICANT IS RECOMMENDED.

-	1	-	-	-	-	-	1803430-1	AIR FEED MODULE	290
-	-	-	1	-	-	-	2119957-2	APPLICATOR SHIM PACK	260
-77	-32	-7	-6	-5	-2	-1	PART NO	DESCRIPTION	ITEM NO

ATLANTIC VERSION
 Shown on sheets 1 of 4 & 2 of 4
 (Pacific version shown on sheets 3 of 4 & 4 of 4)

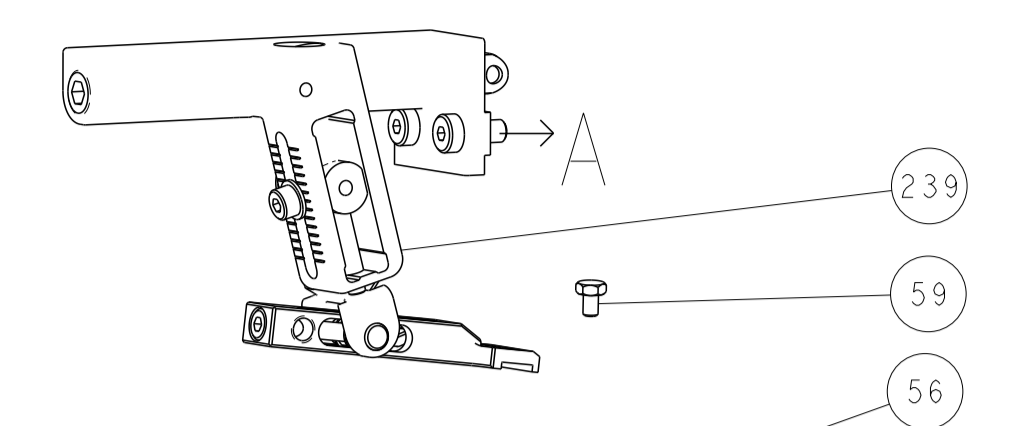
SET UP GAUGE 2119599-1	LOC A	DIST 66	REVISIONS			
P	LTN	DESCRIPTION	DATE	OWN	APVD	
C1		ECR-16-015428	8NOV2016	RS	LZ	
D		ECR-16-016219	16NOV2016	YY	TE	
E		ECR-16-018246	29DEC2016	TB	CT	
F		ECR-17-002629	22FEB2017	TB	GB	

1	1	-	1	1	1	8-21084-0	O-RING, .676 ID, .070 DIA. MAT.	252
-	-	-	-	-	1	2119640-1	PUSH ROD, AIR FEED	250
-	-	-	-	-	1	1803259-1	BUSHING, FLANGED	249
-	-	-	-	-	1	2119641-1	FEED CAM, AIR FEED	248
-	1	1	-	1	1	2119798-1	DETENT PIN	247
-	1	1	-	1	1	1-22279-3	SPRING, COMPRESSION	246
-	-	-	1	-	-	2119758-1	RAM, AMP STYLE, SIDE FEED, NON-ADJ.	245
-	1	1	1	1	1	7-18023-7	SCR, SKT HD CAP M3 X 4.0	241
-	-	-	2	2	-	2168400-6	SHCS, LOW HEAD, RoHS, M5 X 16	240
-	-	-	-	-	1	2119580-1	MECHANICAL FEED ASSEMBLY	239
-	-	-	-	-	1	2063440-1	AIR FEED MODULE	238
-	-	-	1	1	-	2119740-2	TAG, IDENTIFICATION	213
-	-	-	1	1	-	1901094-3	SPACER, FEEDER	198
-	2	-	-	-	2	21045-3	RING, RETAIN, EXTERN, 3/16 CRESCENT	172
-	1	1	1	1	1	994969-1	MAGNET, RARE EARTH HIGH ENERGY	166
-	REF	REF	REF	REF	REF	994970-2	COUNTER, MAGNETIC	164
-	1	-	-	-	1	240638-1	SPRING, FEED FINGER	163
-	1	-	-	-	1	3-23627-7	PIN, RETAIN, GRVD, 3/16 X .854	137
-	1	-	-	-	1	2119799-1	HOLDER, FEED FINGER, AF	136
-	-	-	REF	REF	-	SEE NOTE 4	MEMORY CHIP, PROGRAMMED	135
-	-	-	1	1	-	1633743-1	SERVO FEED LATCH ASM	133
-	1	1	1	1	1	1-18028-2	WASHER, FLAT, REG M4	119
-	-	-	REF	REF	-	2119944-1	FEED FINGER ASSEMBLY,SF	117
-	1	1	1	1	1	2119955-1	ASSY, LUBRICATOR, SIDE FEED	113
-	1	1	1	1	1	455888-4	SPACER, CRIMPER	82
-	1	1	1	1	1	2119956-1	DOCUMENTATION PACKAGE	71
-	1	1	1	1	1	2119791-3	DEPRESSOR, WIRE	70
-	1	1	1	1	1	2119943-1	WASHER, SPACER	69
-	1	1	-	-	1	2119740-1	TAG, IDENTIFICATION	67
-	2	2	2	2	2	2168078-1	SCREW, DRIVE, RH, RoHS, 2 x .188	66
-	1	1	-	-	1	2119793-1	LIMITER, ADJUSTMENT BOLT	63
-	3	3	-	3	3	992763-5	SCR, SET, SOC, CONE POINT, M3 X 4.0	62
-	1	1	1	1	1	2079383-4	SCR, BHSC, RoHS (M4 X 8)	60
-	1	-	-	-	1	5-18022-5	SCR, HEX HD CAP, M4 X 6.0	59
-	1	-	-	-	1	1338685-1	PAWL, FEED	56
-	4	4	4	4	4	2168400-1	SHCS, LOW HEAD, RoHS, M4 X 12	54
-	2	2	2	2	2	2168083-3	SCR, SKT HD CAP, RoHS, M4 X 12.0	53
-	1	1	1	1	1	5018030-1	NUT, HEX, REG, RoHS, M3	52
-	1	1	1	1	1	811242-5	BUMPER, HOLD DOWN	51
-	1	1	1	1	1	690753-2	SPACER, TONKER	50
-	-	-	-	-	1	18023-9	SCR, SKT HD CAP M4 X 6.0	49
-	-	-	-	-	1	2119652-1	FEED CAM, PRE FEED	48
-	-	-	-	-	1	2119653-1	FEED CAM, POST FEED	47
-	1	1	1	1	1	2119656-9	APPLICATOR BASIC ASSEMBLY, SF	46
-	1	1	-	-	1	2119370-1	RAM, AMP STYLE, SIDE FEED	44
-	1	1	1	1	1	2079383-7	SCR, BHSC, RoHS (M8 X 25)	41
-	1	1	-	-	1	2119645-1	DISC, NUMBERED FA WIRE ADJUSTMENT	40
-	1	1	-	-	1	2119957-1	APPLICATOR SHIM PACK	39
-	1	1	1	1	1	2119644-1	RAM WASHER, PRECISION	38
-	1	1	1	1	1	2119085-1	FA HEAD, ATLANTIC STYLE	37
-	1	1	-	-	1	2119092-1	BOLT, ADJUSTMENT	35
-	1	1	1	1	1	2-1752356-5	SUPPORT, TERMINAL	34
-	2	2	2	2	2	2079383-5	SCR, BHSC, RoHS (M4 X 20)	33
-	1	1	1	1	1	2161328-1	HEX HEAD, FLANGED, M5 X 8mm LONG	32
-	1	1	1	1	1	1320908-2	SPACER, STRIP GUIDE	30
-	1	1	1	1	1	2119959-1	ASSEMBLY, STRIP GUIDE	29
-	1	1	1	1	1	1320928-2	STRIP GUIDE	24
-	1	1	1	1	1	2168083-2	SCR, SKT HD CAP, RoHS, M4 X 8.0	21
-	1	1	1	1	1	1-18028-2	WASHER, FLAT, REG M4	20
-	1	1	1	1	1	2119533-4	STRIPPER, SIDE FEED	19
-	1	1	1	1	1	2119806-1	INSERT, SHEAR	13
-	1	1	1	1	1	5-22279-1	SPRING, COMPRESSION	12
-	1	1	1	1	1	1-356885-4	STOP, SHEAR	11
-	1	1	1	1	1	2119805-1	SHEAR HOLDER, FRONT	10
-	1	1	1	1	1	1803418-2	FLOATING SHEAR, MINI COAX FRONT	9
1	1	1	1	1	1	9-1633933-8	ANVIL, COMBINATION	8
-	1	1	1	1	1	1-240641-9	SPACER	7
-	-	-	-	-	-	-	-	6
-	1	1	1	1	1	2119757-1	DEPRESSOR, SHEAR	5
-	-	-	-	-	-	-	-	4
-	-	-	-	-	-	-	-	3
-	-	-	-	-	-	-	-	2
1	1	1	1	1	1	3-1803224-7	CRIMPER, WIRE	1

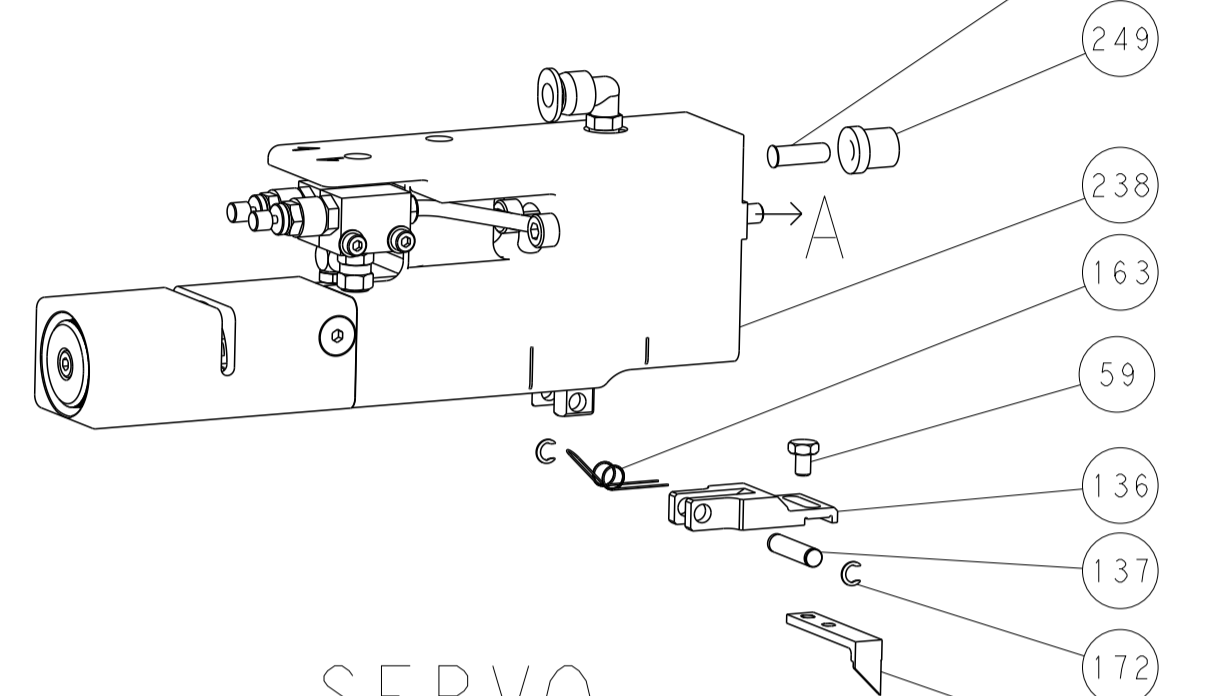
DIMENSIONS: mm		TOLERANCES UNLESS OTHERWISE SPECIFIED:		OWN R.O. WILSON	11OCT2013	TE Connectivity Harrisburg, PA 17105-3608
		0 PLC ± 1 PLC ± 2 PLC ± 3 PLC ± 4 PLC ± ANGLES ±		CHK K. J. STAKEM	17OCT2013	
MATERIAL		FINISH		APVD T. L. ELBIN	18OCT2013	NAME Ocean Side Feed Applicator
CUSTOMER DRAWING		SCALE 1:2		SHEET 1 OF 4		REV F

LOC		DIST		REVISIONS			
A	66	P	LTM	DESCRIPTION	DATE	OWN	APVD
-	-	-	-	SEE SHEET 1	-	-	-

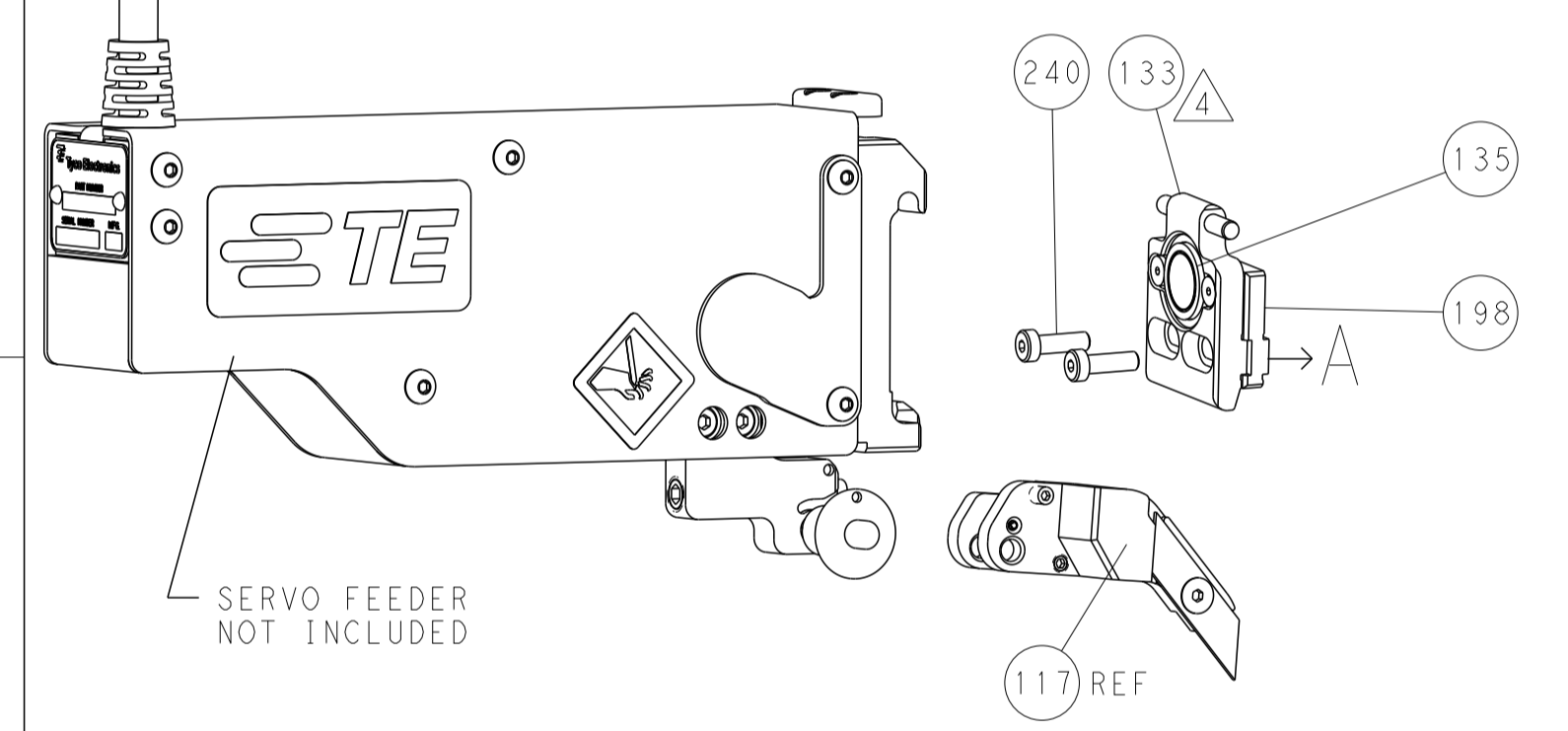
FEED TYPE MECHANICAL



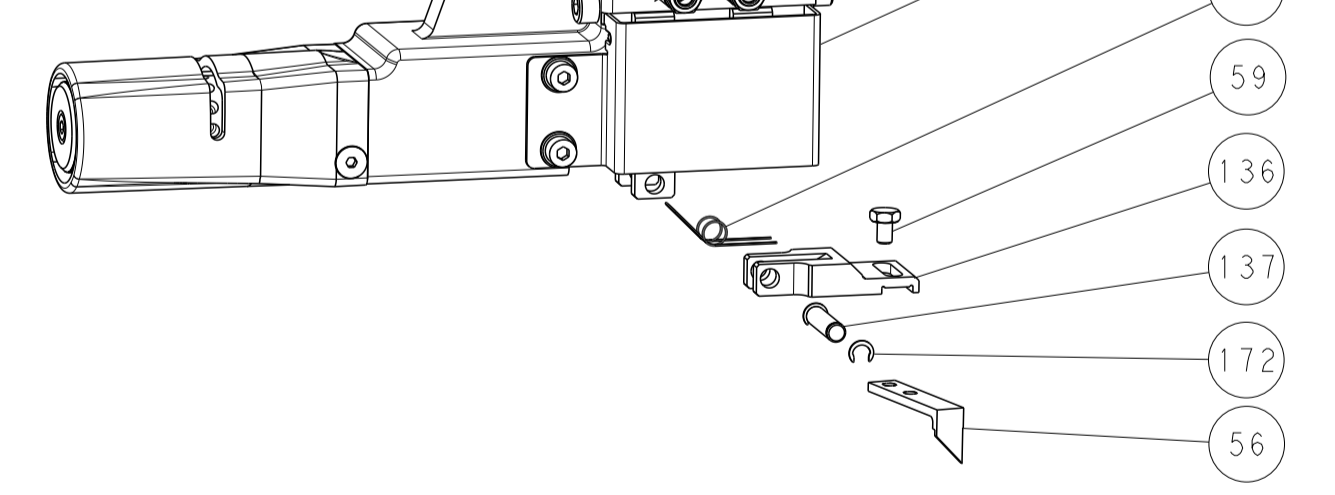
PNEUMATIC



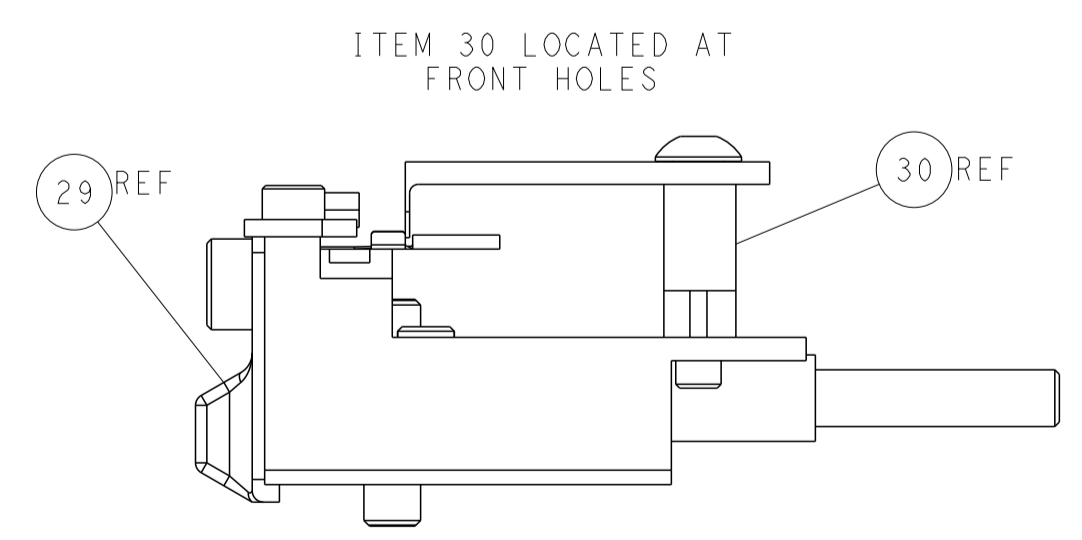
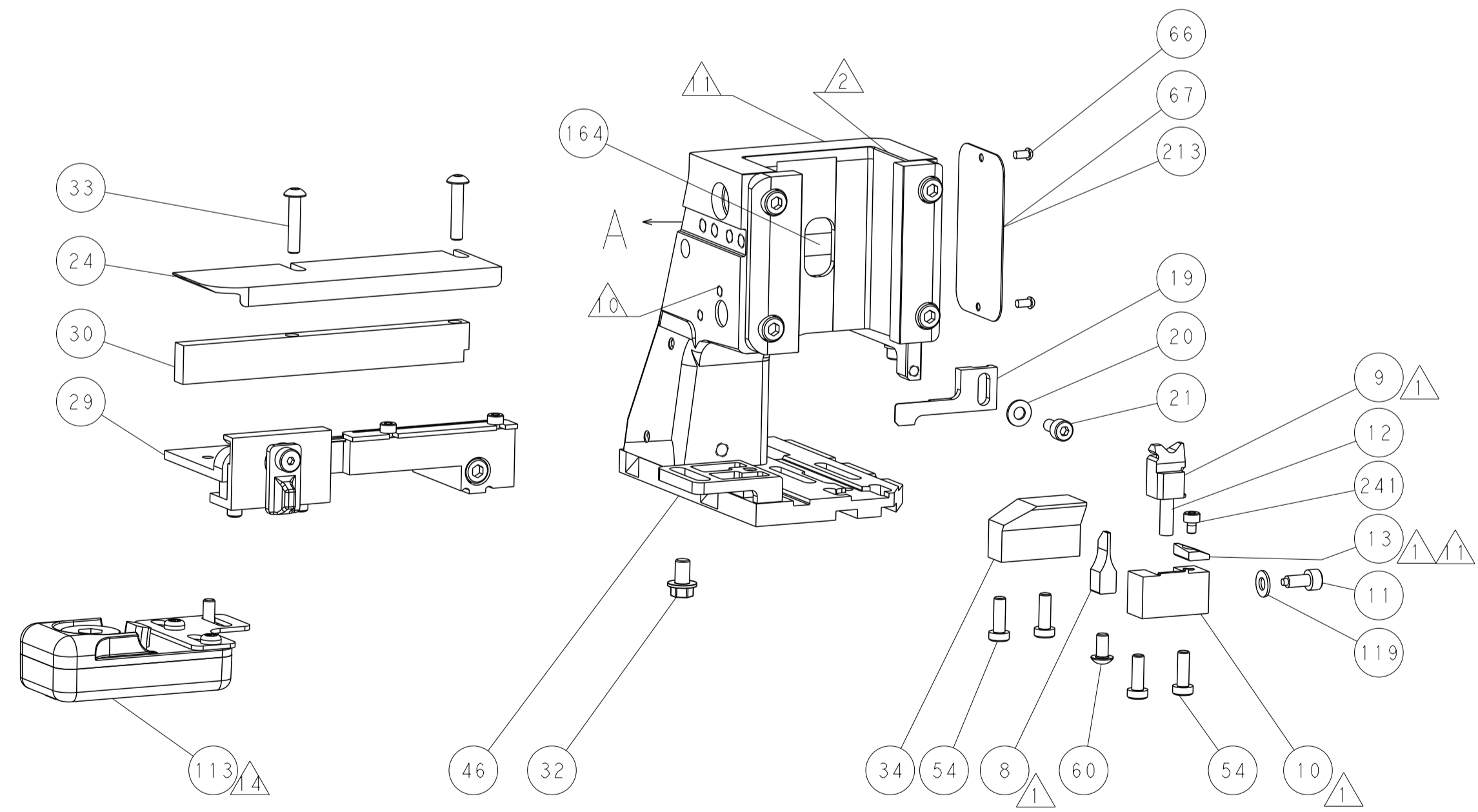
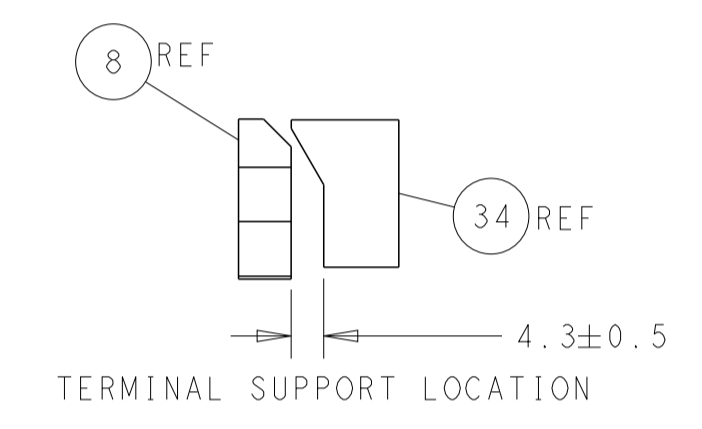
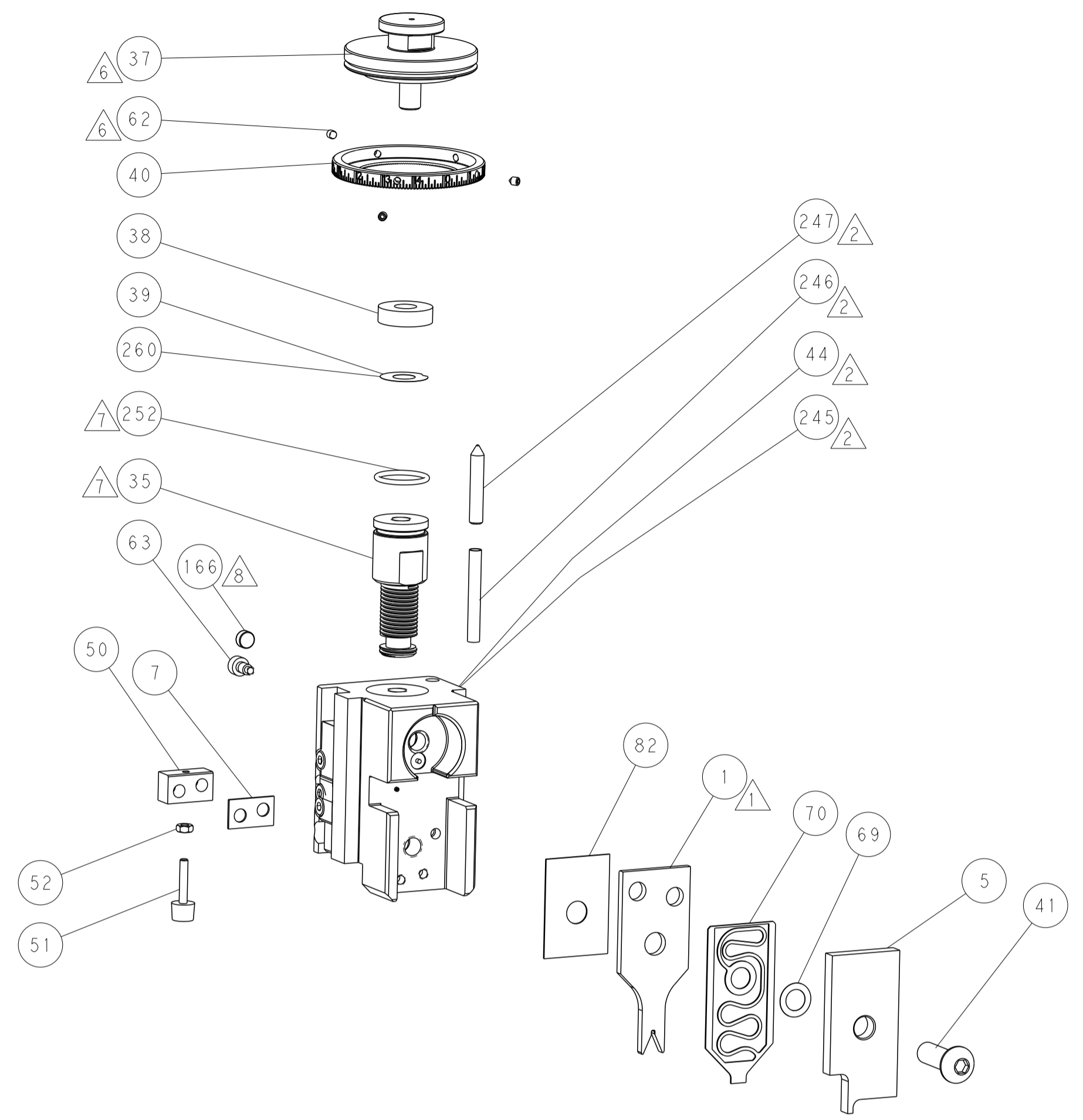
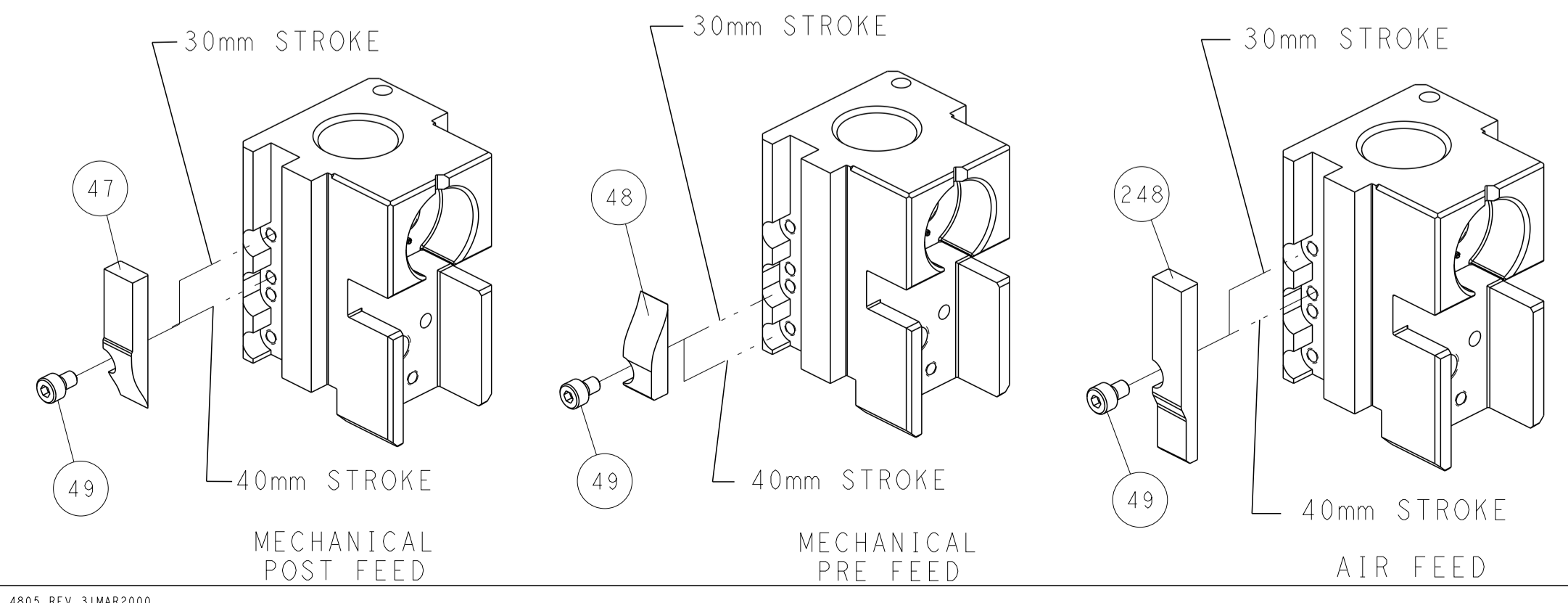
SERVO LATCH PLATE



DOUBLE ACTING PNEUMATIC WITH SENSORS



CAM POSITIONS



ATLANTIC VERSION
 Shown on sheets 1 of 4 & 2 of 4
 (Pacific version shown on sheets 3 of 4 & 4 of 4)

DIMENSIONS:		TOLERANCES UNLESS OTHERWISE SPECIFIED:		DWG: R.O. WILSON 11OCT2013		TE Connectivity	
mm	0 PLC ±	1 PLC ±	2 PLC ±	3 PLC ±	4 PLC ±	5 PLC ±	Harrisburg, PA 17105-3608
MATERIAL:		FINISH:		CHK: K.J. STAKEM 17OCT2013		NAME: Ocean Side Feed Applicator	
				APVD: T.L. ELBIN 18OCT2013		PRODUCT SPEC:	
				APPLICATION SPEC:		SIZE: A1	
				WEIGHT:		CAGE CODE: 00779	
				CUSTOMER DRAWING:		DRAWING NO: C=2266046	
				SCALE: 1:2		SHEET 2 OF 4	
						REV F	

PACIFIC VERSION TERMINATOR INTERFACE ADAPTER	PART NUMBER	REVISION	DESCRIPTION	FEED TYPE	APPLICATOR STYLE CONVERSION CHART							
					CONVERT TO	PART NUMBERS REQUIRED						
	2-2266046-1	F	FINE CRIMP HEIGHT ADJUST	MECHANICAL	PNEUMATIC FEED	2119950-1	1338685-1	5-18022-5	2119641-2	2119799-1	2063440-1	
					SERVO LATCH PLATE	2119951-1	-	8-2266046-5	1901094-3	1-1752354-6	2168400-6 (QUANTITY 2)	
					SMART APPLICATOR	2161326-1	-	8-2266046-4	-	-	-	
					DOUBLE ACTING	2119950-2	1338685-1	5-18022-5	-	2119799-1	2063440-1	
					MECHANICAL FEED	2119949-1	1338685-1	5-18022-5	2119653-2	-	-	
					SERVO LATCH PLATE	2119951-1	-	8-2266046-5	1901094-3	1-1752354-6	2168400-6 (QUANTITY 2)	
	2-2266046-2	F	FINE CRIMP HEIGHT ADJUST	PNEUMATIC	SMART APPLICATOR	2161326-1	-	8-2266046-4	-	-	-	-
					DOUBLE ACTING	2119950-2	1338685-1	5-18022-5	-	2119799-1	2063440-1	
					MECHANICAL FEED	2119949-1	1338685-1	5-18022-5	2119653-2	-	-	
					SERVO LATCH PLATE	2119951-1	-	8-2266046-5	1901094-3	1-1752354-6	2168400-6 (QUANTITY 2)	
					PNEUMATIC FEED	2119950-1	1338685-1	5-18022-5	2119641-2	2119799-1	2063440-1	
					DOUBLE ACTING	2119950-2	1338685-1	5-18022-5	-	2119799-1	2063440-1	
2-2266046-5	F	FINE CRIMP HEIGHT ADJUST	SERVO LATCH PLATE	MECHANICAL FEED	2119949-1	1338685-1	5-18022-5	2119653-2	-	-	-	
				PNEUMATIC FEED	2119950-1	1338685-1	5-18022-5	2119641-2	2119799-1	2063440-1		
				DOUBLE ACTING	2119950-2	1338685-1	5-18022-5	-	2119799-1	2063440-1		
2-2266046-7	F	FINE CRIMP HEIGHT ADJUST	NONE	MECHANICAL FEED	2119949-1	1338685-1	5-18022-5	2119653-2	-	2168400-6 (QUANTITY 2)		
				PNEUMATIC FEED	2119950-1	1338685-1	5-18022-5	2119641-2	2119799-1	2063440-1		
				SERVO LATCH PLATE	2119951-1	-	8-2266046-5	1901094-3	1-1752354-6	2168400-6 (QUANTITY 2)		
4-2266046-2	F	FINE CRIMP HEIGHT ADJUST	DOUBLE ACTING PNEUMATIC WITH SENSORS	SMART APPLICATOR	2161326-1	-	8-2266046-4	-	-	2168400-6 (QUANTITY 2)		
				MECHANICAL FEED	2119949-1	1338685-1	5-18022-5	2119653-2	-	2168400-6 (QUANTITY 2)		
				PNEUMATIC FEED	2119950-1	1338685-1	5-18022-5	2119641-2	2119799-1	2063440-1		
7-2266046-7	F	CRIMP TOOLING KIT	-	MECHANICAL FEED	2119949-1	1338685-1	5-18022-5	2119653-2	-	2168400-6 (QUANTITY 2)		
				PNEUMATIC FEED	2119950-1	1338685-1	5-18022-5	2119641-2	2119799-1	2063440-1		
				SERVO LATCH PLATE	2119951-1	-	8-2266046-5	1901094-3	1-1752354-6	2168400-6 (QUANTITY 2)		
7-2266046-7	F	CRIMP TOOLING KIT	-	SMART APPLICATOR	2161326-1	-	8-2266046-4	-	-	2168400-6 (QUANTITY 2)		
				MECHANICAL FEED	2119949-1	1338685-1	5-18022-5	2119653-2	-	2168400-6 (QUANTITY 2)		
				PNEUMATIC FEED	2119950-1	1338685-1	5-18022-5	2119641-2	2119799-1	2063440-1		

APPLICATOR DATA		
CRIMP	SIZE	TYPE
WIRE	1.07 mm [.042]	F
INSUL	-	-

APPLICATOR INSTRUCTIONS 408-10389

TERMINAL DATA: TE TERMINAL		TE CRIMP SPECIFICATION	
TERMINAL NAME: CENTER CONTACT, 180 DEGREE, FAKRA			
WIRE STRIP LENGTH		INSULATION DIAMETER RANGE	
2.86-3.36 mm [.113-.132 1N]		Ø	
TERMINAL APPLICATION SPECIFICATION	114-32145	-	-
TERMINALS APPLIED			
TE TERMINAL	TE TERMINAL	TE TERMINAL	TE TERMINAL
2203260-4	1-2203260-2	2203270-4	1-2203270-2

WIRE SIZE	CRIMP HEIGHT WI_CRIMP_UNITS	CRIMP HEIGHT REFERENCE SETTING
1.5 DS-OFB	0.73+/-0.03 [.029+/-0.001]	9.4
RG-174	0.72+/-0.03 [.028+/-0.001]	9.2
RG-316	0.72+/-0.03 [.028+/-0.001]	9.2
DACAR 363	0.71+/-0.03 [.028+/-0.001]	9.3
RG-174 LL	0.69+/-0.03 [.027+/-0.001]	9.5
1.5 DS-GEC	0.67+/-0.03 [.026+/-0.001]	9.7
1.5 DS-GXC-SP	0.64+/-0.03 [.025+/-0.001]	10

- 1. RECOMMENDED SPARE PARTS
- 2. GREASE BEARING SURFACES LIGHTLY
- 3. LUBRICATE DAILY PER THE APPLICATOR INSTRUCTION SHEET SUPPLIED WITH THE APPLICATOR.
- 4. APPLICATOR SPECIFIC DATA TO BE ENTERED INTO BLANK MEMORY CHIP AT ASSEMBLY. SEE BELOW FOR PART NUMBER:
 MECHANICAL FEED WITH "SMART APPLICATOR" CONVERSION: 8-2266046-4
 PNEUMATIC FEED WITH "SMART APPLICATOR" CONVERSION: 8-2266046-4
 SERVO FEED WITH "FINE CRIMP HEIGHT ADJUST": 8-2266046-5
- 5. ADJUSTMENT OF THE STRIPPER MAY BE REQUIRED WHEN MOVING THE APPLICATOR BETWEEN BENCH AND LEADMAKER APPLICATIONS.
- 6. APPLY PART NUMBER 1-23419-5 LOCTITE TO THREADS OF ITEM 62.
- 7. GREASE THREADS, GROOVE AND O-RING ON ITEMS 139 & 152.
- 8. MAGNET MUST BE ORIENTED CORRECTLY IN ORDER TO PROPERLY ACTUATE THE COUNTER.
- 9. CRIMP HEIGHT REFERENCE SETTING WAS THE SETTING USED WHEN THE APPLICATOR WAS QUALIFIED AT THE FACTORY. ADJUSTMENT MAY BE NECESSARY WHEN RUNNING APPLICATOR IN THE FIELD.
- 10. SPARE FEED CAM STORAGE LOCATION REFER TO INSTRUCTION SHEET FOR ADDITIONAL INFORMATION.

- 11. TO CONVERT THE APPLICATOR TO A NON-CARRIER CUTTING STYLE, REMOVE ITEM 13 AND ATTACH TO THE LOCATION ON BACK SIDE OF THE HOUSING. REFER TO INSTRUCTION SHEET FOR ADDITIONAL INFORMATION.
- 12. THIS APPLICATOR IS EQUIPPED WITH THE DOUBLE ACTING PNEUMATIC FEED WITH SENSORS AND IS APPLICATION SPECIFIC AND DOES NOT REQUIRE ITEMS 49 & 151.
- 13. TERMINAL LUBRICANT IS RECOMMENDED.

***WARNING**
 ON INSTALLATION, SET WIRE DISC, ITEM 40 TO LARGEST WIRE SIZE SETTING. USE OF SETTINGS BELOW MINIMUM REQUIRED CRIMP HEIGHT SETTING WILL CAUSE DAMAGE TO CRIMP TOOLING.

PACIFIC VERSION
 Shown on sheets 3 of 4 & 4 of 4
 (Atlantic version shown on sheets 1 of 4 & 2 of 4)

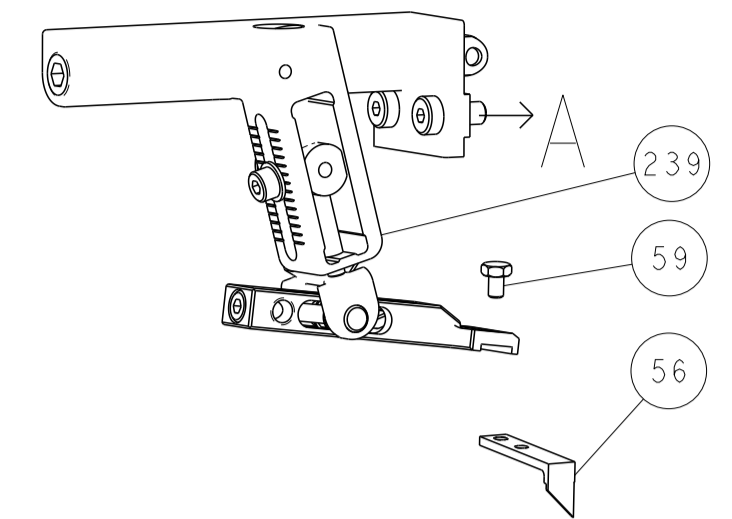
SET UP GAUGE	LOC	DIST	REVISIONS					
2119599-1	A	66	P	LTN	DESCRIPTION	DATE	OWN	APVD
-	-	-	-	-	SEE SHEET 1	-	-	-

-	1	-	-	-	-	1803430-1	AIR FEED MODULE	290
-	1	1	1	1	1	2119782-1	FINE ADJUST HEAD ASM, PACIFIC STYLE	251
-	-	-	-	1	-	2119640-1	PUSH ROD, AIR FEED	250
-	-	-	-	1	-	1803259-1	BUSHING, FLANGED	249
-	1	1	1	1	1	1-22279-3	SPRING, COMPRESSION	246
-	1	1	1	1	1	7-18023-7	SCR, SKT HD CAP M3 X 4.0	241
-	-	-	2	-	-	2168400-6	SHCS, LOW HEAD, RoHS, M5 X 16	240
-	-	-	-	-	1	2119580-1	MECHANICAL FEED ASSEMBLY	239
-	-	-	-	1	-	2063440-1	AIR FEED MODULE	238
-	-	-	1	-	-	2119740-2	TAG IDENTIFICATION	213
-	-	-	1	-	-	1901094-3	SPACER, FEEDER	198
-	-	-	-	2	-	21045-3	RING, RETAIN, EXTERN, 3/16 CRESCENT	172
-	1	1	1	1	1	994969-1	MAGNET, RARE EARTH HIGH ENERGY	166
-	REF	REF	REF	REF	REF	994970-2	COUNTER, MAGNETIC	164
-	1	-	-	1	-	240638-1	SPRING, FEED FINGER	163
-	1	1	1	1	1	8-21084-1	O-RING, .801 ID, .070 DIA. MAT.	152
-	-	-	-	1	-	2119641-2	FEED CAM, AIR FEED	151
-	1	1	1	1	1	2119798-2	DETENT PIN	145
-	1	1	1	1	1	2079383-8	SCR, BHSC, RoHS (M4 X 16)	144
-	4	4	4	4	4	2168400-5	SHCS, LOW HEAD, RoHS, M4 X 20	143
-	-	-	-	-	1	2119653-2	FEED CAM, POST FEED	142
-	1	1	1	1	1	1-2119656-0	APPLICATOR BASIC ASSEMBLY, SF	141
-	1	1	1	1	1	2119650-1	RAM, ASIAN STYLE, SIDE FEED	140
-	1	1	1	1	1	2119092-2	BOLT, ADJUSTMENT	139
-	1	-	-	1	-	3-23627-7	PIN, RETAIN, GRVD, 3/16 X .854	137
-	-	-	-	1	-	2119799-1	HOLDER, FEED FINGER, AF	136
-	-	-	REF	-	-	-	MEMORY CHIP, PROGRAMMED	135
-	-	-	1	-	-	1633743-1	SERVO FEED LATCH ASM	133
-	1	1	1	1	1	1-18028-2	WASHER, FLAT, REG M4	119
-	-	-	REF	-	-	2119944-1	FEED FINGER ASSEMBLY, SF	117
-	1	1	1	1	1	2119955-1	ASSY, LUBRICATOR, SIDE FEED	113
-	1	1	1	1	1	455888-4	SPACER, CRIMPER	82
-	1	1	1	1	1	2119956-1	DOCUMENTATION PACKAGE	71
-	1	1	1	1	1	2119791-3	DEPRESSOR, WIRE	70
-	1	1	1	1	1	2119943-1	WASHER, SPACER	69
-	1	1	-	1	1	2119740-1	TAG IDENTIFICATION	67
-	2	2	2	2	2	2168078-1	SCREW, DRIVE, RH, RoHS, 2 x .188	66
-	1	1	1	1	1	2119793-1	LIMITER, ADJUSTMENT BOLT	63
-	3	3	3	3	3	992763-5	SCR, SET, SOC, CONE POINT, M3 X 4.0	62
-	1	-	-	1	1	5-18022-5	SCR, HEX HD CAP, M4 X 6.0	59
-	1	-	-	1	1	1338685-1	PAWL, FEED	56
-	2	2	2	2	2	2168083-3	SCR, SKT HD CAP, RoHS, M4 X 12.0	53
-	1	1	1	1	1	5018030-1	NUT, HEX, REG, RoHS, M3	52
-	1	1	1	1	1	811242-5	BUMPER, HOLD DOWN	51
-	1	1	1	1	1	690753-2	SPACER, TONKER	50
-	-	-	-	1	2	18023-9	SCR, SKT HD CAP M4 X 6.0	49
-	-	-	-	-	1	2119652-1	FEED CAM, PRE FEED	48
-	1	1	1	1	1	2079383-7	SCR, BHSC, RoHS (M8 X 25)	41
-	1	1	1	1	1	2119645-1	DISC, NUMBERED FA WIRE ADJUSTMENT	40
-	1	1	1	1	1	2119957-1	APPLICATOR SHIM PACK	39
-	1	1	1	1	1	2119644-1	RAM WASHER, PRECISION	38
-	1	1	1	1	1	2-1752356-5	SUPPORT, TERMINAL	34
-	2	2	2	2	2	2079383-5	SCR, BHSC, RoHS (M4 X 20)	33
-	1	1	1	1	1	2161328-1	HEX HEAD, FLANGED, M5 X 8mm LONG	32
-	1	1	1	1	1	1320908-2	SPACER, STRIP GUIDE	30
-	1	1	1	1	1	2119959-1	ASSEMBLY, STRIP GUIDE	29
-	1	1	1	1	1	1320928-2	STRIP GUIDE	24
-	1	1	1	1	1	2168083-2	SCR, SKT HD CAP, RoHS, M4 X 8.0	21
-	1	1	1	1	1	1-18028-2	WASHER, FLAT, REG M4	20
-	1	1	1	1	1	2119533-4	STRIPPER, SIDE FEED	19
-	1	1	1	1	1	2119806-1	INSERT, SHEAR	13
-	1	1	1	1	1	5-22279-1	SPRING, COMPRESSION	12
-	1	1	1	1	1	1-356885-4	STOP, SHEAR	11
-	1	1	1	1	1	2119805-1	SHEAR HOLDER, FRONT	10
-	1	1	1	1	1	1803418-2	FLOATING SHEAR, MINI COAX FRONT	9
-	1	1	1	1	1	9-1633933-8	ANVIL, COMBINATION	8
-	1	1	1	1	1	1-240641-9	SPACER	7
-	-	-	-	-	-	-	-	6
-	1	1	1	1	1	2119757-1	DEPRESSOR, SHEAR	5
-	-	-	-	-	-	-	-	4
-	-	-	-	-	-	-	-	3
-	-	-	-	-	-	-	-	2
-	1	1	1	1	1	3-1803224-7	CRIMPER, WIRE	1

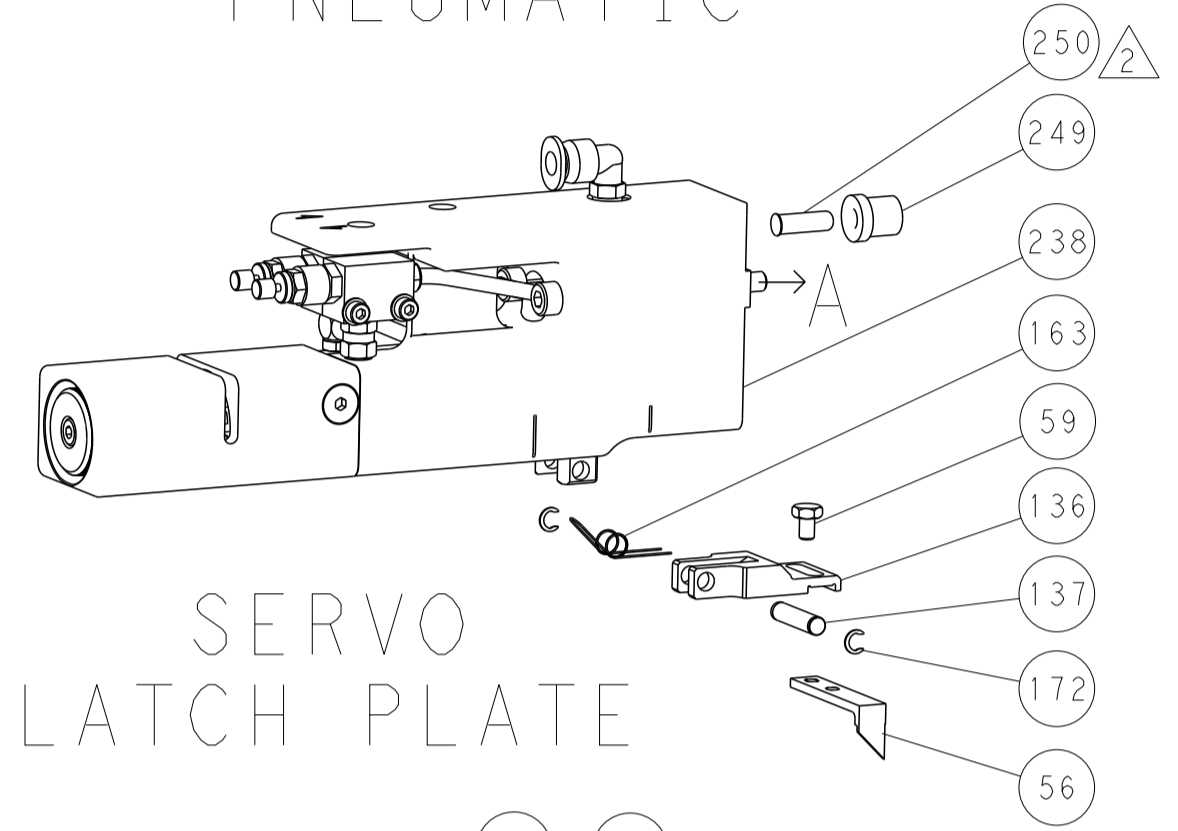
THIS DRAWING IS UNPUBLISHED. RELEASED FOR PUBLICATION. CHECK FOR CORRECTIONS TO BE MADE TO THE DRAWING. THE USER IS RESPONSIBLE FOR THE LATEST REVISION.	OWN	CHK	APVD	DATE	DESCRIPTION	ITEM NO
	R.O. WILSON	K.J. STAKEM	T.L. ELBIN	11OCT2013	17OCT2013	18OCT2013
DIMENSIONS:				TOLERANCES UNLESS OTHERWISE SPECIFIED:		
mm	0 PLC	±				
	1 PLC	±				
	2 PLC	±				
	3 PLC	±				
	4 PLC	±				
	ANGLES	±				
	FINISH	±				
MATERIAL						
CUSTOMER DRAWING				SCALE	SHEET	REV
				1:2	3 OF 4	F

LOC		DIST		REVISIONS			
A	66	P	LTM	DESCRIPTION	DATE	OWN	APVD
-	-	-	-	SEE SHEET 1	-	-	-

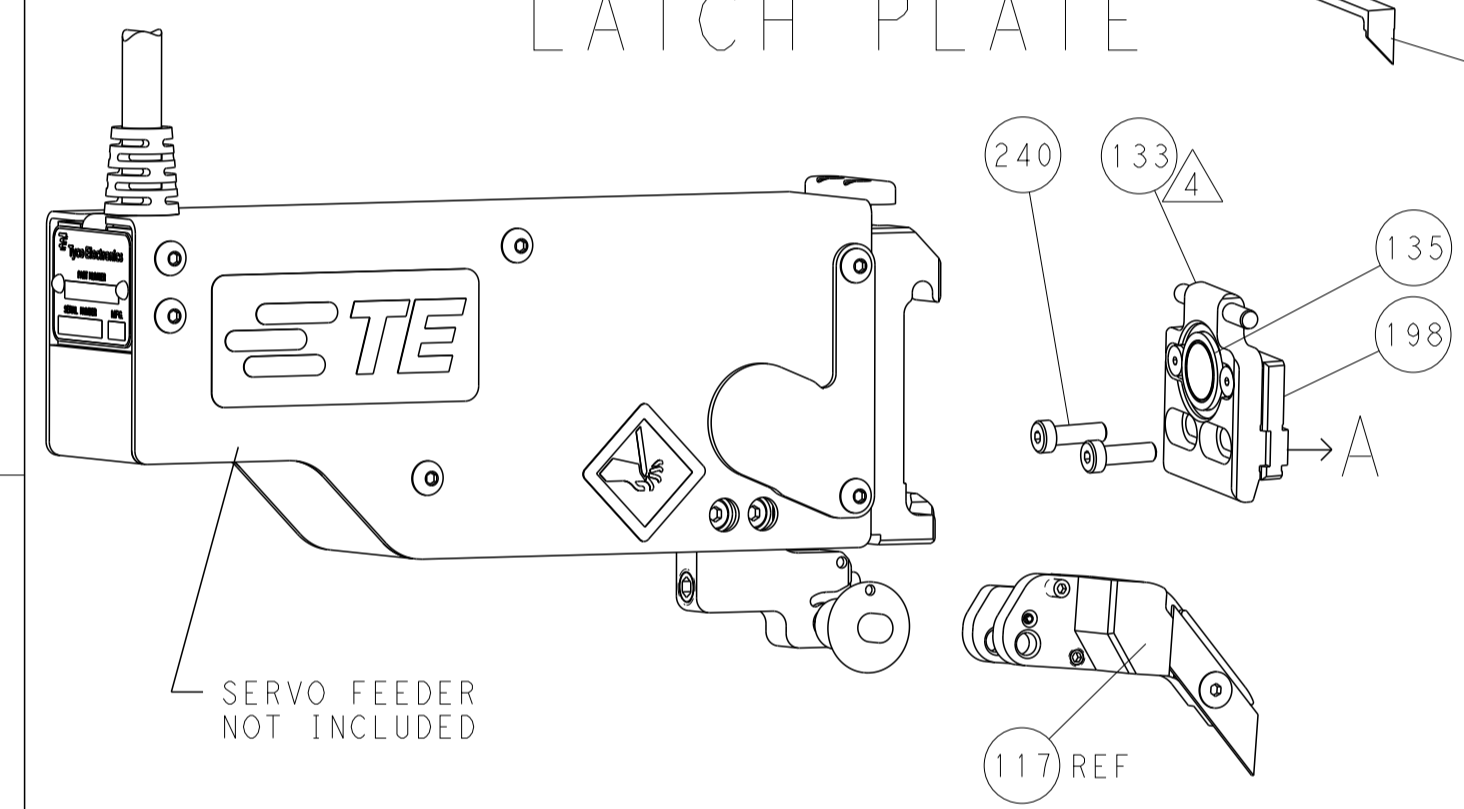
FEED TYPE MECHANICAL



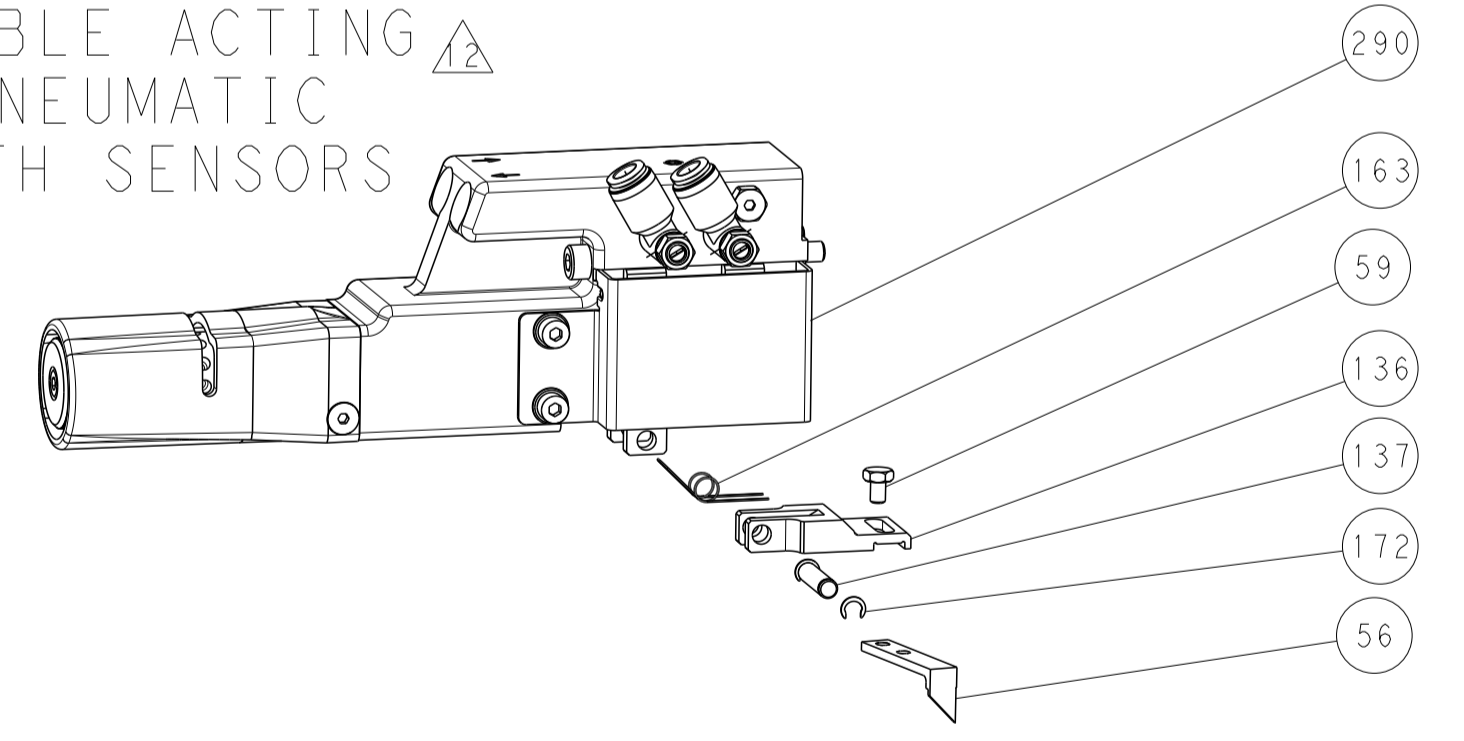
PNEUMATIC



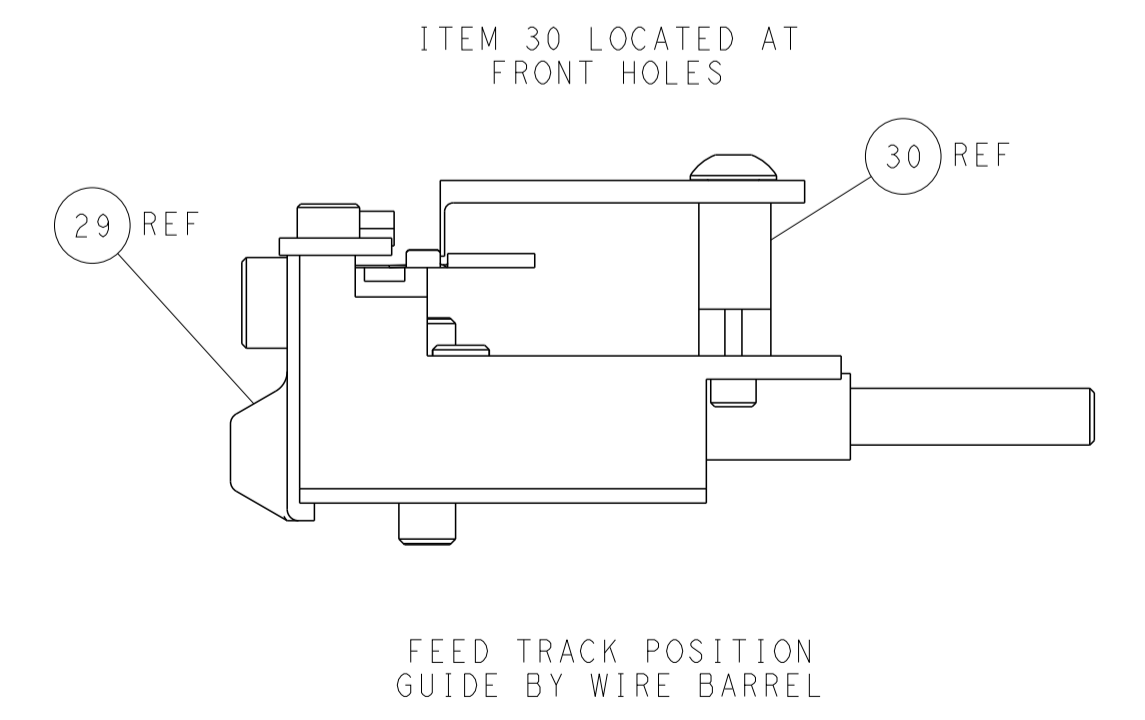
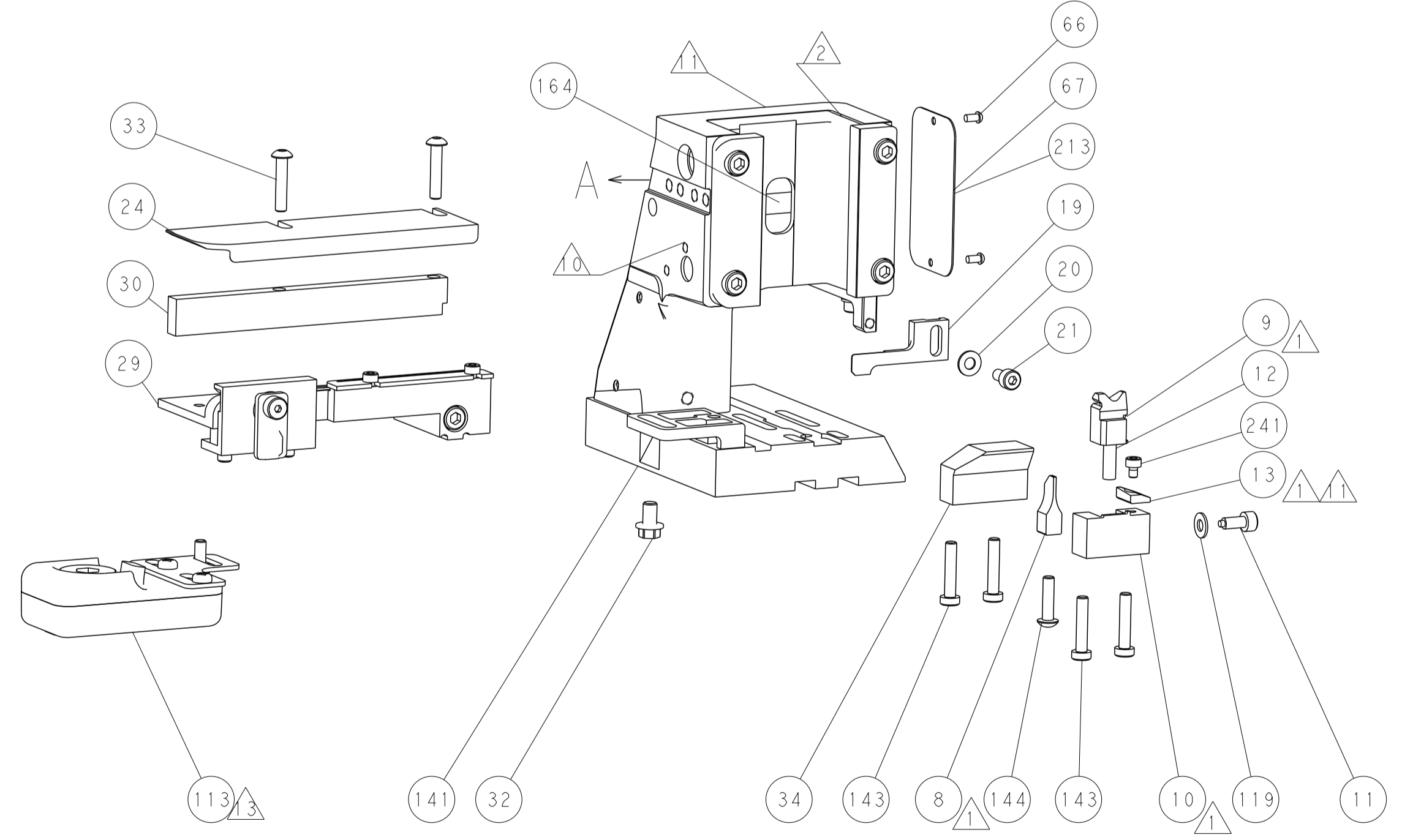
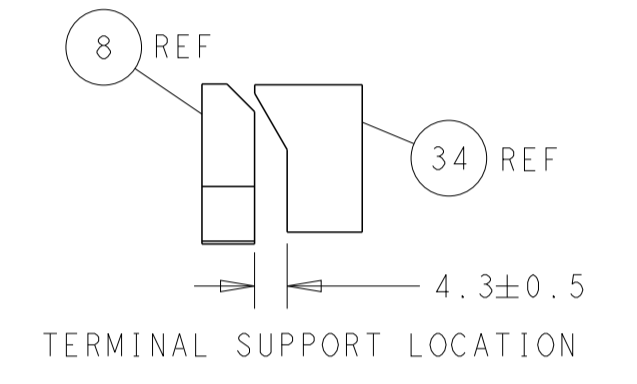
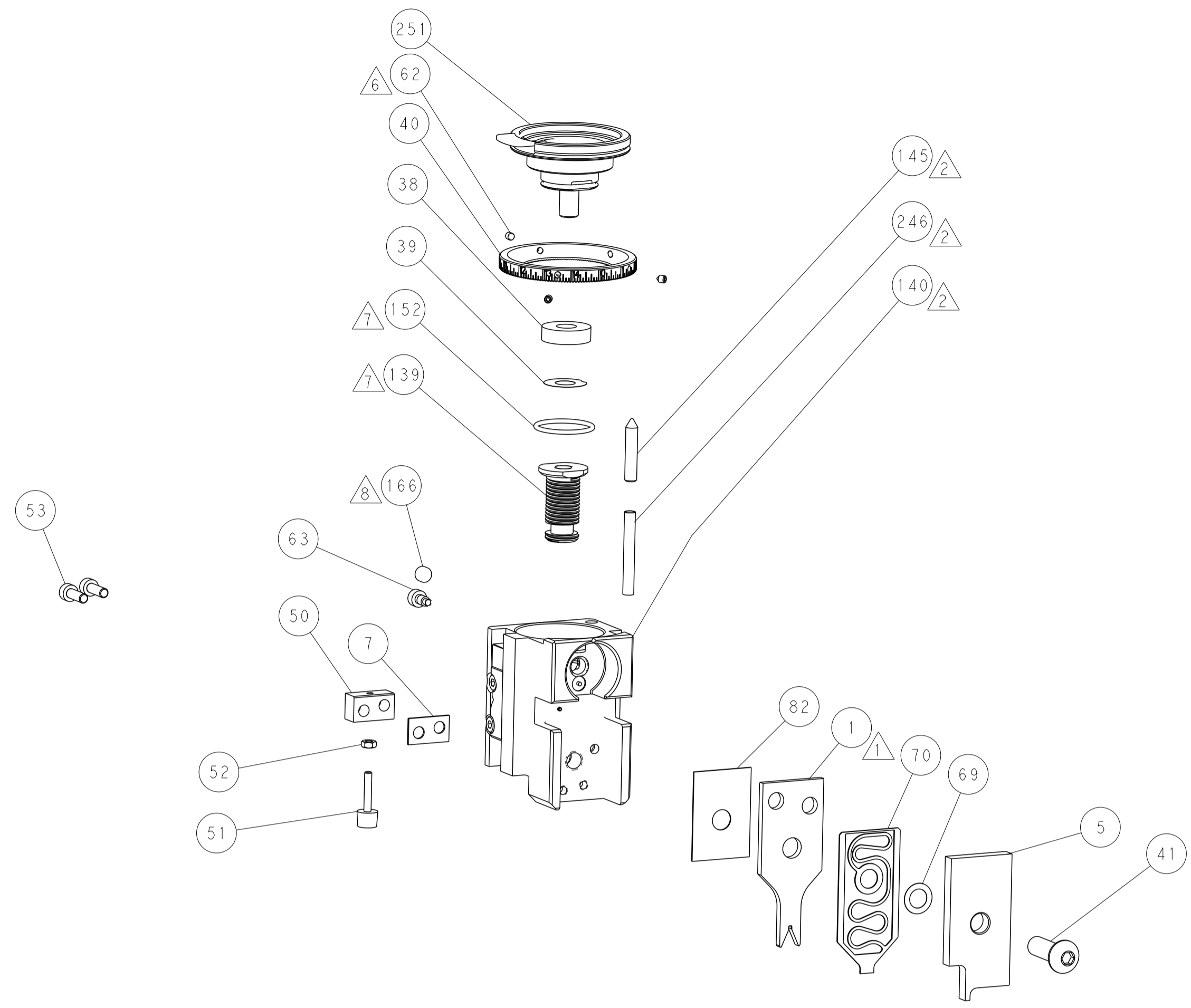
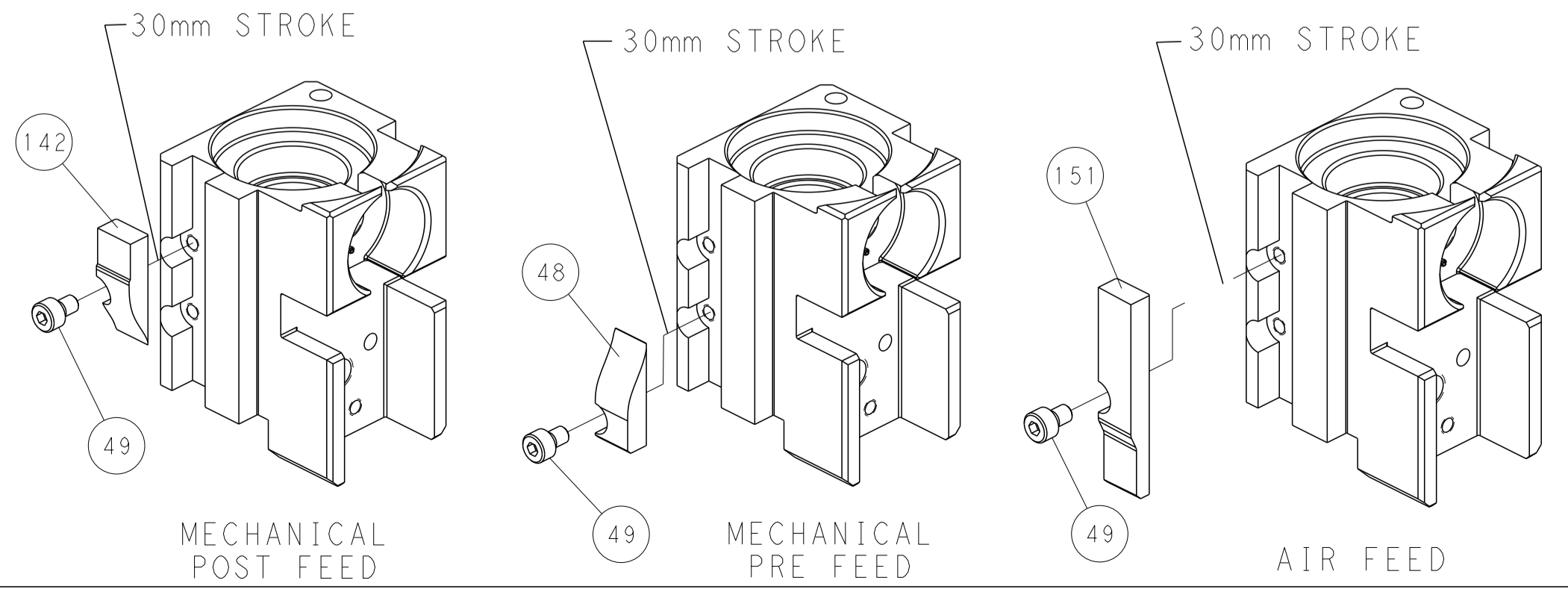
SERVO LATCH PLATE



DOUBLE ACTING PNEUMATIC WITH SENSORS



CAM POSITIONS



PACIFIC VERSION
 Shown on sheets 3 of 4 & 4 of 4
 (Atlantic version shown on sheets 1 of 4 & 2 of 4)

DIMENSIONS:		TOLERANCES UNLESS OTHERWISE SPECIFIED:		DWN R. O. WILSON 11OCT2013		TE Connectivity	
mm	0 PLC ±	1 PLC ±	2 PLC ±	CHK K. J. STAKEM 17OCT2013	Harrisburg, PA 17105-3608		
MATERIAL:		FINISH:		APVD T. L. ELBIN 18OCT2013		NAME	
				PRODUCT SPEC		Ocean Side Feed Applicator	
				APPLICATION SPEC		SIZE CAGE CODE DRAWING NO	
				WEIGHT		RESTRICTED TO	
				CUSTOMER DRAWING		A1 00779 C=2266046	
				SCALE 1:2		SHEET 4 OF 4 REV F	