

THIS DRAWING IS UNPUBLISHED.

RELEASED FOR PUBLICATION

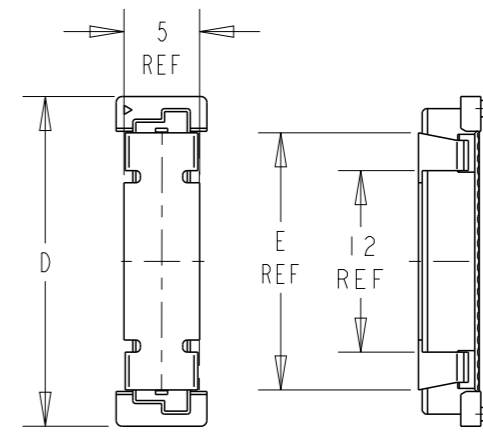
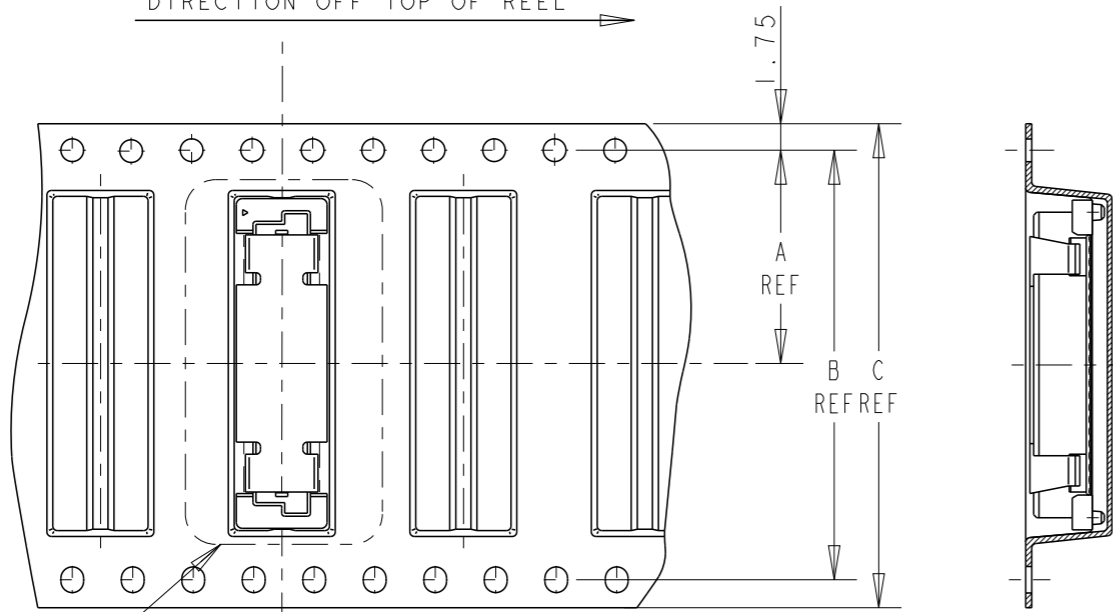
, 19 97 .

© COPYRIGHT 19 97

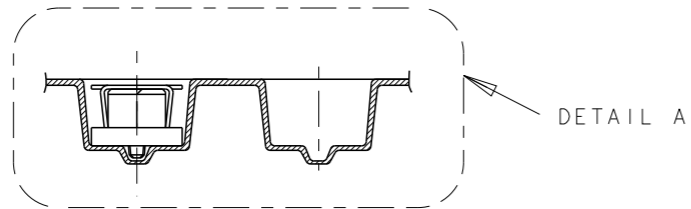
BY AMP INCORPORATED. ALL RIGHTS RESERVED.

LOC	DIST	REVISIONS					
		P	LTR	DESCRIPTION	DATE	DWN	APVD
DY	-	A2		REVISED PER ECR-13-004900	20MAR13	I.T	S.Y

DIRECTION OFF TOP OF REEL

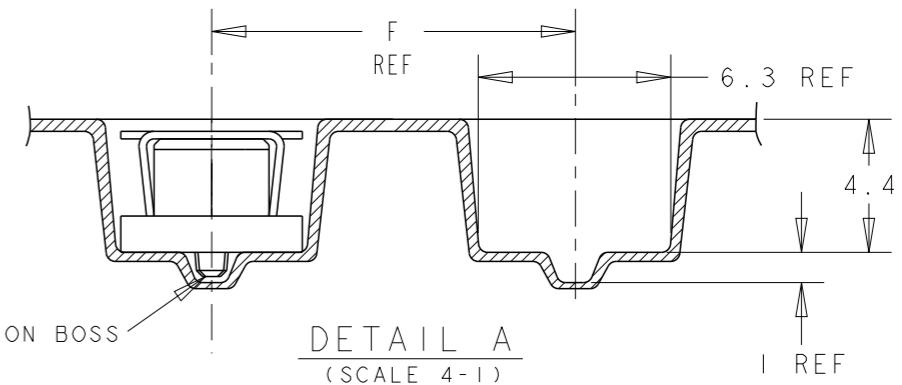


DETAIL B

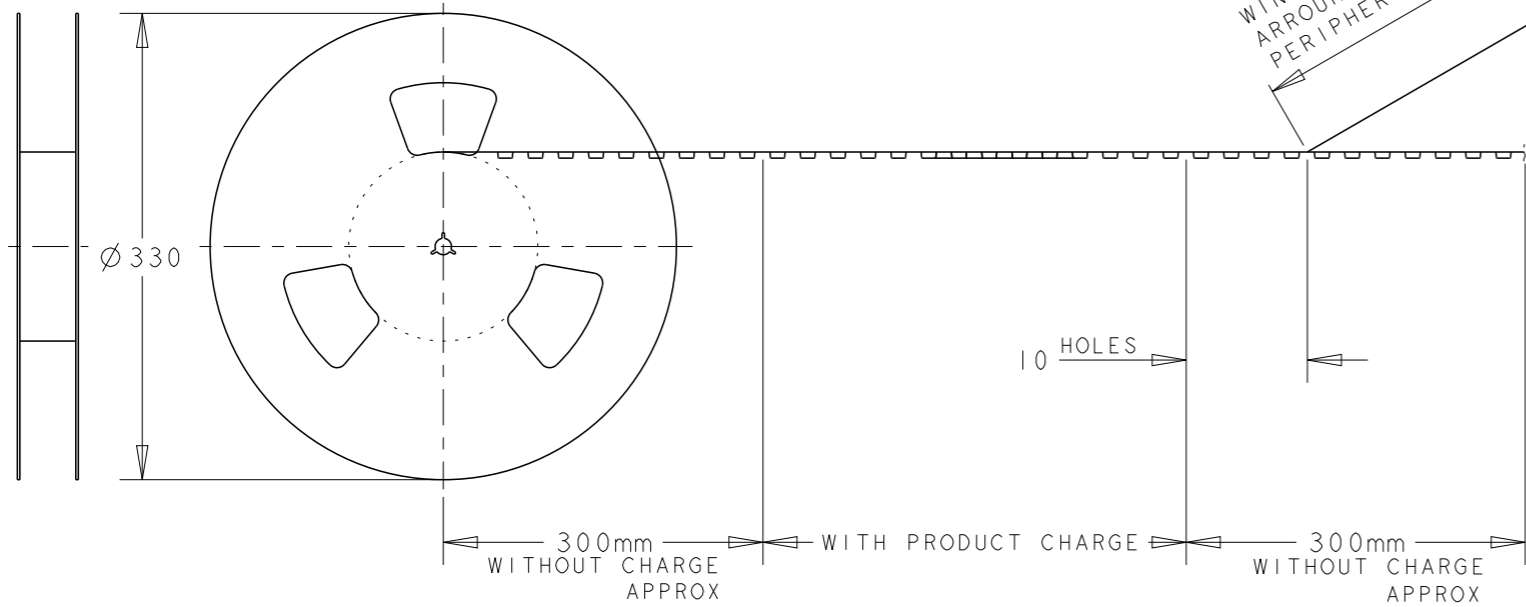


DETAIL A

WINDING THE COVER TAPE
AROUND THE OUTER
PERIPHERY IN A TURN.



DETAIL A (SCALE 4-1)



AVAILABLE	700	16	85.8	77.8	69.8	61.8	53.8	45.8	37.8	29.8	1000	12	17	21.8	32	28.4	14.2	40	6123000-1	5353999-1
			↑	↑	↑	↑	↑	↑	↑	↑	↑	↑	↑	↑	↑	↑	↑	↑	↑	↑
			85.8	104	100.4	50.2	200	1-	-0	1-	-0									
			77.8				180		-9		-9									
			69.8				160		-8		-8									
			61.8	88	84.4	42.2	140		-6		-6									
			53.8				120		-5		-5									
			45.8	72	68.4	34.2	100		-4		-4									
			37.8	56	52.4	26.2	80		-3		-3									
			29.8	44	40.4	20.2	60		-2		-2									
			1000	12	17	21.8	32	28.4	14.2	40	6123000-1	5353999-1								
TOOLING STATUS	QTY	F	E	D	C	B	A	POS	CONN P/N	PART NO.										

1 OBSOLETE PARTS: OBSOLETE CIS STREAMLINING PER D.RENAUD/D.SINISI

THIS DRAWING IS A CONTROLLED DOCUMENT FOR AMP INCORPORATED. IT IS SUBJECT TO CHANGE AND THE CONTROLLING ENGINEERING ORGANIZATION SHOULD BE CONTACTED FOR THE LATEST REVISION.

DWN FLORENCE TAN 16SEP04
CHK ERIC TNG
APVD SF LEONG
PRODUCT SPEC 108-5390
APPLICATION SPEC
WEIGHT
CUSTOMER DRAWING

STE TE Connectivity
NAME EMBOSS ASSY
FOR FH 0.8BTB CONNECTOR REC 5H
0.5 BOSS LENGTH (0.76µm GOLD)
SIZE A3 CAGE CODE 00779 DRAWING NO C-5353999
SCALE 2-1 SHEET 1 OF 1 REV A2