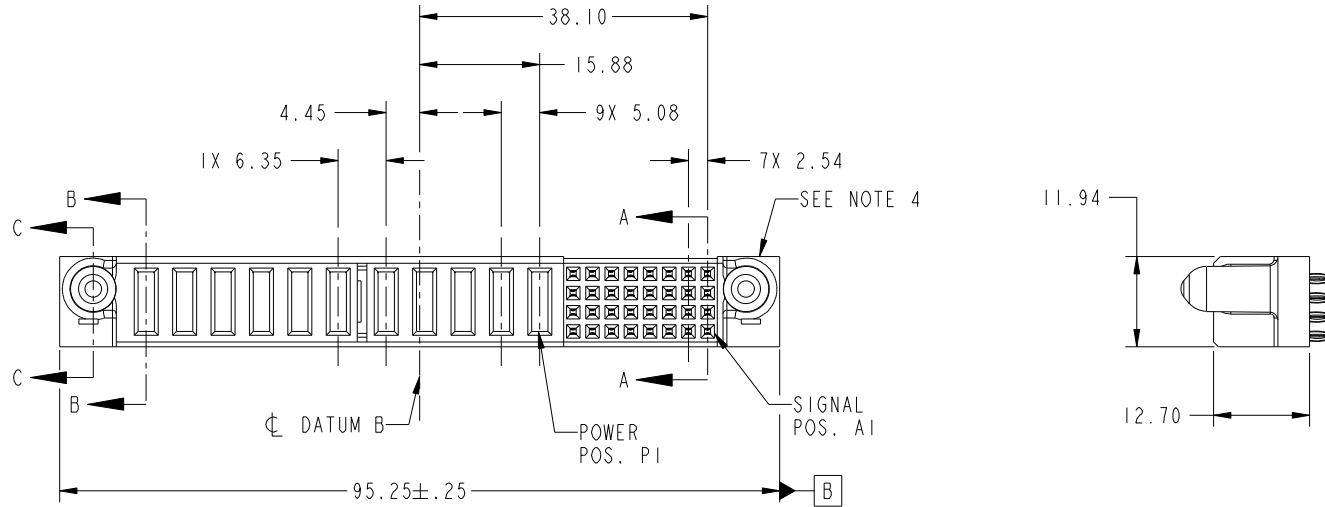


Tous droits strictement réservés. Reproduction ou communication a des tiers interdite sous quelque forme que ce soit sans autorisation écrite du propriétaire. Propriété de c.FCI. Droits de reproduction FCI.

All rights strictly reserved. Reproduction or issue to third parties in any form whatever is not permitted without written authority from the proprietor. Property of FCI. Copyright FCI.



PRODUCT NO. 51940-027-- NOTE: 3	ROWS D C B A	POWER										SIGNAL								E1												
		E2	P11	P10	P9	P8	P7	P6	P5	P4	P3	P2	P1	8	7	6	5	4	3		2	1										
			PC	PF	PF	PF	PF	PF	PC	PC	PC	PC	PC	F	F	F	F	F	F	F	F	F	F	F	F	F	F	F	F	F	F	



CODE	DIM "M" MATING LENGTH	CONTACT TYPE
F	[N/A]	SIGNAL
PC	[1.07]	POWER
PF	[2.34]	POWER

mat'l code				SEE NOTE		tolerances unless otherwise specified		CUSTOMER		FCI	
lir	ecn no.	dr	date	linear	0.X ± 0.5	COPY		projection		www.fciconnect.com	
A	V21874	CGD	12/11/02	linear	0.XX ± 0.25	title		title		32S + IIP	
B	DG05-0200	SJ	06/30/05	angles	0.XXX ± 0.10	product family		product family		VERTICAL PRESS FIT RECEPT	
C	DG07-0498	JW	09/12/08	angles	0° ± 2°	size		size		code	
				dr	C. DAILY	MM		MM		213	
				engr	M. MOSTOLLER	scale		scale		sheet	
				chr	M. MOSTOLLER	1:1		1:1		1 of 4	
				appd	M. MOSTOLLER						
sheet index	revision sheet	C	C	C	C						
		1	2	3	4						

A

A

B

B

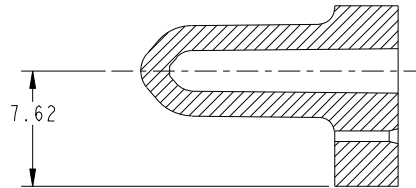
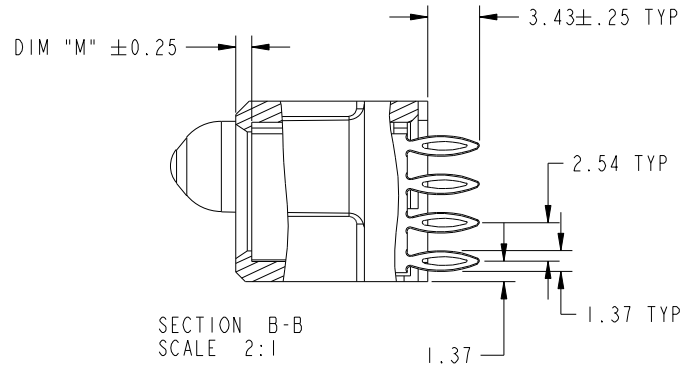
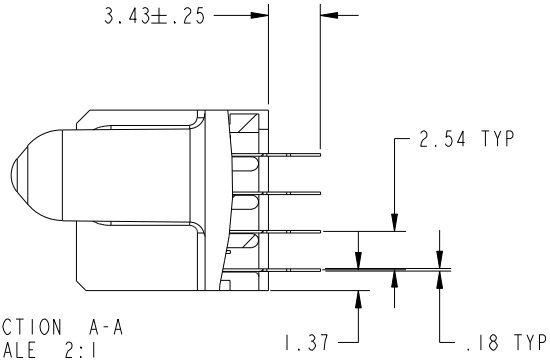
Tous droits strictement reserves. Reproduction ou communication a des tiers interdite sous quelque forme que ce soit sans autorisation ecrite du proprietaire. Propriete de c FCI. Droits de reproduction FCI.

All rights strictly reserved. Reproduction or issue to third parties in any form whatever is not permitted without written authority from the proprietor. Property of FCI. Copyright FCI.



PRODUCT NUMBER

51940-027--
NOTE: 3



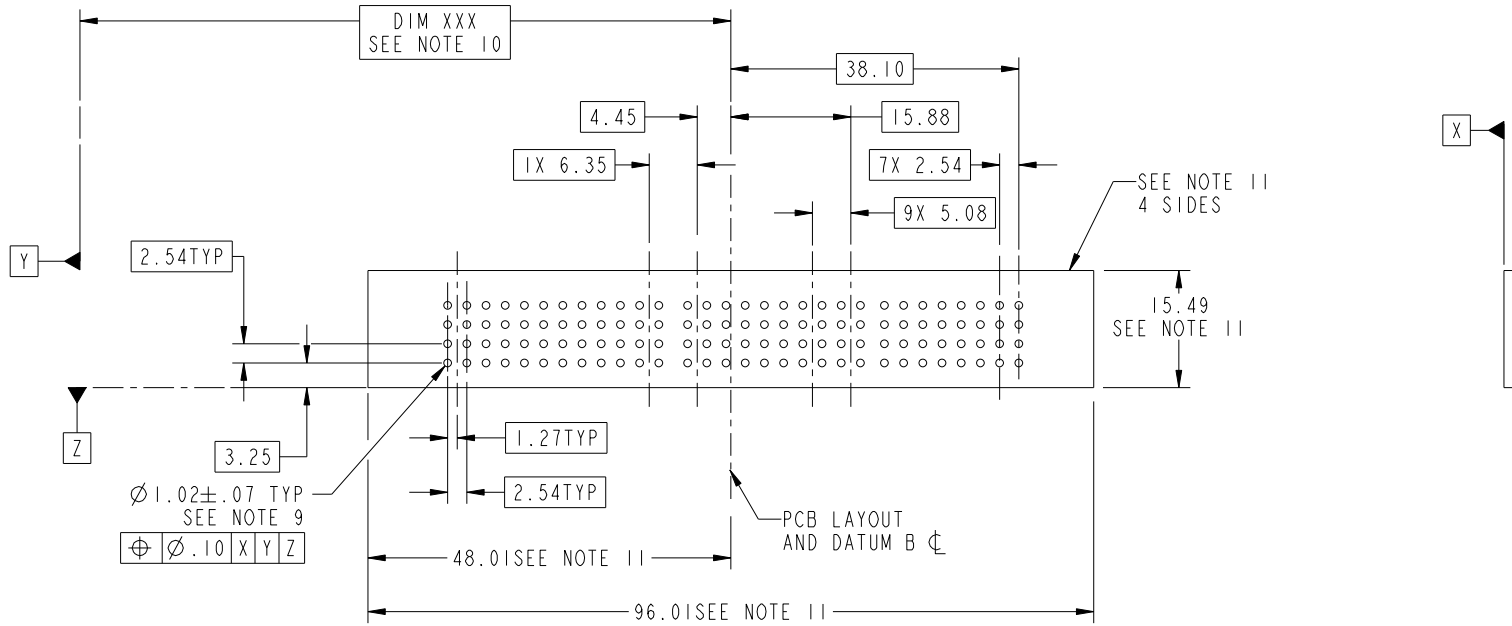
mat'l code		SEE NOTE		tolerances unless otherwise specified		CUSTOMER		 www.fciconnect.com					
lfr	ecn no.	dr	date	linear	0.X ± 0.5	COPY		title	32S + IIP VERTICAL PRESS FIT RECEPT				
C					0.XX ± 0.25	projection				product family	code		
					0.XXX ± 0.10							PwrBlade	213
				angles	0° ± 2°	 MM		size	sheet				
				dr	C. DAILY 12/11/02	scale				A	51940-027		
				engr	M. MOSTOLLER 12/11/02	1:1		cage code	22506				
				chr	M. MOSTOLLER 12/11/02							4	2
				appd	M. MOSTOLLER 12/11/02								
sheet index	revision sheet												

Tous droits strictement reserves. Reproduction ou communication a des tiers interdite sous quelque forme que ce soit sans autorisation ecrite du proprietaire. Propriete de c.FCI. Droits de reproduction FCI.



All rights strictly reserved. Reproduction or issue to third parties in any form whatever is not permitted without written authority from the proprietor. Property of FCI. Copyright FCI.

PRODUCT NUMBER
51940-027--
NOTE: 3



mat'l code				SEE NOTE		tolerances unless otherwise specified		CUSTOMER		 www.fciconnect.com	
ltr	ecn no.	dr	date	linear	0.X ± 0.5		COPY		title		
C					0.XX ± 0.25		projection		32S + IIP		
					0.XXX ± 0.10				VERTICAL PRESS FIT RECEIPT		
				angles	0° $\pm 2°$		 MM		product family		code
					dr C. DAILY 12/11/02		scale		PwrBlade		213
					enrg M. MOSTOLLER 12/11/02		1:1		size dwg no		sheet
					chr M. MOSTOLLER 12/11/02				A 51940-027		3
				appd M. MOSTOLLER 12/11/02							
sheet index	revision sheet										

cage code 28506

Pro/E

PDM: Rev: C

STATUS: **Released**

Printed: Dec 20, 2010

Tous droits strictement reserves. Reproduction ou communication a des tiers interdite sous quelque forme que ce soit sans autorisation ecrite du proprietaire. Propriete de c.FCI. Droits de reproduction FCI.

All rights strictly reserved. Reproduction or issue to third parties in any form whatever is not permitted without written authority from the proprietor. Property of FCI. Copyright FCI.



1 | 2

3

4

PRODUCT NUMBER

51940-027--
NOTE: 3

NOTES:

1. DIMENSIONS AND TOLERANCES ARE IN ACCORDANCE WITH ASME Y14.5M, 1994 UNLESS OTHERWISE SPECIFIED.

CONNECTOR NOTES:

- ② HOUSING MATERIAL: UL 94 V-0 GLASS FILLED
HIGH-TEMP THERMOPLASTIC
POWER CONTACT MATERIAL: COPPER ALLOY
SIGNAL PIN MATERIAL: COPPER ALLOY

△³. PLATING:
SEE ITEM 788 IN PRINT 10064183 FOR PLATING SPEC OF 51940-027; 51940-027LF PRESPECTIVELY

- ④ MANUFACTURER'S NAME, P/N, AND DATE CODE TO APPEAR ON THIS SURFACE.

5. PRODUCT SPECIFICATION GS-12-149.
APPLICATION SPECIFICATION BUS-20-067.

6. PACKAGED IN TRAYS.

PCB NOTES:

7. ALL HOLE DIAMETERS ARE FINISHED HOLE SIZE.

- ⑧ MOUNTING HOLES, WHERE APPLICABLE, ARE UNPLATED.

- ⑨ $\varnothing 1.151 \pm 0.025$ DRILLED HOLES PLATED WITH 0.008 MIN SnPb OR Sn OVER 0.03 TO 0.08 Cu PLATING TO ACHIEVE $\varnothing 1.02 \pm .07$ HOLE.

- ⑩ "DIM XXX" TO BE DETERMINED BY THE CUSTOMER.

- ⑪ CONNECTOR KEEP-OUT ZONE.

12. △ SYMBOL WILL BE NEXT TO ANY DIMENSION, VIEW, OR NOTE WHICH HAS BEEN MODIFIED WITH THE CURRENT DRAWING REVISION.

mat'l code				SEE NOTE		tolerances unless otherwise specified		CUSTOMER		 www.fciconnect.com	
lir	ecn no.	dr	date	linear	0.X ±0.5		COPY		title 32S + IIP VERTICAL PRESS FIT RECEIPT		
C					0.XX ±0.25		projection				
					0.XXX ±0.10						
				angles	0° ±2°				product family PwrBlade		code
				dr	C. DAILY	12/11/02	scale		size	dwg no	213
				enr	M. MOSTOLLER	12/11/02	1:1		A	51940-027	sheet
				chr	M. MOSTOLLER	12/11/02					4
				appd	M. MOSTOLLER	12/11/02					
sheet index	revision sheet										

A

A

B

B

1 | 2

Pro/E

PDM: Rev:C

STAT: Released

Printed: Dec 20, 2010

cage code 2856

4