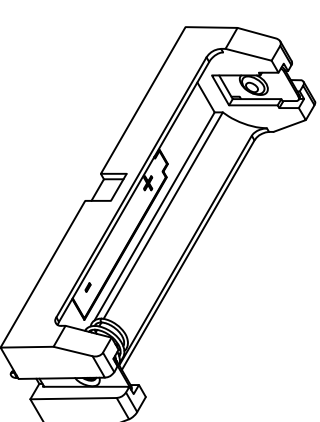
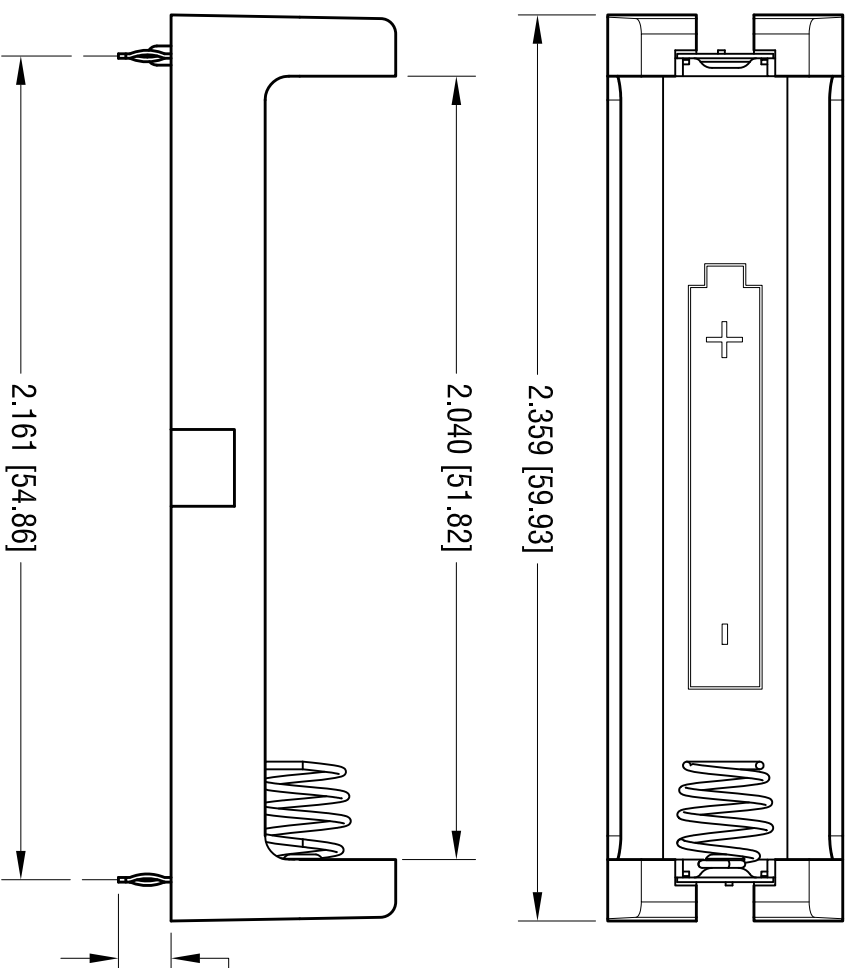
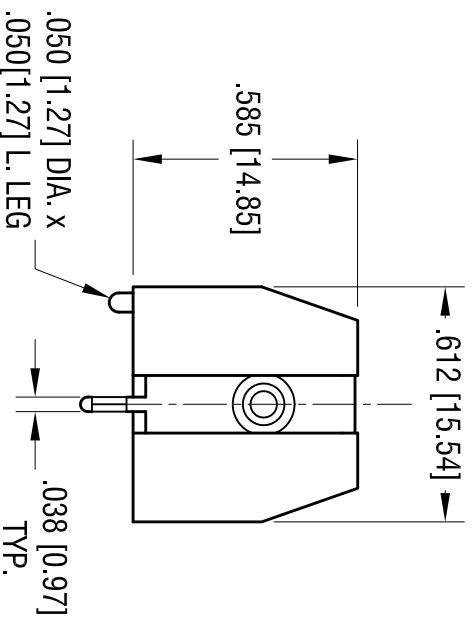
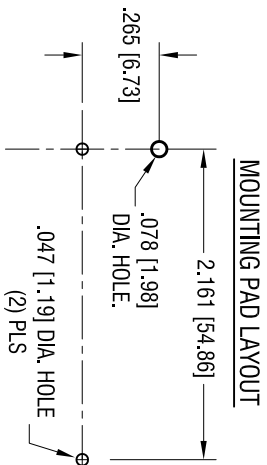


DATE	DESCRIPTION	REV.
1.23.17	CHANGE AS PER ECN 17-009	A
	(A) WAS 2.145 [54.48]	



- NOTE:
1. BASE:
MATERIAL: HEAT RESISTANCE NYLON
STAINYL 46 OR EQUIVALENT
 2. CONTACT:
MATERIAL: .012 [0.30] THK STAINLESS STEEL
FINISH: NICKEL PLATE.

THIS DOCUMENT IS THE PROPERTY OF KEYSTONE ELECTRONICS CORP. AND SHALL NOT BE REPRODUCED, DISTRIBUTED OR USED AS A BASIS FOR MANUFACTURE WITHOUT PRIOR WRITTEN PERMISSION FROM KEYSTONE ELECTRONICS CORP.

KEYSTONE ELECTRONICS CORP.			
www.keystec.com • ASTORIA, N.Y. 11105-2017 • Tel (718) 956-8900			
PART NAME THM BATTERY HOLDER, AA			
MATERIAL AS NOTED			
FINISH	AS NOTED		
TOLERANCES	INCH	[MM]	CODE
DECIMAL	± .010	[± 0.25]	C
ANGULAR	± 1°		
UNLESS OTHERWISE SPECIFIED		DWG NO.	1087
DRN BY	NT	DATE	6.12.14
APP'D	LN	SCALE	2X