

For General Distribution

Issue No. : 12-SWDW-H025
Date of Issue : October 30, 2012
Classification : New Change

PRODUCT SPECIFICATION FOR APPROVAL

Product Description : Detector Switch
Customers Part Number :
Product Part Number : ESE24CSH6
Country of Origin : Japan
Classification of Spec. : PRODUCT SPECIFICATION FOR APPROVAL
Applications : For distribution sales

* Please fill in and sign the below and return 1 copy to us

| | | |
|---------------|---|-------------|
| Approval No. | : | |
| Approval Date | : | |
| Executed by | : | |
| | | _____ |
| | | (signature) |
| Title | : | |
| Dept. | : | |

Electro-mechanical Components Business Unit
Industrial Devices Company, Panasonic Corporation

26-1-1 Doh Tsuruga, Fukui, Japan
Phone : +81-770-21-3625(Representative)

Prepared by : Monetary & Mechanical
Device Development team
Engineering Group-2

Contact Person :
Signature H. Ogawa
Name(Print) HIROSHI OGAWA
Title Team Leader of Engineering
Authorized by :
Signature M. Onishi
Name(Print) MASAHIDE ONISHI
Title General Manager of Engineering

Panasonic

| | | |
|---------|--|-------------------|
| Title | COMMON PRODUCT SPECIFICATION FOR INFORMATION | Rule No. 2-1 |
| Subject | Detector Switch | 151-SW-0134E (R3) |

1. Notification Items

1.1 Law and the regulation which are applied

- ① This product has not been manufactured with ozone depleting chemical controlled under the Montreal Protocol.
- ③ ② This product complies with the RoHS Directive (Restriction of the use of certain Hazardous Substance) in electrical and electronic equipment (DIRECTIVE 2011/65/EU).
- ③ All the materials used in this part are registered material under the Law Concerning the Examination and Regulation of Manufacture etc. or Chemical Substances.
- ④ Permission must be obtained from the Japanese government if the product that is subject to the "Foreign Exchange and Foreign Trade Law" is to be exported or taken out of Japan.

1.2 Application Limits

- ① This product was designed and manufactured for general electronics devices household appliances, office equipment, data and communication equipment.
For the following applications in which high reliability and safety are required, or for the applications in which the failure or malfunction of the products may directly jeopardize life or cause threat of personal asset, please contact us beforehand.
 - Aircraft and aerospace equipment, anti-disaster or anti-crime equipment, medical equipment, transport equipment(automotives, trains, boat etc), high public information processing devices or the other equipments or devices that are equivalent to the above mentioned.
- 2 Please give us prior notification when this product is used in the products or models other than those specified in this specification. In the case where any problem occurs when this product is used in such products or models without any prior notification to us, our guarantee may not cover such a problem.
 - ② Although we are exerting our best efforts to maintain the quality of these Products, we cannot guarantee that they will never cause short circuiting and open circuitry, please do not use this switch for the function that influences the life. Therefore, when designing an equipment or device with which the priority is given to the safety, you will please carefully study the influences to the whole equipment of a single function failure of a switch in advance to make out a fail-safe design providing necessary protective circuits.
 1. Preparing a protective circuit or protective device to improve system safety, and
 2. preparing a redundant circuit to improve system safety so that the single fault of a switch does not cause a dangerous situation.
 - ① ③ Quality coverage (Immunity)
 - Please use this product within the range of the specification described in "Products Specification For Information".
 - Please acknowledge that our company and distributors cannot assume the responsibility at all beforehand about the accident and others when notes described in accident when it uses it by any chance outside the specification and "Application Notes" are not observed.

1.3 Handing of the delivery specification

- Writings in this specification form are subject to change through precautions.
- This specification form specify this item only. Please perform your approval test in the actual application conditions beforehand.
- The term of validity of this product specification shall be one year from the issue date.
In case more than one year past, please request us new specifications again before ordering this product.
- After checking, put your receipt stamp or sign on the specification, and return one copy to us.
In case that we received your order without returning the specification, we understand that you have approved the contents of the specification.

| Sym 符号 | Date 日付 | Revision 改訂履歴 | Signed 記印 | Chucked 検印 |
|-----------|------------|---|--------------|---------------|
| △1 | '09.7.29 | •Addition of spec. (③Quality coverage (Immunity)) | T.N | T.T.K.Y |
| △2 | '11.11.1 | •Addition of spec. (1.2 ①) | K.T | K.Y.H.O |
| △3 | '12.8.30 | •Update of EU RoHS Directive . (1.1 ②) | K.T | T.I.H.O |

| | | |
|---------|--|-------------------|
| Title | COMMON PRODUCT SPECIFICATION FOR INFORMATION | Rule No. 2-2 |
| Subject | Detector Switch | 151-SW-0134E (R3) |

1.4 Manufacturing Sites

【ESE13, ESE16, ESE18, ESE21, ESE22, ESE23, ESE24, ESE58 Type】

The country of manufacture : Japan
 Electro-mechanical Components Business Unit
 Industrial Devices Company, Panasonic Corporation

【ESE11, ESE31 Type】

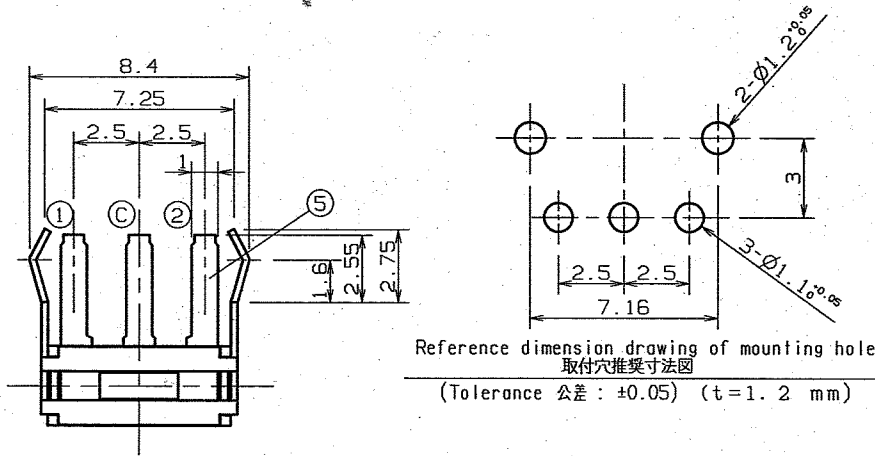
The country of manufacture : China / Japan
 Panasonic Industrial Devices (Qingdao) Co., Ltd.

Electro-mechanical Components Business Unit
 Industrial Devices Company, Panasonic Corporation

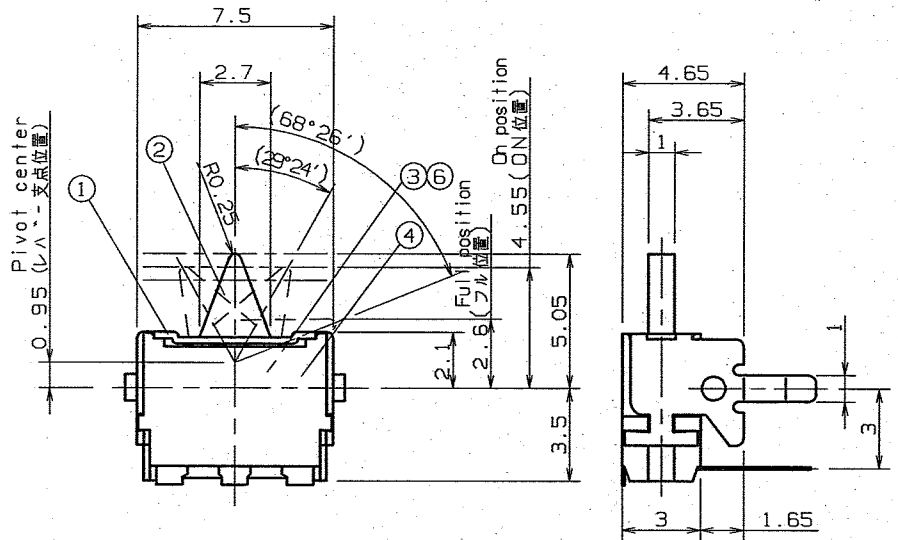
2.Summary

- 2.1 This specifications applies the detector switch.
- 2.2 This specifications is a constituent document of contract for business concluded between your company and Panasonic Corporation.
- 2.3 Item not particularly specified in this specifications shall be in conformance with JIS Standards.

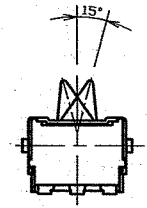
| Sym. (符号) | Enfo. Date (実施) | Revision History (改訂履歴) | | Signed (印) | Checked (印) | Responsible (責任者) | Enacted (取付) |
|--------------|--------------------|----------------------------|--|---------------|----------------|----------------------|-----------------|
| | | | | | | | |
| △ | | | | | | | |
| △ | | | | | | | |
| △ | | | | | | | |



Reference dimension drawing of mounting hole
取付穴推奨寸法図
(Tolerance 公差 : ±0.05) (t=1.2 mm)



- Release point : inclination 15° max.
*After operating several times, measure of lever position.
Operating speed : 200 mm/s
- レリース位置のレバー傾き --- 15° 以下
*数回動作を行なった後、レバーに外力が印加されない状態で測定する。
切換スピードは200 mm/s とする。



- Parts list 材料明細-

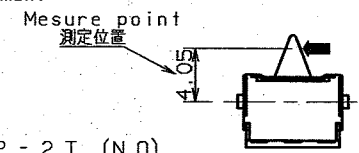
| No. 記号 | Part name 部品名 | Material 材質 | Remarks 記事 |
|-----------|----------------------|---------------------------------|------------------------|
| 1 | Cover カバー | SPTE | Tin plating 錫めっき |
| 2 | Lever レバー | PPHS resin PPS樹脂 | 94V-0 |
| 3 | Cam カム | PPHS resin PPS樹脂 | 94V-0 |
| 4 | Case ケース | PPHS resin PPS樹脂 | 94V-0 |
| 5 | Terminal 端子 | Phosphor bronze strips リン青銅条 | Silver plating 銀めっき |
| 6 | Contact piece 接触片 | Phosphor bronze strips リン青銅条 | Silver plating 銀めっき |

Individual Specifications 納入仕様

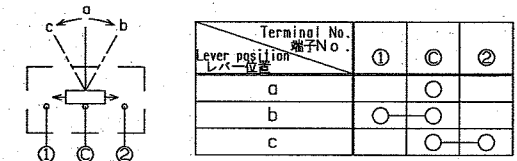
In accordance with common individual specifications ESE2400 TYPE (2)(151-ESE-2400-2).
And, the following item shall be applied preferentially.

共通納入仕様書 ESE2400形(2)(151-ESE-2400-2)による。
但し、下記項目は、これを適用する。

4.2 Operating force 350 mN max.
操作力



□ Construction of circuit 1 P - 2 T (N.O)
回路構成 1回路2接点(N.O)



□ This switch shall be Self-returning Type specifications.
当スイッチはオートリターンタイプである。

□ This switch shall be Dip soldering specifications.
当スイッチは、ディップはんだ対応仕様である。

| No. (番号) | Item or Code No. (品名またはコード番号) | Material & Size (材質、寸法) | Quantity (数量) | Process (処理、加工) | Remark (記事) |
|-------------------|-------------------------------|----------------------------|-----------------------------|--|--|
| ±0.3 | Enfo. Date (実施) '02.06.05 | Enacted (制定) (制定) | Name (文書名) K. Sako | Standard 標準品 DELIVERY SPECIFICATION 納入仕様書 | |
| Scale (尺度) 5:1 | Designed (設計) K. Yasufuku | Drawn (製図) K. taniguchi | Checked (検図) K. Yasufuku | Responsible (責任者) K. Sako | Product Name (製品名) 2W-Detector Switch 2Wディテクタースイッチ ESE24CSH6 |
| | '02.09.02 | '02.09.02 | '02.09.02 | | Revision (改訂) Page (ページ) R00 1 of 1 |

| | | | | | | | |
|---|------------|---|--|--|--------------------------------|----------------------------------|----------------------------------|
| Title 標準書名 | | COMMON PRODUCT SPECIFICATION FOR INFORMATION 共通納入仕様書 | | | Rule No.11-1 記号番号 | | |
| Subject 品名 | | ESE2400Type (2) ESE2400形 (2) | | | 151-ESE-2400-2 (R 7) | | |
| (Notes) 【1】 In case there are differences between the individual specifications and this specifications, (注意) priority shall be given to the individual specifications. 個別納入仕様書と本仕様書とで、矛盾が生じる項目は、個別納入仕様書を優先適用する。 【2】 Test conditions … Temperature ; 5 °C~35 °C, Humidity ; 45 %~85 %, Atmospheric pressure ; 86 kPa~106 kPa. 試験条件 … 室温 5 °C~35 °C, 相対湿度 45 %~85 %, 気圧 86 kPa~106 kPa の状態で行う。 | | | | | | | |
| ITEM 項目 | | SPECIFICATIONS 規格 | | | REMARKS 備考 | | |
| 1. Appearance 外観 | | There shall be no harmful plating defective, rust, cracking, chip and deformation etc., on function. 機能を損なう、めっき不良、錆、傷、割れ、変形がないこと。 There shall be no noticeable deformation in the alignment of the terminals. 端子の並びには、変形のないこと。 | | | | | |
| 2. Dimensions 寸法 | | In accordance with the individual specifications. 個別納入仕様書による。 | | | | | |
| 3. Marking 表示 | | In accordance with the individual specifications. 個別納入仕様書に規定する個所に、定められた内容が明瞭に表示されていること。 | | | | | |
| 4. MECHANICAL CHARACTERISTICS 機械的白勺牛守牛生 | | | | | | | |
| 1 Stroke ストローク | | In accordance with the individual specifications. 個別納入仕様書による。 | | | | | |
| 2 Operating force 操作力 | | In accordance with the individual specifications. 個別納入仕様書による。 | | | | | |
| 3 Operating part strength 操作部強度 | | No abnormalities to apply following load on the tip of operating part for 15 s. 下記の力を操作部先端に 15 秒間加えて異常のないこと。 <input type="checkbox"/> Operating direction … 10 N 操作方向 <input type="checkbox"/> Drawing direction … 3 N 引張方向 <input type="checkbox"/> Right direction against operating direction … 3 N 操作方向と直角方向 | | | | | |
| 4 Wobble of operating part 操作部ガタ | | 1.0mm max. to apply load 300 mN on the tip of operating part. 操作部先端に、300 mN の力を加えて 1.0 mm 以下であること。 | | | | | |
| Sym 符号 | Date 日付 | Revision 改訂履歴 | | | Signed 記印 | Chucked 検印 | |
| △4 | '08.12. 1 | ・Deletion of spec. 仕様削除 【Sn-Pb Eutectic solder 共晶はんだ】 (6.6 Solderability はんだ付け性、6.7 Soldering heat はんだ耐熱性) ・Addition of spec. 仕様追加 (SPECIFICATION OF TAPING PACKAGE エンボステーピング仕様、Application Notes ご使用上の注意事項) | | | K.T | K.Y Y.K | |
| △5 | '09.5.15 | ・Change of spec. 仕様変更 (9.3 Peeling strength of cover tape カバーテープの剥離強度) | | | J.H | T.T K.Y | |
| △6 | '09.7. 1 | ・Definitely of specification. 仕様明確化 (6.1 Storage temperature 保存温度範囲) | | | T.N | T.T K.Y | |
| △7 | '10. 2. 4 | ・Change of spec. 仕様変更 (7.Soldering heat : Manual soldering はんだ耐熱性:手はんだ) | | | J.H | T.I Y.K | |
| Esa. Date 3. Mar. 1999 制定日 | | Panasonic Corporation パナソニック株式会社 | | | Check 検印 Y. Nakase 中瀬 | Check 検印 K. Yasufuku 安福 | Plan 担当者 J. Hosokawa 細川 |

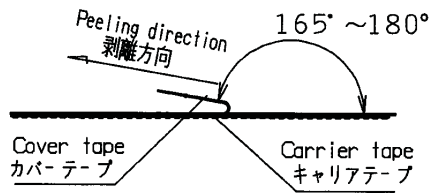
C. Std

| Title 標準書名 | | COMMON PRODUCT SPECIFICATION FOR INFORMATION 共通納入仕様書 | | Rule No.11-2 記号番号 | |
|---|---|---|--|-------------------------|--|
| Subject 品名 | | ESE2400Type (2) ESE2400 形 (2) | | 151-ESE-2400-2 (R 7) | |
| ITEM 項目 | SPECIFICATIONS 規格 | | | REMARKS 備考 | |
| 5 | Strength of terminal and terminal plate 端子・端子板強度 | No breaking of terminal and terminal plate to apply load 3 N in each direction on the tip of the terminal for 15 s. 端子の先端に、3 N の力を任意の方向に 15 秒間加えて、端子及び端子板の破損のないこと。但し、端子の曲がり・変形は判定対象外とする。 | | | One test / One terminal 1 回試験 / 1 端子 |
| 5. ELECTRICAL CHARACTERISTICS 電気的特性 | | | | | |
| 1 | Rating 定格 | 3 VDC 50 μ A to 5 VDC 10 mA (Resistive Load) DC3 V 50 μ A ~ DC5 V 10 mA (抵抗負荷) | | | |
| 2 | Contact resistance 接触抵抗 | 500 m Ω max after switching without load several times. (Full stroke condition) 無負荷にて数回切換えを行った後、--- 500 m Ω 以下。 (フルストローク状態) | | | Measuring condition 測定条件 1 kHz \pm 200 Hz 20 mV, 50 mA max. |
| 3 | Withstanding voltage 耐電圧 | 100 VAC (50 Hz or 60 Hz) for 1 minute on between non-continuous terminals and between outer metal part. 非連続端子間・端子-外部金属部間共に、 AC 100 V (50 Hz or 60 Hz) 1 分間。 | | | It does not apply during switching. 切換え途中は適用しない。 |
| 4 | Insulation resistance 絶縁抵抗 | 100 M Ω min. at 100 V DC for 1 minute on between non-continuous terminals and between outer metal part. 非連続端子間・端子-外部金属部間共に、 DC 100 V 1 分間 100 M Ω 以上。 | | | It does not apply during switching. 切換え途中は適用しない。 |
| 5 | Bouncing バウシング | 10 ms max. at ordinary switching condition. (200 mm/s) 通常の切換え (200 mm/s) 状態にて、... 10 ms 以下。 | | | |
| 6. ENVIRONMENT CHARACTERISTICS 環境的特性 | | | | | |
| 1 | Operating temperature 使用温度範囲 | -40 $^{\circ}$ C to +85 $^{\circ}$ C -40 $^{\circ}$ C ~ +85 $^{\circ}$ C | | | |
| 6 | Storage temperature 保存温度範囲 | -40 $^{\circ}$ C to +85 $^{\circ}$ C -40 $^{\circ}$ C ~ +85 $^{\circ}$ C | | | Bulk. 単品状態 ----- Taping package. テーピング状態 |
| | | -20 $^{\circ}$ C to +60 $^{\circ}$ C -20 $^{\circ}$ C ~ +60 $^{\circ}$ C | | | |
| 2 | Heat resistance 耐熱性 | Leave in room temperature and room humidity for an hour after placing in chamber of temperature +85 $^{\circ}$ C \pm 2 $^{\circ}$ C for 96 hours. +85 $^{\circ}$ C \pm 2 $^{\circ}$ C の槽中に 96 時間放置後、常温常湿中に 1 時間放置する。 <input type="checkbox"/> The contents of table-1 shall be satisfied. 表 1 を満足すること。 <input type="checkbox"/> No harmful deformation, cracking and chip etc. , on function. 機能上、有害な変形・ひび割れ・欠け等のないこと。 | | | |
| 3 | Low temperature resistance 耐寒性 | Leave in room temperature and room humidity for an hour after placing in chamber of temperature -40 $^{\circ}$ C \pm 2 $^{\circ}$ C for 96 hours. -40 $^{\circ}$ C \pm 2 $^{\circ}$ C の槽中に 96 時間放置後、常温常湿中に 1 時間放置する。 <input type="checkbox"/> The contents of table-1 shall be satisfied. 表 1 を満足すること。 <input type="checkbox"/> No harmful deformation, cracking and chip etc. , on function. 機能上、有害な変形・ひび割れ・欠け等のないこと。 | | | |

| Title 標準書名 | COMMON PRODUCT SPECIFICATION FOR INFORMATION 共通納入仕様書 | | Rule No.11-3 記号番号 |
|------------------------------|--|--|--|
| Subject 品名 | ESE2400Type (2) ESE2400 形 (2) | | 151-ESE-2400-2 (R 7) |
| ITEM 項目 | SPECIFICATIONS 規 格 | | REMARKS 備 考 |
| 4 Moisture resistance 耐湿性 | <p>Leave in room temperature and room humidity for an hour after placing in chamber of temperature +40 °C±2 °C and 90 %RH to 95 %RH for 96 hours. +40 °C±2 °C, 90 %RH~95 %RH の槽中に 96 時間放置後、常温常湿中に 1 時間放置する。</p> <p><input type="checkbox"/>The contents of table-1 shall be satisfied. 表 1 を満足すること。</p> <p><input type="checkbox"/>No harmful rust, deformation, cracking and chip etc. , on function. 機能上、有害な錆・変形・ひび割れ・欠け等のないこと。</p> | | |
| 5 Endurance 耐久性 | <p>(1)No load test 無負荷試験 50,000 cycle operations with no load. (Switching speed 15 times/min to 20 times/min.) 無負荷で、50,000 回 (開閉頻度 15 回/分~20 回/分)往復動作する。</p> <p><input type="checkbox"/>The contents of table-1 shall be satisfied. 表 1 を満足すること。</p> <p><input type="checkbox"/>No harmful deformation, cracking and chip etc. , on function. 機能上、有害な変形・ひび割れ・欠け等のないこと。</p> <hr/> <p>(2)load test 負荷試験 50,000 cycle operations with rated load. (Switching speed 15 times/min to 20 times/min.) 定格負荷で、50,000 回(開閉頻度 15 回/分~20 回/分)往復動作する。</p> <p><input type="checkbox"/>The contents of table-1 shall be satisfied. 表 1 を満足すること。</p> <p><input type="checkbox"/>No harmful deformation, cracking and chip etc. , on function. 機能上、有害な変形・ひび割れ・欠け等のないこと。</p> | | |
| 6 Solderability はんだ付け性 | <p>•Solder 使用はんだ Alloy composition 合金組成 … Sn-3Ag-0.5Cu Made by Senju Metal Industry Co.,Ltd (M705) 千住金属工業(株)製 (M705)を使用。</p> <p>•Flux フラックス CF-110VH-2A (made by TAMURA KAKEN CO.,LTD タムラ化研製。)</p> <p>•Pre-treatment 前処理 : PCT test PCT 試験 (Test shall be done in a condition of packing. 包装状態) Dip soldering type ディップはんだタイプ … 105 °C,100 %RH, 8 h Reflow soldering type リフローはんだタイプ … 105 °C,100 %RH, 4 h</p> <p>•Test temperature 試験温度 : 245 °C~250 °C</p> <p>•Dipping speed 浸漬速度 : 20 mm/sec</p> <p>•Dipping depth 浸漬深さ : 1 mm~2 mm</p> <p>•Dipping an angle 浸漬角度 : Vertical direction 垂直方向</p> <p>•Test method 確認方法 : Measured the time of zero cross by Menisuco-graph method. Test did dip method for test balance. メニスコグラフ法によるゼロクロス時間測定 SMD 部品であるが試験安定性の為 DIP 式で実施。</p> <p><input type="checkbox"/>Solder wetting times shall be 3 s or less. はんだ濡れ時間 3 秒内。</p> <p><input type="checkbox"/>The solder shall be covered on 90 % min. of dipping area <u>on the plating surface.</u> めっき面において、浸漬面積の 90 %以上、はんだが付いていること。</p> | | Soldering process shall be done at release condition only. はんだ付け工程はリリース状態に限る。 |

| Title 標準書名 | | COMMON PRODUCT SPECIFICATION FOR INFORMATION 共通納入仕様書 | Rule No.11-5 記号番号 |
|---------------|---|--|-------------------------|
| Subject 品名 | | ESE2400Type (2) ESE2400 形 (2) | 151-ESE-2400-2 (R 7) |
| ITEM 項目 | SPECIFICATIONS 規 格 | | REMARKS 備 考 |
| 10 | Salt spray resistance 耐塩水噴霧 | <p>Wash and dry after testing 3 cycles (1 cycles is 8 h spray of salt water to 5 %±1 %wt and 16 h pause) in chamber of +35 °C±2 °C. 5 %±1 %wt の塩水を+35 °C±2 °Cの槽中で、8 時間噴霧 16 時間休止を 1 サイクルとして 3 サイクル試験後、水洗乾燥する。</p> <p><input type="checkbox"/>There shall be no harmful rust on function. 機能上、有害な錆がないこと。</p> | |
| 11 | Drop shock proof 耐落下 衝撃性 | <p>Drop from a height of 1m on hard board of thickness 3 cm 10 times naturally. 厚さ 3 cm の檜板上に、1m の高さより 10 回自然落下を行う。</p> <p><input type="checkbox"/>The contents of table-1 shall be satisfied. 表 1 を満足すること。</p> <p><input type="checkbox"/>No harmful deformation, cracking and chip etc. , on function. Except for flaw and terminal bending. 機能上、有害な変形・ひび割れ・欠け等のないこと。 但し、傷・端子曲がりは除く。</p> | |
| 12 | Shock resistance 耐衝撃性 | <p>Test shall be done at following condition. Acceleration : 735m/s² (75 G) Operating time : 6 ms Test direction : Each two directions of X,Y and Z directions. Test frequency : Every 3 times (Total 18 times) 加速度:735m/s² (75 G) 作用時間:6 ms 試験方向:X,Y,Z 各 2 方向 試験回数:各 3 回(計 18 回)の試験を行う。</p> <p><input type="checkbox"/>The contents of table-1 shall be satisfied. 表 1 を満足すること。</p> <p><input type="checkbox"/>No harmful deformation, cracking and chip etc. , on function. 機能上、有害な変形・ひび割れ・欠け等のないこと。</p> | |
| 13 | Vibration Proof 耐振性 | <p>Vibration of amplitude : 1.5 mm, f=10 Hz~55 Hz~10 Hz and the period : 1 minute shall be done in X,Y and Z direction for respective 2 hours. 振幅 : 1.5 mm, f=10 Hz~55 Hz~10 Hz, 周期:1 分間の振動を X,Y,Z 方向に、各 2 時間行う。</p> <p><input type="checkbox"/>The contents of table-1 shall be satisfied. 表 1 を満足すること。</p> <p><input type="checkbox"/>No harmful deformation, cracking and chip etc. , on function. 機能上、有害な変形・ひび割れ・欠け等のないこと。</p> | |
| 14 | Hydrogen sulfide resistance 耐硫化性 | <p>Place in chamber of +40 °C±2 °C, 90 %RH to 95 %RH and 3 ppm±0.5 ppm H₂S for 96 hours. +40 °C±2 °C, 90 %RH~95% RH, H₂S 3 ppm±0.5 ppm の槽中に 96 時間放置する。</p> <p><input type="checkbox"/>The contents of table-2 shall be satisfied. 表 2 を満足すること。</p> <p><input type="checkbox"/>No harmful rust, deformation, cracking and chip etc. , on function. 機能上、有害な錆・変形・ひび割れ・欠け等のないこと。</p> | |

| Title 標準書名 | | COMMON PRODUCT SPECIFICATION FOR INFORMATION 共通納入仕様書 | Rule No.11-6 記号番号 |
|--|--|---|--|
| Subject 品名 | | ESE2400Type (2) ESE2400形 (2) | 151-ESE-2400-2 (R 7) |
| ITEM 項目 | SPECIFICATIONS 規格 | | REMARKS 備考 |
| 15 Joint strength of solder はんだ 接合強度 | <p>【Dip soldering デイップはんだ】</p> <ul style="list-style-type: none"> •Solder 使用はんだ : Alloy composition 合金組成 … Sn-3Ag-0.5Cu Made by Senju Metal Industry Co.,Ltd (M705) 千住金属工業(株)製 (M705)を使用。 •Flux フラックス : CF-110VH-2A (made by TAMURA KAKEN CO.,LTD タムラ化研製。) •Solderability condition はんだ付け条件 : <ul style="list-style-type: none"> … Shall be done at temperature 255 °C ± 3 °C for 5 s After pre-heat treatment. (100 °C to 110 °C for 30 s ± 5 s) プリヒート処理 (100 °C ~ 110 °C 30 s ± 5 s 秒)した後、 255 °C ± 3 °C 5 秒間行う。 •Temperature cycle 温度サイクル : <ul style="list-style-type: none"> … Test cycle 試験サイクル数 : 1000 cycle … 1 cycle : Peak temperature ピーク温度 -25 °C ± 2 °C, +80 °C ± 2 °C Time to hold peak temperature is more than 7 minute. ピーク温度保持時間 各 7 分以上 <p><input type="checkbox"/> Average change ratio of robustness after temperature cycle.... 50 % or less. 温度サイクル後、固着性強度の平均変化率 50 %以下</p> | | |
| | <p>【Reflow soldering リフローはんだ】</p> <ul style="list-style-type: none"> •Solder 使用はんだ : Alloy composition 合金組成 … Sn-3Ag-0.5Cu Made by Senju Metal Industry Co.,Ltd (M705-221BM) 千住金属工業(株)製 (M705-221BM)を使用。 •Solderability condition はんだ付け条件 : <ul style="list-style-type: none"> … Pre-heat 予備加熱 : 150 °C ~ 170 °C、60 s ~ 120 s … Heat 本加熱 : 230 °C min.、30 s ~ 40 s … Peak ピーク : 245 °C ~ 250 °C •Temperature cycle 温度サイクル : <ul style="list-style-type: none"> … Test cycle 試験サイクル数 : 1000 cycle … 1 cycle : Peak temperature ピーク温度 -25 °C ± 2 °C, +80 °C ± 2 °C Time to hold peak temperature is more than 7 minute. ピーク温度保持時間 各 7 分以上 <p><input type="checkbox"/> Average change ratio of robustness after temperature cycle.... 50 % or less. 温度サイクル後、固着性強度の平均変化率 50 %以下</p> | | |
| 16 Whisker test ウイスカ試験 | <p>Tests shall be done in a condition of mounting on PWB. (t=1.0 mm Single sided PWB) P 基板 (t=1.0 mm 片面プリント基板) に実装状態で、試験を行う。 Test condition 試験条件 Moisture resistance 耐湿試験 … +40 °C ± 2 °C、90 %RH ~ 95 %RH、1000 h</p> <p><input type="checkbox"/> Average outbreak distance of whisker after test. … 200 μ m or less 試験後、ウイスカの平均発生距離 … 200 μ m 以下</p> | | |
| 【Table-1 表 1】 | | 【Table-2 表 2】 | |
| Contact resistance 接触抵抗 | 1 Ω max. 1 Ω 以下 | Contact resistance 接触抵抗 | 3 Ω max. 3 Ω 以下 |
| Insulation resistance 絶縁抵抗 | 100 V DC 10 MΩ min. DC 100 V 10 MΩ 以上 | Insulation resistance 絶縁抵抗 | 100 V DC 10 MΩ min. DC 100 V 10 MΩ 以上 |
| Withstand voltage 耐電圧 | 100 V AC for 1 minute AC 100 V 1 分間 | Withstand voltage 耐電圧 | 100 V AC for 1 minute AC 100 V 1 分間 |
| Operating force 操作力 | 500 mN max. 500 mN 以下 | Operating force 操作力 | 500 mN max. 500 mN 以下 |

| | | | |
|--|---|---|------------------------|
| Title 標準書名 | | COMMON PRODUCT SPECIFICATION FOR INFORMATION 共通納入仕様書 | Rule No.11-7 記号番号 |
| Subject 品名 | | ESE2400Type (2) ESE2400形 (2) | 151-ESE-2400-2 (R7) |
| \triangle SPECIFICATION OF TAPING PACKAGE \triangle エンボステーピング仕様 | | | |
| ITEM 項目 | SPECIFICATIONS 規 格 | | |
| 7. Scope 適用範囲 | This specification outlines engineering information of the taping package for switches. In case there are differences between the individual specification and this specification, priority shall be given to the individual specification 当仕様書は、エンボステーピング対応製品のテーピング仕様について適用する。 個別納入仕様書と当仕様書とで矛盾が生じる項目は、個別納入仕様書を優先適用する。 | | |
| 8. Appliance 適用機種 | Shall be applied to parts of embossed taping package. エンボステーピング対応製品に適用する。 | | |
| 9. Specification of taping package テーピング仕様 | | | |
| 1 Dimensions テーピング寸法 | In accordance with individual specification. 個別納入仕様書による。 | | |
| 2 Protrusion of cover tape カバーテープのはみ出し | ① Cover tape shall not protrude on the pilot holes. パイロット穴にカバーテープがはみ出していないこと。 ② Protrusion of cover tape from carrier tape shall be 0.1 mm max. キャリアテープ幅に対してカバーテープのはみ出し。… 0.1 mm 以下 | | |
| 3 Peeling strength of cover tape カバーテープの剥離強度 (Refer to conform with JIS C 0806-3) (JIS C 0806-3 に準ずる) | Tested as follows, peeling strength of cover tape shall be 0.1 N ~ 1.3 N. 下記の試験条件で測定して、剥離強度は、0.1 N ~ 1.3 N のこと。 \triangle <ul style="list-style-type: none"> <input type="checkbox"/> Peeling direction … as follows 剥離方向 図示とおり <input type="checkbox"/> Peeling speed … 300 mm. / min. 剥離速度 <input type="checkbox"/> Peeling angle … 165° ~ 180° 剥離角度  | | |
| 4 Tensile strength of taping package テープの引張り強度 | Tensile strength of taping package after sealing shall be 10 N minimum. No tearing off and peeling off of taping package shall exist. シール後のテープの引張り強度は、… 10 N 以上のこと。 また、この時テープの破断、シールはがれのないこと。 | | |
| 5 Detachable characteristics 部品の抜取性 | ① Switch shall fall freely from the reversed carrier tape after the switch pushed at 100 mN~200 mN. (No adhesion by grease) スイッチを軽く(100 mN~200 mN)押し込んだ後、キャリアテープを逆さにして、スイッチが自然落下すること。 (接点潤滑剤による、粘着のないこと。) ② Switch shall not adhere on cover tape at the peeling of the cover tape. カバーテープの剥離時に、カバーテープにスイッチが付着していないこと。 | | |
| 6 Lacking of parts 部品の欠品 | There shall be no lack in packing. スイッチの部品欠品のないこと。 | | |

| | | | | |
|------------------------------------|--|-------------------------|---------------------|-----------------------------------|
| Title 標準書名 | COMMON PRODUCT SPECIFICATION FOR INFORMATION 共通納入仕様書 | Rule No.11-8 記号番号 | | |
| Subject 品名 | ESE2400Type (2) ESE2400 形 (2) | 151-ESE-2400-2 (R/7) | | |
| ITEM 項目 | SPECIFICATIONS 規格 | | | |
| 10. Specification of reel リール仕様 | | | | |
| 1 Dimensions リール寸法 | <table border="1" data-bbox="986 1064 1369 1126"> <tr> <td>W dimension W 寸法</td> <td>24.4 ⁺²/₀</td> </tr> </table> | | W dimension W 寸法 | 24.4 ⁺² / ₀ |
| W dimension W 寸法 | 24.4 ⁺² / ₀ | | | |
| 2 Indication リール仕様 | <p>Following items shall be indicated on the reel. Customer's part No. Panasonic Part No. Quantity Manufacturing lots. Company's name or Trade mark</p> <p>リール表面に下記項目が表示されていること。 (ユーザー品番:指定のある場合のみ)、当社品番、数量、製造ロット、当社社名又は略号</p> | | | |

| | | |
|---------------|---|-------------------------|
| Title 標準書名 | COMMON PRODUCT SPECIFICATION FOR INFORMATION 共通納入仕様書 | Rule No.11-9 記号番号 |
| Subject 品名 | ESE2400Type (2) ESE2400 形 (2) | 151-ESE-2400-2 (R 7) |



Application Notes

ご使用上の注意事項



When using our Detector Switches, please observe the following items ("prohibited items") and be cautions of the Following in order to prevent dangerous accidents and deterioration of performance.

ご使用に際しては、不安全事故や性能劣化等の未然防止のため、以下の禁止事項の厳守と注意事項についてご配慮ください。

① Prohibited items and notes on mounting

実装に関する禁止及び注意事項

- (1) When soldering (including preheat), set the lever to the release position.
はんだ付けする際(プリヒート含む)は、操作部(レバー)をリリース状態にして行ってください。
- (2) When soldering using a soldering iron, soldering conditions vary with the tip shape of the soldering iron, wattage, and PWB thickness. Thoroughly check the condition in advance, including the heat resistance rating of the solder.
はんだごてではんだ付けされる際は、はんだごての先端形状、ワット数、基板の厚み等により条件が変わります。はんだ耐熱性の規格を加味した上で、事前に十分なご確認をお願いします。
- (3) Do not apply a load to terminals when soldering. Care should be taken in this regard because a load may deteriorate electric and mechanical characteristics.
はんだ付け時には、端子に力が加わらないようにしてください。力が加わりますと、場合によっては電氣的・機械的特性の劣化の恐れがありますので、ご注意ください。
- (4) When mounting a detector switch to a through-hole type PWB, the influence of thermal stress on the switch is greater than that on one-sided PWB. Be sure to check the influence as well as the heat resistance rating of the solder.
スルホールタイプのプリント配線板に実装する場合は、片面基板よりもスイッチの熱ストレスの影響が大きくなります。はんだ耐熱性の規格を加味した上で、事前に十分なご確認をお願いします。
- (5) Do not dip-solder after reflow-soldering to prevent from jumping flux.
フラックス上がり防止のため、リフローはんだをした後、ディップはんだはしないでください。
- (6) Since the detector switches are not sealed, do not wash them.
スイッチは密閉構造になっていないため、洗浄はしないでください。
- (7) With the switch installed on the printed wiring board, do not stack the boards.
プリント配線板に実装後、基板の積重ねをしないでください。

② Notes on circuit conditions

回路条件に関する注意事項

- (1) To ensure reliability, use detector switches within the rated range, as designated in "Product Specifications for Information."
"信頼性確保のため、納入仕様書で規定している定格の範囲内でご使用ください。
- (2) To avoid malfunction of a set due to bounce generated by turning the switch ON and OFF, and/or due to chatter generated by external vibrations, etc., take the following into consideration in design. Please make sure canceling "Bouncing and Chattering" is to add an analog filter (CR integrator circuit.) and a soft filter (multiple-reading determination system.)
スイッチの ON 又は OFF への切換え動作時のバウンス及び外部振動時等のチャタリングによるセットの誤動作を防止するために、下記のような設計配慮をお願いします。
バウンスとチャタリングをキャンセルするため、アナログフィルタ(CR 積分回路付加)と、ソフトフィルタ(複数回読み判定方法)を必ず実施して下さい。
 1. Analog filter (CR integration circuit.)
アナログフィルタ (CR 積分回路)
(Recommendation : Time constant 6 ms or more.)
(推奨: 時定数 6 ms 以上)
 2. Soft filter (At the multiple-reading determination system.)
ソフトフィルタ (マイコン処理の場合)
Software solution should be adopted to read output signals from the switch several times for determination by using a microcomputer.
マイコンを用いてスイッチの出力信号を複数回読んで判定する等、ソフト上での配慮をお願いします。
(Recommendation : Reading three times or more at the cycle of 3 ms or more.)
(推奨: 3 ms 以上の周期で 3 回以上の読み込み)

| | | |
|---------------|---|-------------------------|
| Title 標準書名 | COMMON PRODUCT SPECIFICATION FOR INFORMATION 共通納入仕様書 | Rule No.11-10 記号番号 |
| Subject 品名 | ESE2400Type (2) ESE2400 形 (2) | 151-ESE-2400-2 (R 7) |

② Notes on circuit conditions (Continuation)

回路条件に関する注意事項 (続き)

3. Do not control by Flip-Flop Circuits etc.

フリップ-フロップ回路などでの制御をしないで下さい。

(Do not event control by voltage drop trigger on the falling edge etc.)

(電圧の立下がりエッジの検出によるイベント制御 など)

③ Prohibited items and notes on mounting and operating conditions

取付け及び使用条件に関する禁止及び注意事項

- (1) Design so that the load applied to the lever during operation is within the rated range of the Switch's lever strength.

ご使用の際、操作部にかかる力は、スイッチの操作部強度の規格範囲内で行えるように設計してください。

- (2) If multiple switches are placed side by side, or a switch is placed near another part, the gap between the switch and the adjacent switch/part must be at least 1mm to prevent from flux jumping and to ensure proper insulation distance.

スイッチを並べて、あるいは他の部品と隣接させて使用する場合は、フラックス上がりの防止及び絶縁距離の確保のため、スイッチとの間隔は最低 1 mm 空けてください。

- (3) Design and use so that external stresses is not constantly applied to the soldering parts in a set in any direction. External stress may cause pattern peeling and solder cracks on a PWB.

セットに取付けた状態で、はんだ付け部に各方向から常時外部応力が加わらないように、設計及び使用上ご配慮ください。プリント配線板のパターンの剥離やはんだにクラックが入る原因となります。

- (4) In case a switch body is mechanically fixed, care shall be taken so that mounting load is concentrated on the edge of the switch body (case).

スイッチ本体を機械的に固定される場合は、本体(ケース)のコーナー部に取付力が集中するようにご配慮をお願いします。

- (5) When mounting a switch (mounting to chassis or button mounting), take care so that no foreign matter enters the switch.

スイッチを取付けられる際(シャーシへの取付け、ボタン装着時等)、異物がスイッチ内に侵入しないようご注意ください。

- (6) Contact lubricant which is used in detector switches, may flow out to the exterior of the switch due to the structure. For design review, check the operating conditions sufficiently.

検出スイッチには接点潤滑剤を使用しておりますが、構造上スイッチの外部に潤滑剤が流出する可能性があります。設計検討の際には、使用条件等につきまして十分ご確認・ご配慮ください。

- (7) The switch is not dustproof and not waterproof. Therefore, avoid the following ambient surroundings and other conditions because they may affect performance.

スイッチは、防塵・防水ではありません。よって、以下の環境及び条件では性能に影響を受けることがありますので、ご使用は避けてください。

- Under an atmosphere of corrosive gas such as Cl₂, H₂S, NO_x, or SO₂.

Cl₂, H₂S, NO_x, SO₂等の腐食性ガス雰囲気中。

- In atmospheres of residual water drops, dew condensation, Adhesive water drops.

水滴残留、結露環境、水滴付着。

- In liquid such as water, salt solution, oil, chemicals, and organic solvents.

水、塩水、油、薬品、有機溶剤等の液体中。

- In direct sunlight.

直射日光の当たる場所。

- In dusty locations.

ほこり、粉塵の多い場所。

- (8) Avoid continuous operation with a switch constantly on NORMAL-CLOSE position.

常時 ON 状態(押したまま)で連続してのご使用は避けて下さい。

- (9) Avoid continuous operation at temperatures limit of "OPERATING TEMPERATURE".

使用温度範囲の限界温度付近で連続してのご使用は避けてください。

- (10) Design so that external stresses is not applied to the switch body when a set is used.

ご使用の際、スイッチの本体に外部応力が加わらないように設計してください。

- (11) Design so that the operating stroke amount is about 0.5mm longer than full travel of the switch.

スイッチの押し込み量は、フルストロークに対して 0.5 mm 程度の余裕をもたせるように設計してください。

- (12) Please use this switch for operating, that operating part will be operated both sides of right and left directions. (Do not operate only one side.)

当製品は、操作部を左右双方に操作させてご使用下さい。(片側のみの使用は避けて下さい。)

| | | |
|---------------|---|-------------------------|
| Title 標準書名 | COMMON PRODUCT SPECIFICATION FOR INFORMATION 共通納入仕様書 | Rule No.11-11 記号番号 |
| Subject 品名 | ESE2400Type (2) ESE2400 形 (2) | 151-ESE-2400-2 (R 7) |

④ Prohibited items and notes on storage conditions

保管条件に関する禁止及び注意事項

Since contact characteristics and soldering quality may deteriorate due to sulfuration and oxidation of the contacts and terminals, pay heed to the following items.

接点部や端子部の硫化及び酸化等により、接触特性やはんだ付け性に支障をきたす可能性がありますので以下の事項にご注意ください。

- (1) For storage and transport of the switches, avoid unpacking them, and store them at room temperature and room humidity. Use them as soon as possible, generally within 3 months, or within a maximum of 6 months after delivery.

スイッチの保管又は輸送時には、開梱せずに常温・常湿で保管し、納入後 3 ヶ月を目安とし、6 ヶ月以内を限度として、できるだけ早くご使用ください。

- (2) Do not store the switches under conditions of high temperature and / or high humidity, or in a location where corrosive gas may be generated.

高温多湿の場所及び腐食性ガスの発生する恐れのある場所での保管は避けてください。

- (3) If some units remain after unpacking, keeping them in custody in containers sealed up and applying adequate moisture-proof and gas proof treatment.

開梱後残品のある場合は、密封した容器等に保管し、適切な防湿、防ガス等の処置をしてください。