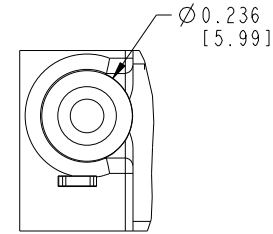
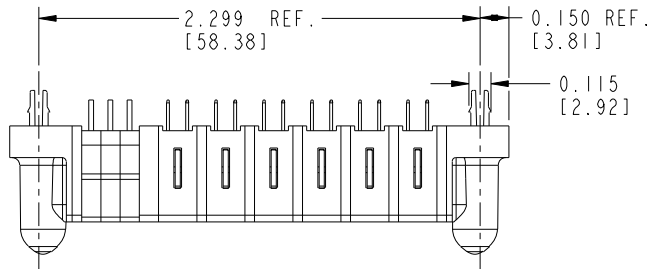


Tous droits strictement réservés. Reproduction ou communication a des tiers interdite sous quelque forme que ce soit sans autorisation écrite du propriétaire. Propriété de c FCI. Droits de reproduction FCI.

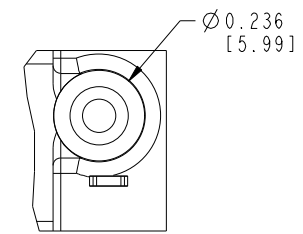
All rights strictly reserved. Reproduction or issue to third parties in any form whatever is not permitted without written authority from the proprietor. Property of FCI. Copyright FCI.



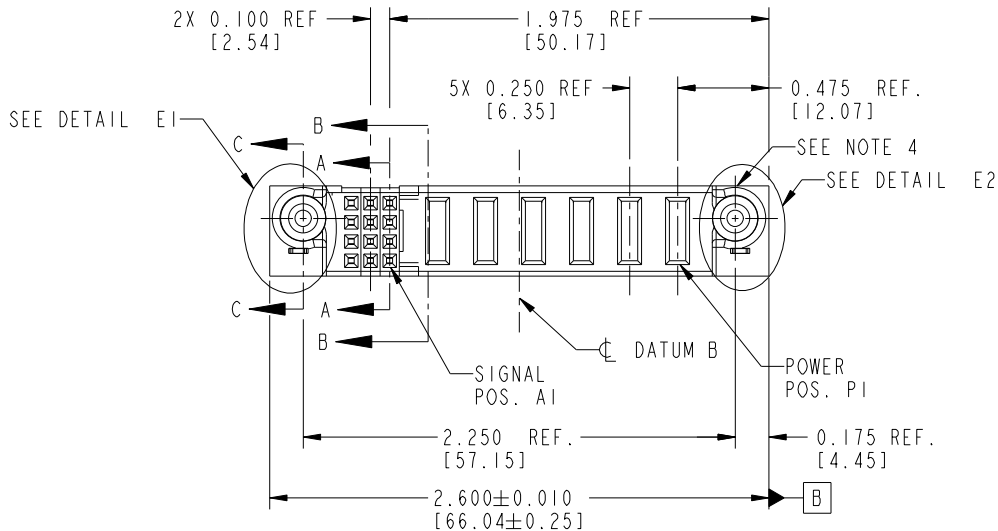
PRODUCT NO. 51752-009_- NOTE ③	ROWS D C B A	E2	SIG.			POWER						E1
			3	2	1	P6	P5	P4	P3	P2	P1	



DETAIL E1
SCALE 2:1



DETAIL E2
SCALE 2:1



CODE	DIM "M" MATING LENGTH	CONTACT TYPE
PD	0.092 [2.34]	POWER
HA	N/A [N/A]	HOLD-DOWN
E	N/A [N/A]	SIGNAL
PA	0.042 [1.07]	POWER

mat'l code				SEE NOTE 2		tolerances unless otherwise specified		CUSTOMER		FCI www.fciconnect.com	
lfr	ecn no.	dr	date	linear	.XX±.01/0.X±0.3	projection		COPY		title	
F	DG05-0282	SW	08/04/05		.XXX±.005/0.XX±0.13	INCH/MM		6P + 12S		VERTICAL SOLDER RECEPT	
G	DG06-0366	JMG	08/30/06	angles	.XXX±.0020/0.XXX±0.051	scale		product family		code	
H	DG06-0367	JULIA	09/07/06		0°±2°	1:1		PwrBlade		213	
				dr	M. MOSTOLLER			size		dwg no	
				enrg	M. MOSTOLLER			A		51752-009	
				chr	H. BREWBAKER			sheet		1 of 4	
				appd	M. MOSTOLLER			1 of 4			
sheet index	revision sheet	H	H	H	H						
		1	2	3	4						

Pro/E

PDM: Rev: H

STAT: Released

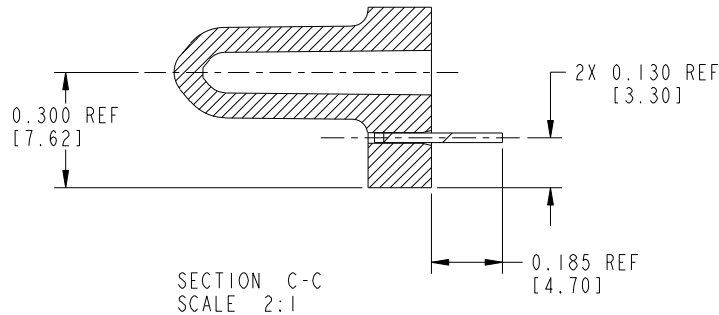
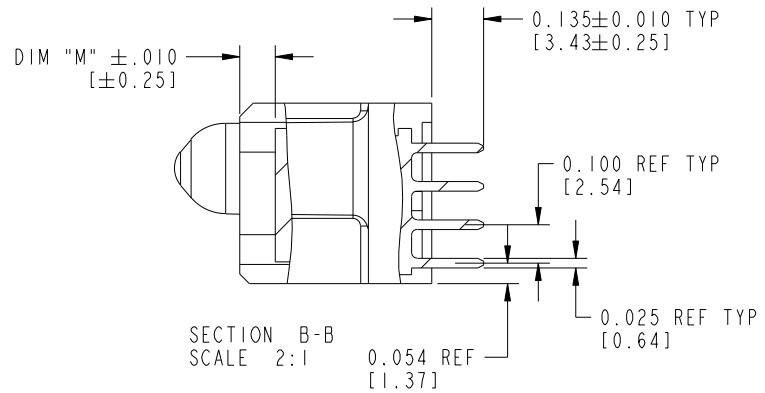
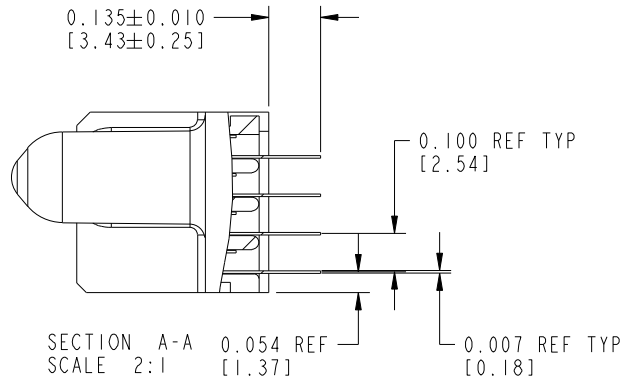
Printed: Dec 20, 2010

Tous droits strictement réservés. Reproduction ou communication a des tiers interdite sous quelque forme que ce soit sans autorisation écrite du propriétaire. Propriété de c FCI. Droits de reproduction FCI.



All rights strictly reserved. Reproduction or issue to third parties in any form whatever is not permitted without written authority from the proprietor. Property of FCI. Copyright FCI.

PRODUCT NUMBER
51752-009__
NOTE ③



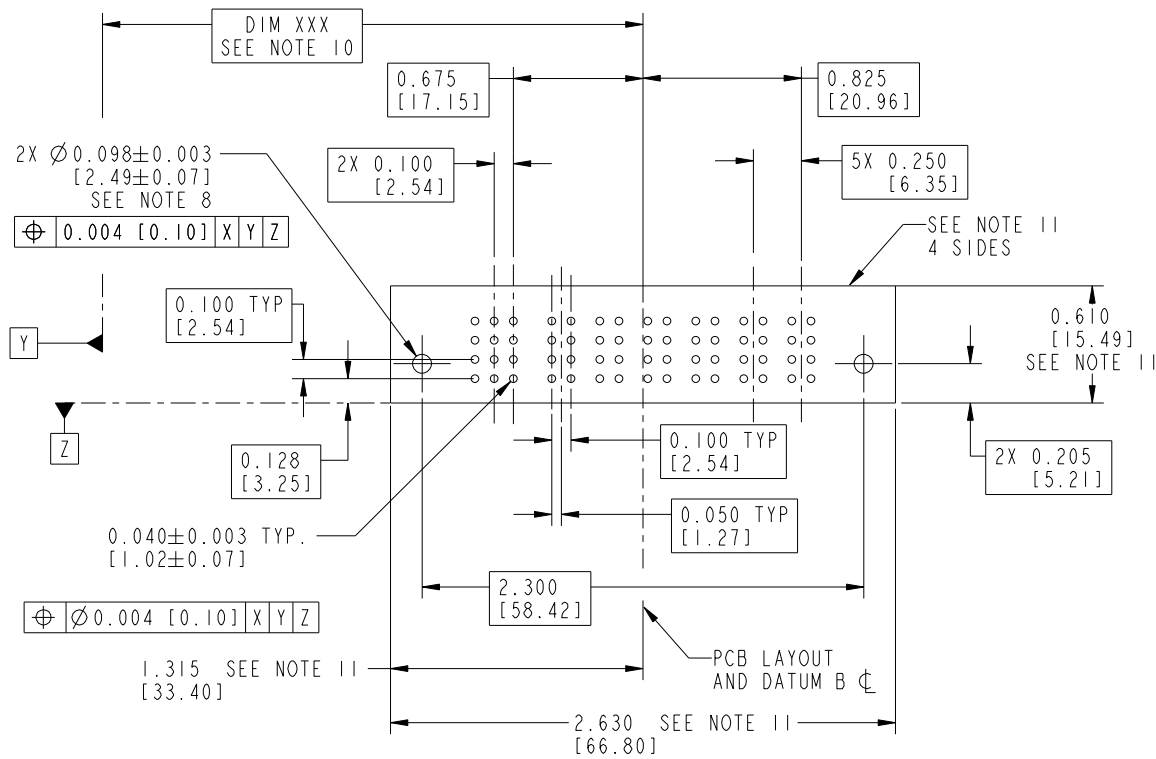
mat'l code		SEE NOTE 2		tolerances unless otherwise specified		CUSTOMER		FCI	
lir	ecn no.	dr	date	linear	.XX±.01/0.X±0.3	COPY		www.fciconnect.com	
H				angles	.XXX±.005/0.XX±0.13	projection		title 6P + 12S	
					.XXX±.0020/0.XXX±0.051	INCH/MM		VERTICAL SOLDER RECEPT	
				dr	0°±2°	scale		product family PwrBlade	
				enr	M. MOSTOLLER 7/11/03	1:1		code 213	
				chr	M. MOSTOLLER 7/11/03			size dwg no	
				appd	H. BREWBAKER 7/11/03			A 51752-009	
					M. MOSTOLLER 7/11/03			sheet 2 of 4	
sheet index	revision sheet								

Tous droits strictement réservés. Reproduction ou communication a des tiers interdite sous quelque forme que ce soit sans autorisation écrite du propriétaire. Propriété de c FCI. Droits de reproduction FCI.



All rights strictly reserved. Reproduction or issue to third parties in any form whatever is not permitted without written authority from the proprietor. Property of FCI. Copyright FCI.

PRODUCT NUMBER
51752-009__
NOTE (3)



mat'l code		SEE NOTE 2		tolerances unless otherwise specified		CUSTOMER		FCI	
lir	ecn no.	dr	date	linear	.XX±.01/0.X±0.3	COPY		www.fciconnect.com	
H				angles	.XXY±.005/0.XX±0.13	projection		title 6P + 12S	
					.XXX±.0020/0.XXX±0.051	INCH/MM		VERTICAL SOLDER RECEPT	
				dr	0°±2°	scale		product family PwrBlade	
				enrg	M. MOSTOLLER 7/11/03	1:1		code 213	
				chr	M. MOSTOLLER 7/11/03			size dwg no	
				appd	H. BREWBAKER 7/11/03			A 51752-009	
					M. MOSTOLLER 7/11/03			sheet 3 of 4	
sheet index	revision sheet								

cage code 22556

Pro/E

PDM: Rev: H

STATUS: Released

Printed: Dec 20, 2010

Tous droits strictement réservés. Reproduction ou communication a des tiers interdite sous quelque forme que ce soit sans autorisation écrite du propriétaire. Propriété de c FCI. Droits de reproduction FCI.



All rights strictly reserved. Reproduction or issue to third parties in any form whatever is not permitted without written authority from the proprietor. Property of FCI. Copyright FCI.

1 | 2

3 |

4

PRODUCT NUMBER
51752-009__
NOTE (3)

NOTES:

1. DIMENSIONS AND TOLERANCES ARE IN ACCORDANCE WITH ASME Y14.5M, 1994 UNLESS OTHERWISE SPECIFIED.

CONNECTOR NOTES:

(2) HOUSING MATERIAL: UL 94 V-0 GLASS FILLED
HIGH-TEMP THERMOPLASTIC
POWER CONTACT MATERIAL: COPPER ALLOY
SIGNAL PIN MATERIAL: COPPER ALLOY

3. 51752-009;51752-009LF;51752-009GLF PLATING SPEC. SEE PRINT:10064183

(4) MANUFACTURER'S NAME, P/N, AND DATE CODE TO APPEAR ON THIS SURFACE.

5. PRODUCT SPECIFICATION GS-12-149.
APPLICATION SPECIFICATION BUS-20-067.

6. PACKAGED IN TRAYS.

PCB NOTES:

7. ALL HOLE DIAMETERS ARE FINISHED HOLE SIZE.

(8) MOUNTING HOLES, WHERE APPLICABLE, ARE UNPLATED.

(9) $\varnothing .0453 \pm .0010$ [1.151 \pm 0.025] DRILLED HOLES PLATED WITH .0003 [0.008] MIN SnPb OR Sn OVER .001 [0.03] TO .003 [0.08] Cu PLATING TO ACHIEVE $\varnothing .040 \pm .003$ [1.02 \pm .07] HOLE.

(10) "DIM XXX" TO BE DETERMINED BY THE CUSTOMER.

(11) CONNECTOR KEEP-OUT ZONE.

mat'l code		SEE NOTE 2		tolerances unless otherwise specified		CUSTOMER		FCI		www.fciconnect.com	
lir	ecn no.	dr	date	linear	.XX±.01/0.X±0.3	COPY		projection		title	
H					.XX±.005/0.XX±0.13	⊕		↔		6P + 12S	
				angles	.XXX±.0020/0.XXX±0.051	↔		↔		VERTICAL SOLDER RECEPT	
					0°±2°	INCH/MM		product family		code	
				dr	M. MOSTOLLER 7/1/03	↔		PwrBlade		213	
				engr	M. MOSTOLLER 7/1/03	scale		size		sheet	
				chr	H. BREWBAKER 7/1/03	1:1		A		4 of 4	
				appd	M. MOSTOLLER 7/1/03			51752-009			
sheet index	revision sheet										

A

A

B

B

1 | 2

Pro/E

PDM: Rev: H

STATUS: Released

Printed: Dec 20, 2010

cage code 22526

4