



PRODUCT NUMBER
20020334-XXXXXXXXLF

20020334- [ ] [ ] [ ] [ ] [ ] [ ] [ ] LF

PITCH  
B: 2.54 mm

POLES

2: 2 POLES  
 3: 3 POLES  
 : :  
 24: 24 POLES

LF: DENOTED ROHS COMPATIBLE

1 : STANDARD PRODUCT  
W/ BOX PACKING

SCREW CODE

CODE	SCREW TYPE	AVAILABILITY
A	-/+	ON REQUEST ONLY
B	-	STANDARD

PROPERTY TABLE	
PITCH (mm)	2.54
VOLTAGE RATING (VAC)	150
CURRENT RATING (A)	6
APPLICABLE WIRE RANGE (AWG)	SOLID 18~30 STRANDED 18~30
WIRE CROSS SECTION (mm <sup>2</sup> )	0.34~2.5
WIRE STRIP LENGTH(mm)	4~5
TORQUE +/- 10% (N-m/Lb-in)	0.15/1.3
SCREW	M1.6
WITHSTANDING VOLTAGE (kV)	1.3
OPERATING TEMP. (°C)	-40~+115
SOLDERING TEMP. (°C)	250±10 / 5 sec
POLES AVAILABLE	02~24
SAFETY CERTIFICATE	

HOUSING CODE

CODE	COLOR	AVAILABILITY
1	GREEN(RAL 6018/T)	STANDARD
2	BLACK(RAL9005)	ON REQUEST ONLY
3	GREY(RAL7035/D)	ON REQUEST ONLY
4	BLUE(RAL 5015/A)	ON REQUEST ONLY

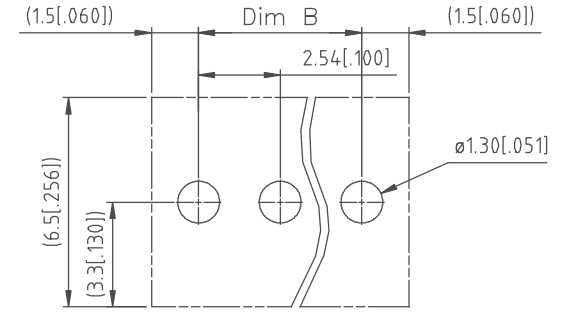
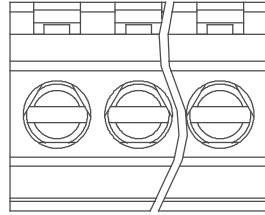
NOTES:

- MATERIAL:
  - 1-1 TOP HOUSING: THERMOPLASTIC UL94V-0 RATED.
  - 1-2 SREW: STEEL ZINC PLATED
  - 1-3 CLAMP: COPPER ALLOY, NICKEL PLATED
  - 1-4 TERMINAL: COPPER ALLOY, TIN PLATED.:
- PRODUCT SPECIFICATION REFER TO FCI GS-12-625.
- PRODUCT PACKING SPECIFICATION REFER TO FCI GS-14-1394.
- THE PRODUCTS WHERE THE PART NUMBER END IN "LF" MEET THE EUROPEAN UNION DIRECTIVE AND OTHER COUNTRY REGULATIONS AS DESCRIBED IN GS-22-008.
- RECOMMENDED SOLDERIN PROCESS BY WAVE SOLDER.

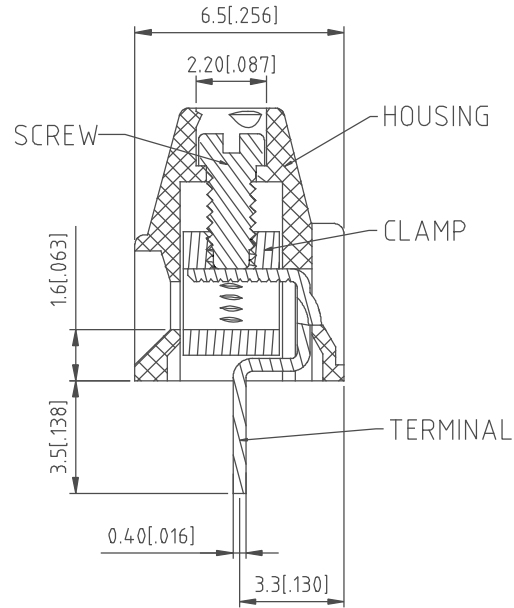
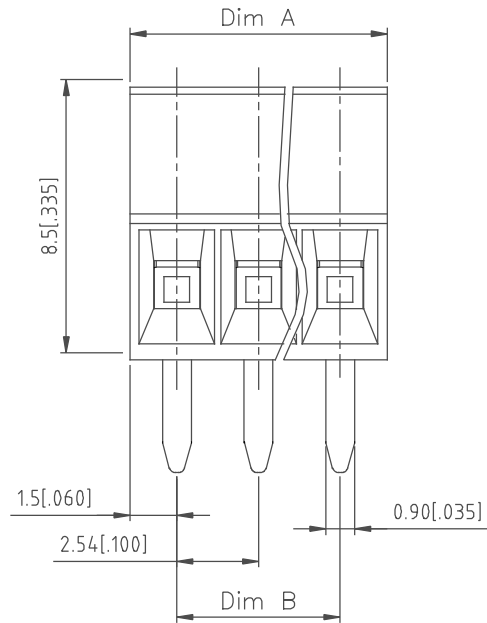
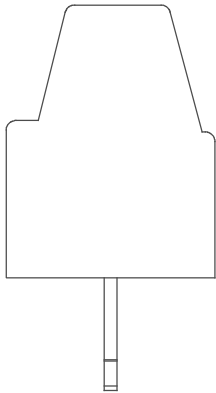
mat'l. code		surface ASME Y14.5 <input checked="" type="checkbox"/>	tolerance ASME Y14.5	projection	product family TERMINAL BLOCK
ltr	ecn no	dr	date	tolerances unless otherwise specified	title
A	T10-0176	WL	110110	angles X.±0.5	TERMINAL BLOCK
B	T-012057	LS	082912	form X.X±0.3	
C	T-012709	LS	083012	fit X'±1'	FIXED RISING CLAMP, SIGNAL
D	T-012725	LS	083112	dr WENDY CHEN 102210	dwg no 20020334
				enr JASON HSU 102210	sheet 1 of 2 size A4
				chr JSAON HSU 102210	type CUSTOMER Drawing
				appd JASON HSU 102210	
sheet index	revision sheet	D 1	D 2		



PRODUCT NUMBER	PITCH
20020334-BXXXXXXLF	2.54 mm



P.C.B. LAYOUT



N = Number of poles  
 Dim A =  $N \times 2.54[.100] + 0.4[.016]$   
 Dim B =  $(N-1) \times 2.54[.100]$

	Dim A	Dim B
2-6p	$\pm 0.15[.006]$	$\pm 0.10[.004]$
7-12p	$\pm 0.20[.008]$	$\pm 0.20[.008]$
13-18p	$\pm 0.30[.012]$	$\pm 0.25[.010]$
19-24p	$\pm 0.40[.016]$	$\pm 0.30[.012]$

mat'l. code		surface ASME Y14.5	tolerance ASME Y14.5	projection 	product family TERMINAL BLOCK
ltr	ecn no	dr	date	title	
d				TERMINAL BLOCK	
				FIXED RISING CLAMP, SIGNAL	
				scale	dwg no
					sheet 2 of
					size
					20020334
					A4
					type
					CUSTOMER Drawing
sheet index	revision sheet				

