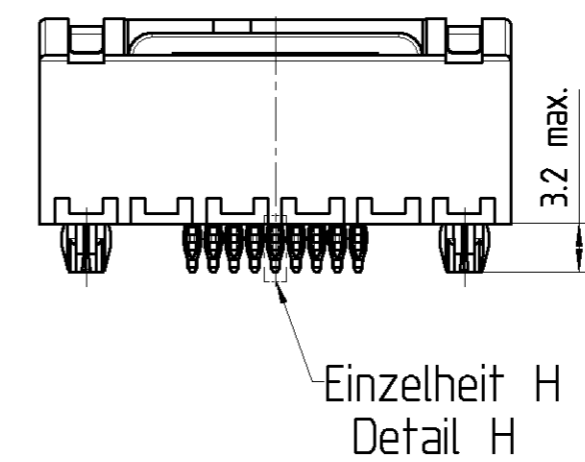
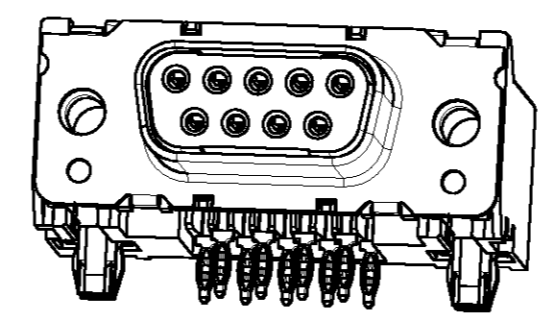
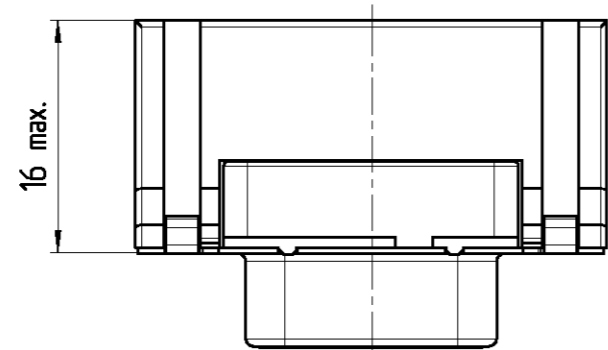
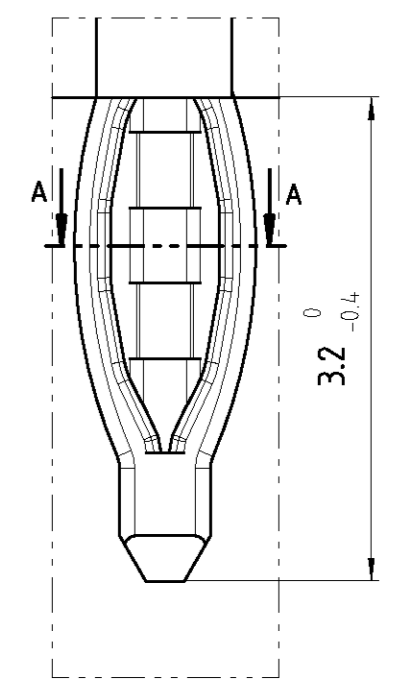


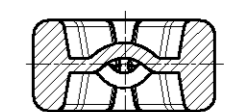
alle Kontakte/all contacts
 ϕ 0.13 (M)



Einzelheit H (20:1)
Detail H (20:1)



Schnitt AA (20:1)
Section (20:1)



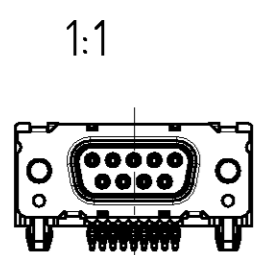
- 4) Plated-through hole ; incl. plating suitable for compliant press-in zone
PCB-plating-through : 5...15 μ m Sn or SnPb over min. 25 μ m Cu
Drilled holes : ϕ 1.15 \pm 0.025 and ϕ 3.15 \pm 0.025
- 3) torquereffention \geq 70 Ncm
- 2) according to DIN 41611 p.5, DIN IEC 353-5; incl. plating
- 1) according to DIN 41652 p.2 and p.4

- 4) Durchmetallisierte Löcher; incl. Oberflächenbehandlung
Geeignet für elastische Einpreßzonen
Metallierung des Loches: 5...15 μ m Sn oder SnPb über min. 25 μ m Cu
Bohrdurchmesser: ϕ 1.15 \pm 0.025 und ϕ 3.15 \pm 0.025
- 3) Verdrehsicherheit \geq 70 Nm
- 2) Nach DIN 41611 T.5, DIN IEC 352-5; incl. Oberflächenbehandlung
- 1) Nach DIN 41652 T.2 und T.4

Sachnr./Ordercode V23529-R1****-	Polzahl n Contacts n	Maß/Dimension			
		A	B	C	D
B*09	09	31.19	16.46	25.00 $^{+0.12}_{-0.13}$	2.74
B*15	15	39.52	24.79	33.30 $^{+0.15}_{-0.1}$	2.74
B*25	25	53.42	38.50	47.04 $^{+0.13}_{-0.13}$	2.76
B*37	37	69.70	54.96	63.50 $^{+0.13}_{-0.13}$	2.76

Anforderungsstufe 1)
performance level 1)

Sachnr./Ordercode V23529-	Maß/Dimension ϕ G
R1*02-B***	M3
R1*03-B***	4-40UNC

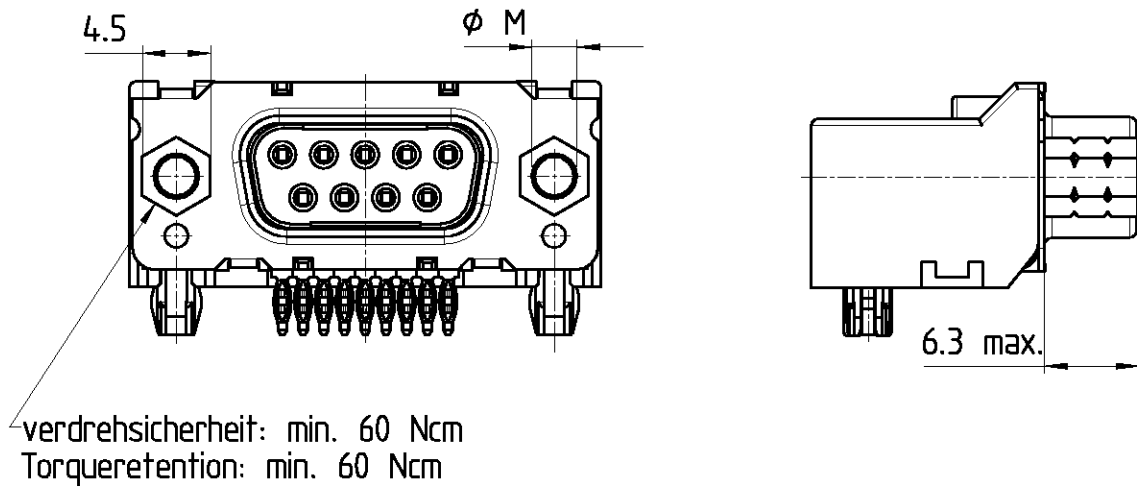


Dargestellt wird die 9-polige Ausführung V23529-R1202-B209
On the drawing : the 9 pole version V23529-R1202-B209

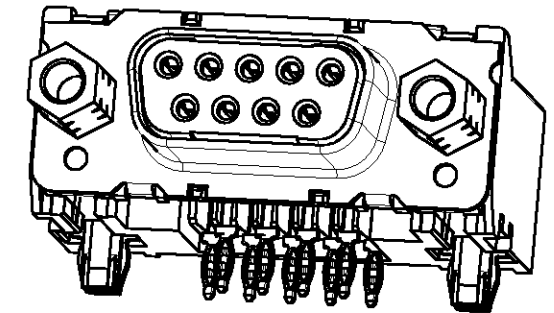
<small>PROPRIETARY</small> THIS INFORMATION IS CONFIDENTIAL AND PROPRIETARY TO TYCO ELECTRONICS CORPORATION AND ITS WORLDWIDE SUBSIDIARIES AND AFFILIATES. IT MAY NOT BE DISCLOSED TO ANYONE, OTHER THAN TYCO ELECTRONICS PERSONNEL, WITHOUT WRITTEN AUTHORIZATION FROM TYCO ELECTRONICS CORPORATION, HARRISBURG, PENNSYLVANIA USA.		CHANGES TO THIS DRAWING MUST BE DONE ONLY IN CAD	PAPER SIZE A2
APPLICABLE SPEC.:		FINISH DIMENSIONS APPLY PLATING	
Tyco Electronics Corporation Oostkamp - Belgium		SCALE 2:1; 20:1; 1:1 WEIGHT	
DATE 07.02.96 NAME Sterckx APP: EC CS CI		MATERIAL Sub-D 90° abgewinkelt Standard Einpreß Buchsenleiste D-Sub 90° angled standard press fit Socket	
03 W000/2525 25.05.00 KV 02 W097/4510 14.8.97 RST 01 23.1.97 RST 51 7.2.96 RST	TOLERANCE UNLESS SPECIFIED OTHERWISE		NO. V23529-R****-B****-7427 SHT. 1 OF 2
REV. CHANGE ORDER DATE APP.			

PROPRIETARY: THIS INFORMATION IS CONFIDENTIAL AND PROPRIETARY TO TYCO ELECTRONICS CORPORATION AND ITS WORLDWIDE SUBSIDIARIES AND AFFILIATES. IT MAY NOT BE DISCLOSED TO ANYONE, OTHER THAN TYCO ELECTRONICS PERSONEL, WITHOUT WRITTEN AUTHORIZATION FROM TYCO ELECTRONICS CORPORATION, HARRISBURG, PENNSYLVANIA USA.

Ausführung mit Gewindebolzen
 Version with studbolt
 V23529-R1*04/R1*05-B***



Sachnr./Ordercode V23529-	Maß/Dimension Ø M
S1*04-B***	M3
S1*05-B***	4-4.0UNC



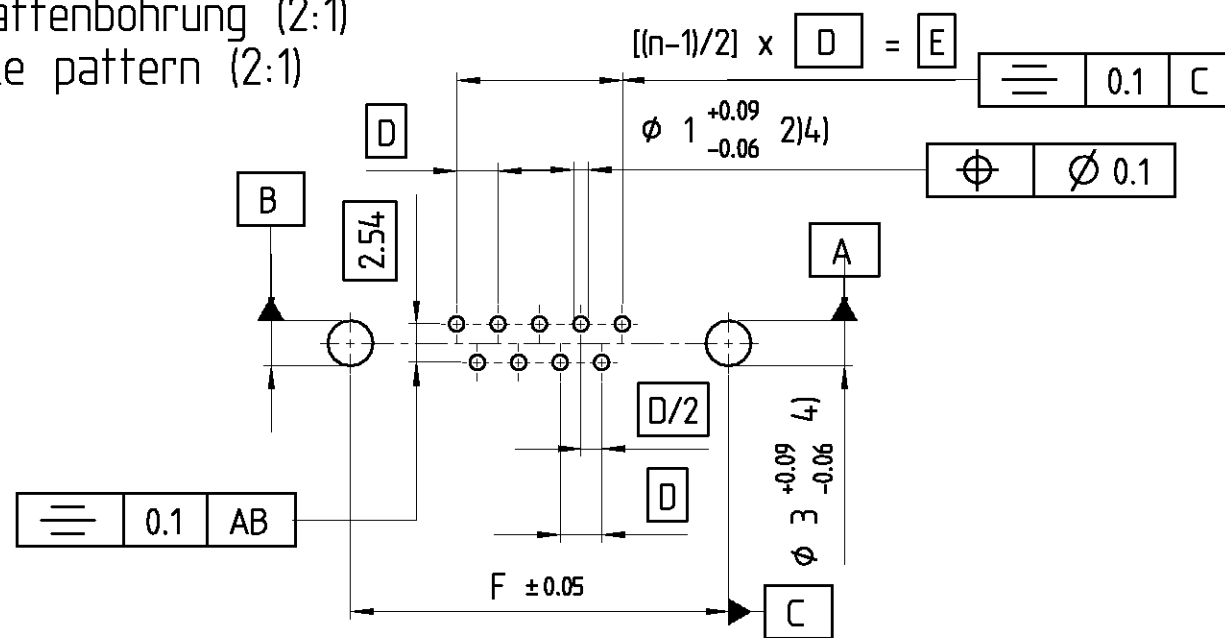
Verpreßhinweis
 press-in information

Einpressen über Kunststoff mit:
 - 2-Hub-Press 60kN : V23599-P2006-E2
 - Einpreßmaschine 60/100 kN : V23599-E3005-E1...4
 Zu verwendenden Werkzeuge :
 - Drückstück : V23599-E6006-E4
 - Amboß ; V23599-E5013-E3
 Einstellhöhe : Abstand zwischen LP und
 angedrucktem Stempel : 11.15...11.3mm

pressing in via the plastic body :
 - 2-stroke press 60kN : V23599-P2006-E2
 - press-fit machine 60/100kN : V23599-E3005-E1...4
 pressing-i tools :
 -Compression tool : V23599-E6006-E4
 -anvil : V23599-E5013-E3
 set-up heights : distance between PCB and
 compression tool : 11.15...11.3 mm

Erläuterungen siehe Seite 1
 Remarks see page 1

Leiterplattenbohrung (2:1)
 PCB hole pattern (2:1)



Sachnr./Ordercode V23529-S1***-	Polzahl n Contacts n	Maß/Dimension		
		D	E	F
B*09	09	2.74	10.96	25.00
B*15	15	2.74	19.18	33.30
B*25	25	2.76	33.12	47.04
B*37	37	2.76	49.68	63.50

Anforderungsstufe 1)
 performance level 1)

APPLICABLE SPEC.:				FINISH	
Tyco Electronics Corporation Oostkamp - Belgium				DIMENSIONS APPLY PLATING	
DATE: 7.2.96 NAME: Sterckx DEP.: CI PD				SCALE: 2:1	WEIGHT
DIMENSIONS IN MM				MATERIAL	
03 W000/2525 25.05.00 KV 02 W097/4510 14.8.97 RST 01 23.1.97 RST 51 7.2.96 RST				NAME: Sub-D 90° abgewinkelt Standard Einpreß Buchsenleiste D-Sub 90° angled standard press fit Socket	
REV. CHANGE ORDER DATE APP.				NO. V23529-R****-B****-7427	SHT. 2-
				DF 2	