

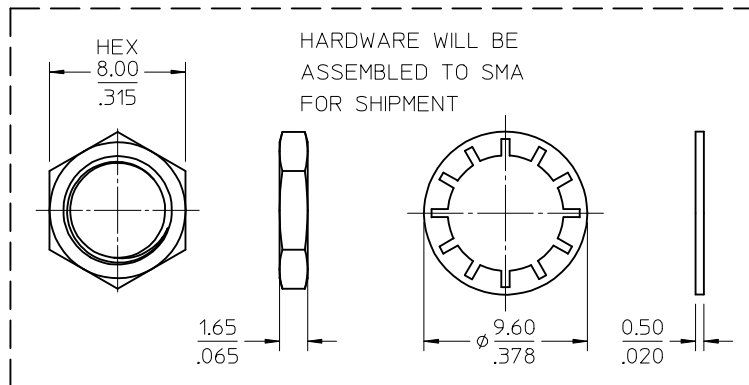
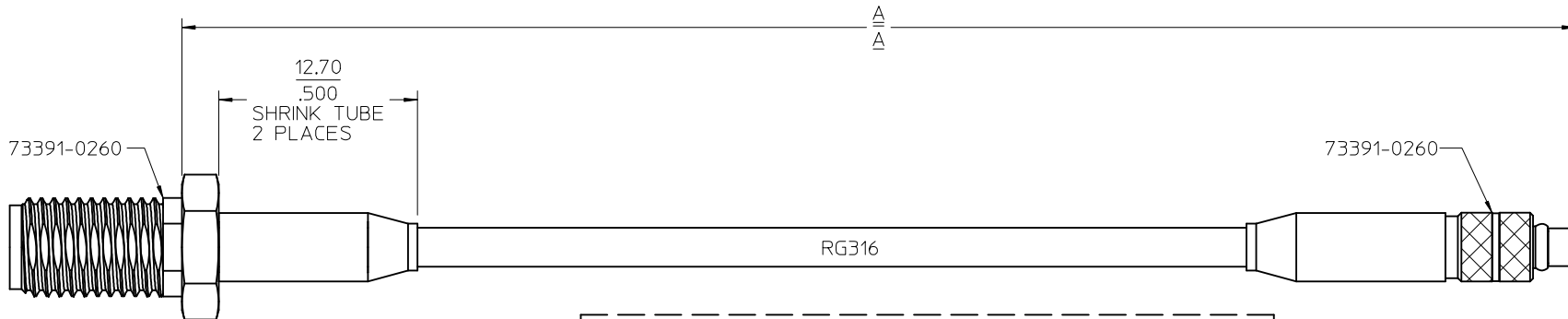
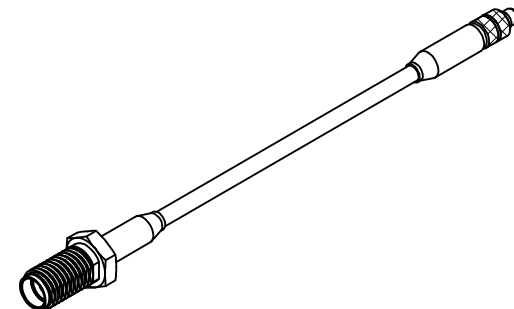
MATERIALS AND FINISHES

SMA JACK: SEE SD-73391-026

MMCX PLUG: SEE SD-73415-125

CABLE: RG316

SHRINK TUBE: VERSAFIT



CABLES WILL BE INDIVIDUALLY BAGGED

BAG LABEL:
MOLEX: P/N
DATE CODE

89761-6812	18.0±.35	457.2±8.89	POLYBAG
89761-6811	12.0±.25	304.8±6.35	POLYBAG
89761-6810	6.00±.25	152.4±6.35	POLYBAG
PART NO.	IN	MM	PACKAGING
A			

CECC-22-340	INTERFACE MMCX
MIL-STD-348A, FIG. 310.2	INTERFACE SMA
SPECIFICATION	DESCRIPTION

CHG: REGENERATED IN SYSTEM PER RF12-E082	EC NO: URF2013-0035	2012/07/12
	DRWNR:YEH	2012/07/28
CHKD:	APPR:MHUANG	2012/07/28
REV	DESCRIPTION	QUALITY SYMBOLS
A2		▽=0

GENERAL TOLERANCES (UNLESS SPECIFIED)	DIMENSION STYLE	SCALE	DESIGN UNITS	THIRD ANGLE PROJECTION
4 PLACES ± --- ± ---	MM/IN	4.5:1	METRIC	☉
3 PLACES ± --- ± ---				
2 PLACES ± --- ± ---				
1 PLACE ± --- ± ---				
0 PLACE ± --- ± ---				
ANGULAR ± 2 °		MATERIAL NO.		
DRAFT WHERE APPLICABLE MUST REMAIN WITHIN DIMENSIONS		SEE TABLE		

DRAWN BY	DATE	TITLE
AZR	2009/01/08	CA SMA JACK STR BKHD TO MMCX PLUG STR W/RG316
CHECKED BY	DATE	CA-SMAJ/MMCXP, EWR-3874
SSS	2009/01/08	
APPROVED BY	DATE	
JDW	2009/01/08	
DOCUMENT NO.		SHEET NO.
SD-89761-681		1 OF 1

THIS DRAWING CONTAINS INFORMATION THAT IS PROPRIETARY TO MOLEX INCORPORATED AND SHOULD NOT BE USED WITHOUT WRITTEN PERMISSION	
---	--