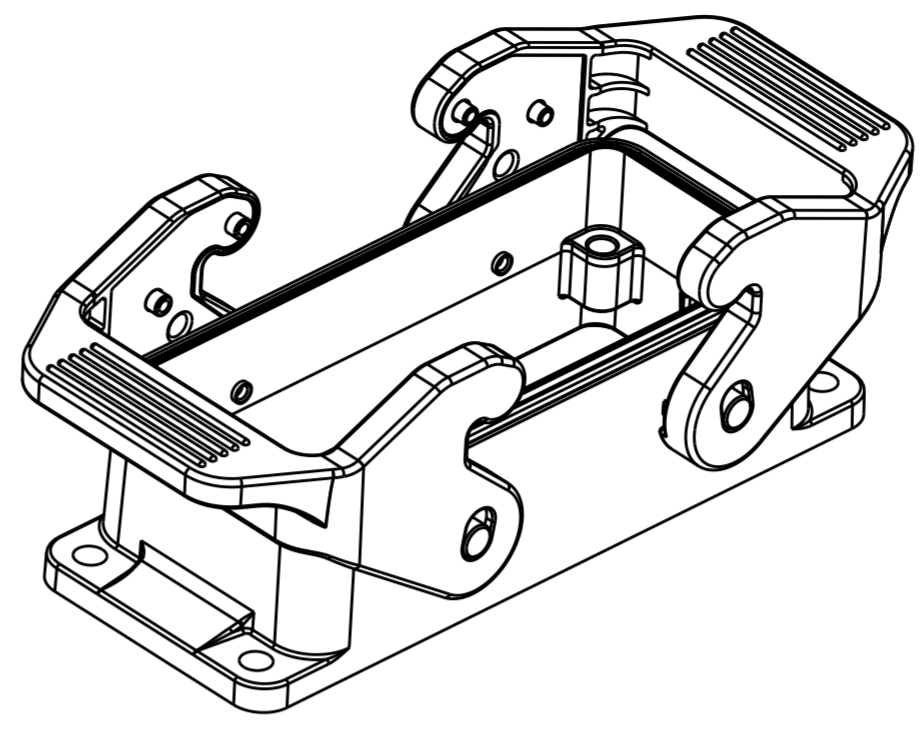
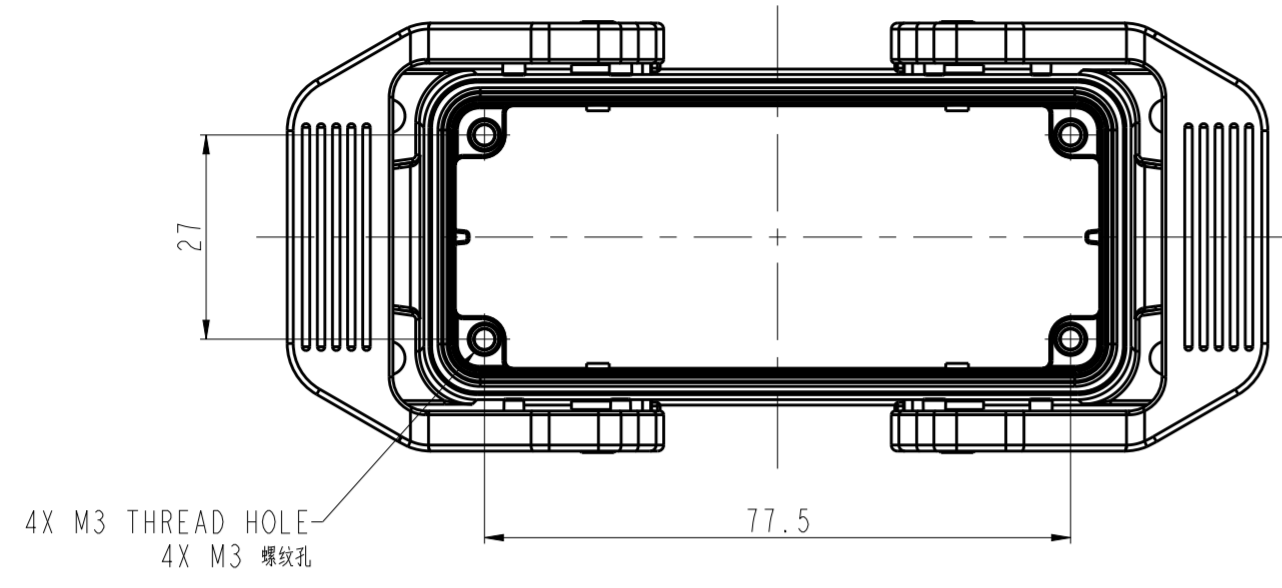


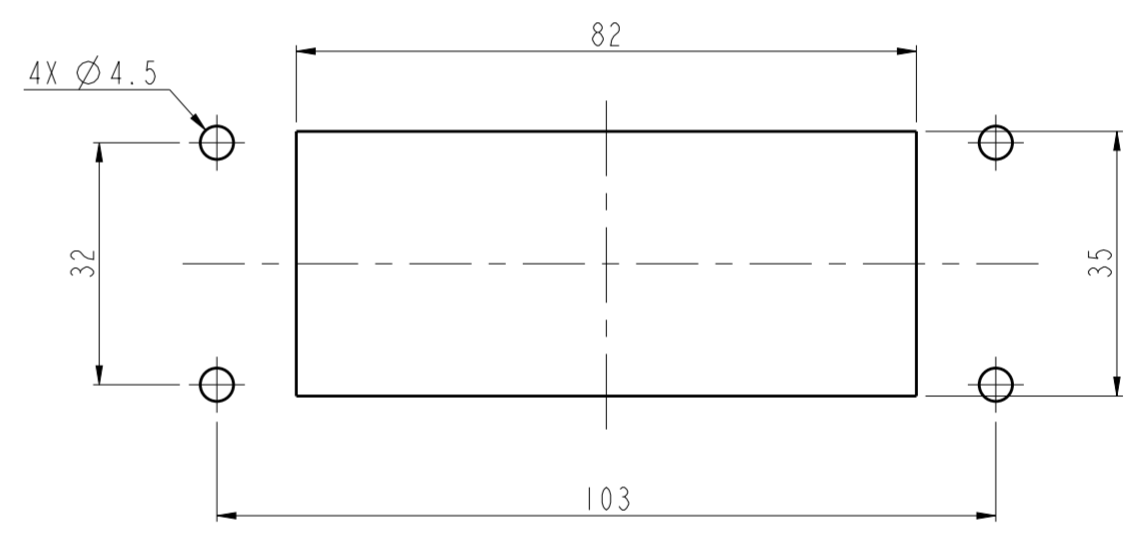
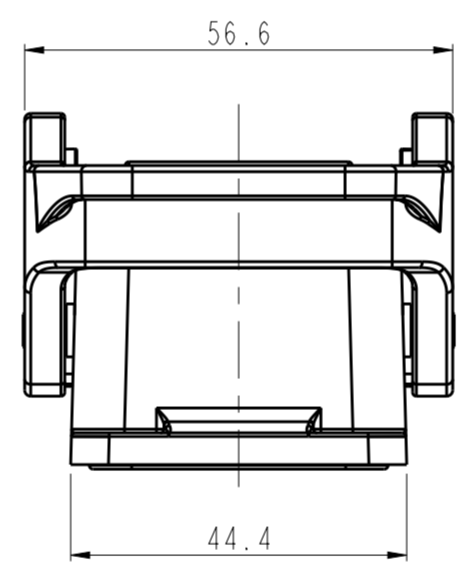
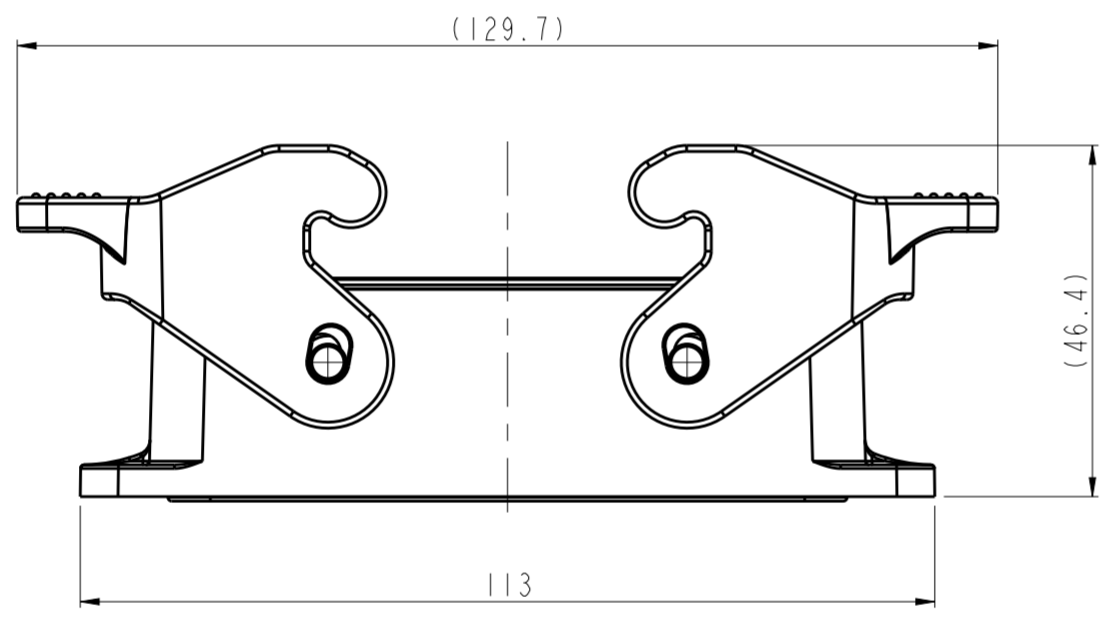
THIS DRAWING IS UNPUBLISHED. RELEASED FOR PUBLICATION 20  
 © COPYRIGHT 20 BY - ALL RIGHTS RESERVED.

REVISIONS				
P	LTR	DESCRIPTION	DATE	APVD
	A	INITIAL	28OCT2017	QY CW

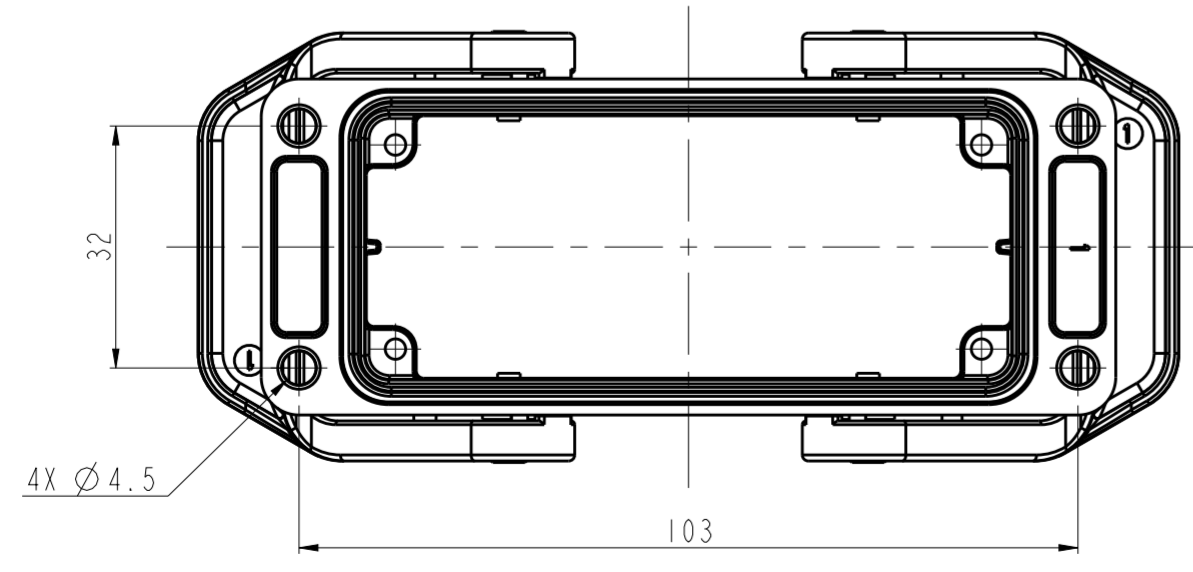


NOTES:  
 1. TECHNICAL CHARACTERISTICS:  
 HOOD MATERIAL: DIE CAST ALUMINIUM ALLOY  
 SURFACE: CONDUCTIVE PAINTING  
 DEGREE OF PROTECTION: IP65 (MATED)

注释:  
 1. 技术参数:  
 外壳材料: 铝合金  
 表面处理: 喷导电漆  
 防护等级: IP65(配合)



RECOMMENDED PANEL CUT OUT DIMENSIONS  
推荐面板开孔尺寸



T1415164000-000	H16B-AG-SL-EMC	H16B EMC HOUSING, BULKHEAD MOUNTED, PLASTIC DOUBLE LOCKING H16B屏蔽下壳, 开孔安装, 塑料双扣
PART NUMBER 料号	PART DESCRIPTION 描述	

THIS DRAWING IS A CONTROLLED DOCUMENT.		DWN 28OCT2017 QIANG YUAN	TE Connectivity
DIMENSIONS: mm		CHK 28OCT2017 GINO YAO	
TOLERANCES UNLESS OTHERWISE SPECIFIED:		APVD 28OCT2017 CHRIS WANG	
0 PLC ± 1 PLC ± 2 PLC ± 3 PLC ± 4 PLC ± ANGLES ± FINISH -		PRODUCT SPEC 108-137016 APPLICATION SPEC 114-137016 WEIGHT -	
MATERIAL	-	CUSTOMER DRAWING	NAME H16B-AG-SL-EMC SIZE A2 CAGE CODE 00779 DRAWING NO. T1415164000000 RESTRICTED TO - SCALE 1:1 SHEET OF REV A