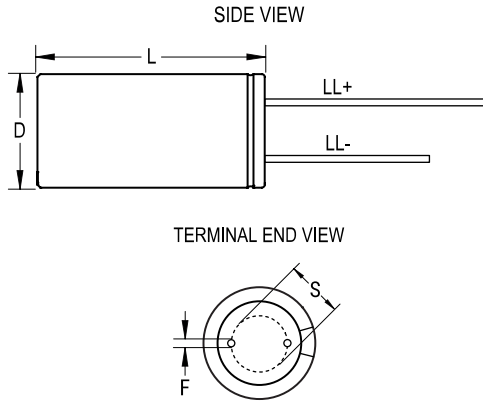


ESH, Aluminum Electrolytic, 105C, 10 uF, 20%, 100 VDC, -40/+105C, Lead Spacing = 2.5mm



**Dimensions**

<b>D</b>	6.3mm +/-0.5mm
<b>L</b>	11mm +1.5mm
<b>S</b>	2.5mm +/-0.5mm
<b>LL Negative</b>	15mm MIN
<b>LL Positive</b>	20mm MIN
<b>F</b>	0.5mm NOM

**Packaging Specifications**

<b>Packaging:</b>	Bulk, Bag
<b>Packaging Quantity:</b>	10000

**General Information**

<b>Supplier:</b>	KEMET
<b>Series:</b>	ESH
<b>Dielectric:</b>	Aluminum Electrolytic
<b>Description:</b>	High CV Single Ended Aluminum Electrolytic
<b>Features:</b>	High CV
<b>RoHS:</b>	Yes
<b>Lead:</b>	Wire Leads

**Specifications**

<b>Capacitance:</b>	10 uF
<b>Capacitance Tolerance:</b>	20%
<b>Voltage DC:</b>	100 VDC, 125 VDC (Surge)
<b>Temperature Range:</b>	-40/+105C
<b>Rated Temperature:</b>	105C
<b>Life:</b>	2000 Hrs
<b>Dissipation Factor:</b>	10.00% 120Hz 25C
<b>Ripple Current:</b>	65 mAmps (120Hz 105C)
<b>Leakage Current:</b>	10 uA (2min 20C)
<b>Impedance Ratio at -25C:</b>	2
<b>Impedance Ratio at -40C:</b>	3