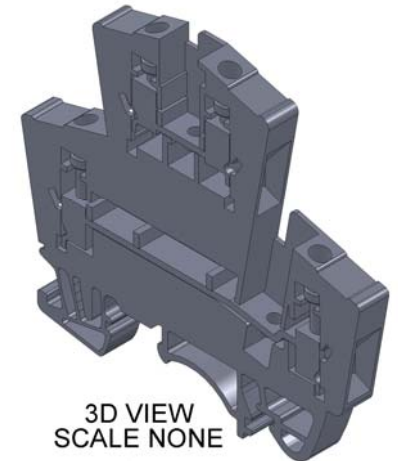
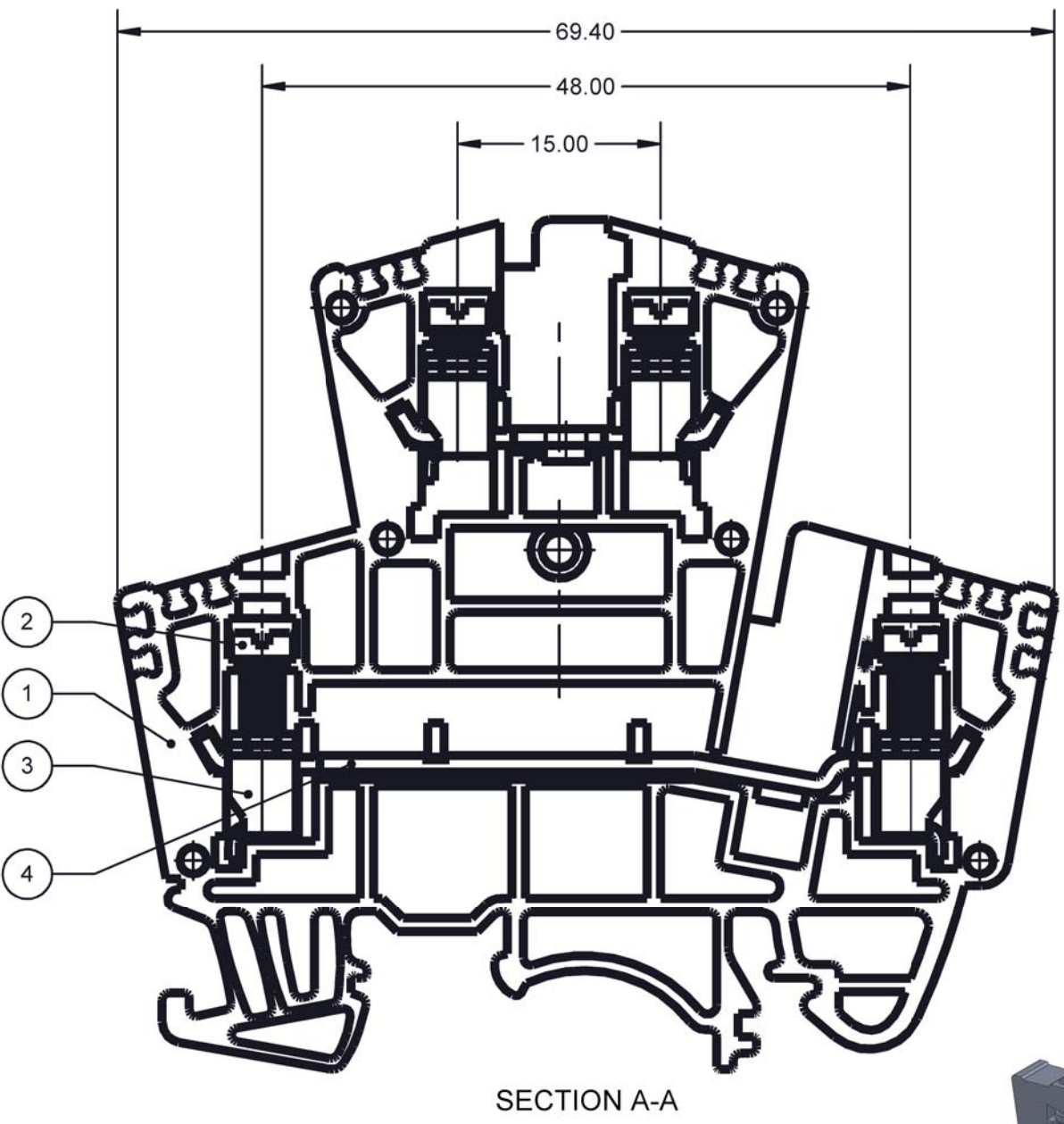
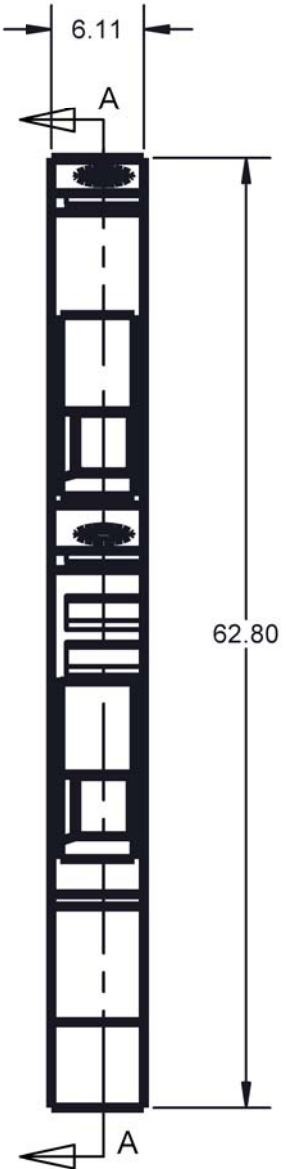
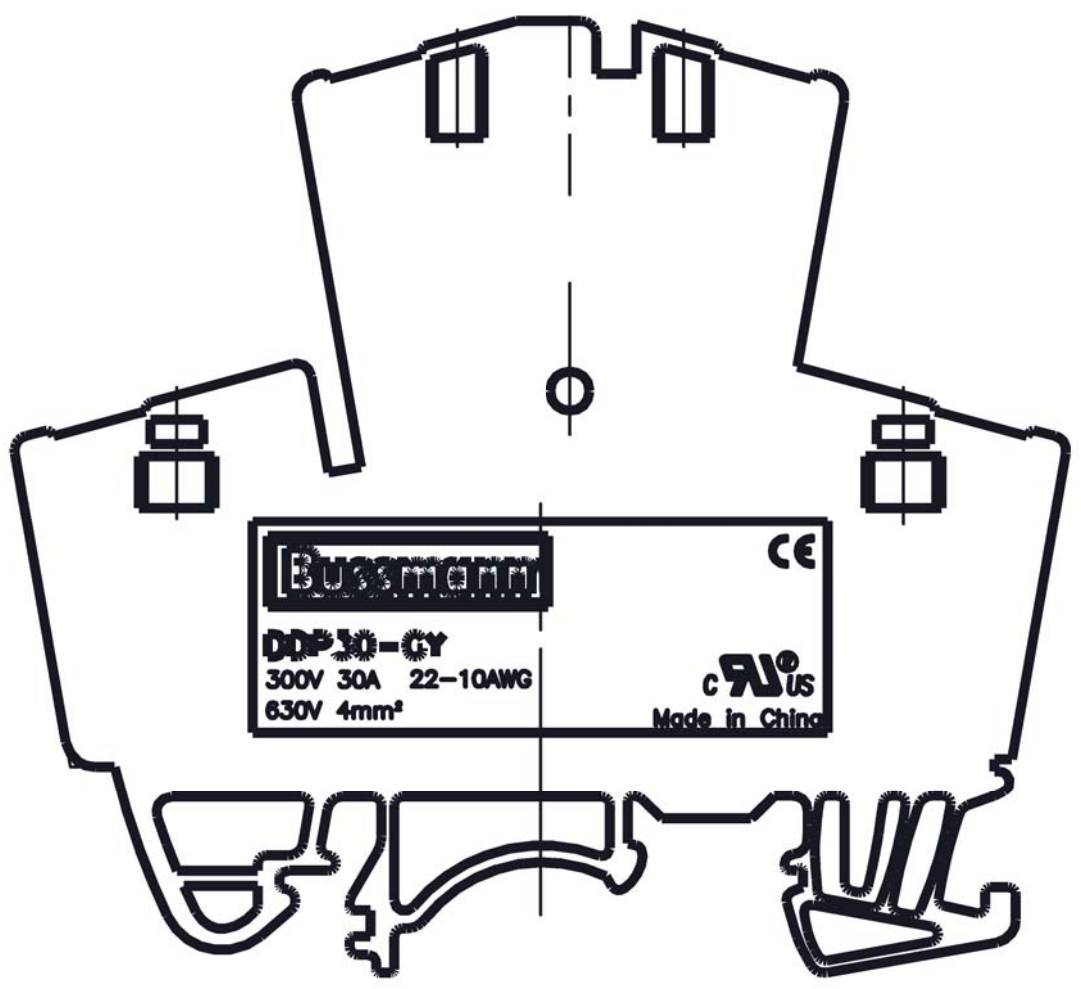


| ITEM NO. | NAME | MATERIAL | NOTES |
|----------|----------------|--------------|----------------|
| 1 | HOUSING | PA66 | UL94-V0 |
| 2 | SCREW | STEEL | M2.5/ZN PLATED |
| 3 | WIRE CONNECTOR | STEEL | M2.5/ZN PLATED |
| 4 | CONDUCTOR | COPPER ALLOY | TIN PLATED |

| PART NO. | COLOR | PANTONE # |
|----------|-------|-------------|
| DDP30-GY | GREY | COOL GRAY2U |

| REVISIONS | | | | | |
|-----------|------|-----------------|------------|-----------|-----|
| REV | ZONE | DESCRIPTION | DATE | ECN | BY |
| A | - | INITIAL RELEASE | 09/24/2012 | BU-J12374 | TJN |



- NOTES:
- RATINGS: UL 300V/30A, IEC 630V/32A
INSULATION WITHSTAND VOLTAGE 2000VAC/1MINUTE
TEMPERATURE RANGE -40°C~105°C
 - SEE 2A2943 FOR DIN DIMENSION DETAILS
 - SCREW TORQUE 0.8N-M (6.9IN-LB)
 - WIRE RANGE UL 22~10AWG, IEC 0.5~4.0 mm²
 - ASSEMBLY MUST BE FREE OF OIL, GREASE AND OTHER FOREIGN MATERIALS.
 - ASSEMBLY MUST COMPLY WITH RoHS SPECIFICATION #1P2163.

| | | | | | |
|--|---------------|--|--|------------|--|
| MODEL SOURCE DATA | MODEL VERSION | GENERAL DRAWING PRACTICES IN ACCORDANCE WITH ASME - Y14.100-2004 DIMENSIONS AND TOLERANCES IN ACCORDANCE WITH ASME - Y14.5M-1994 | APPROVALS | DATE | <p>COOPER Bussmann St. Louis, MO 63178 (USA)</p> |
| THIS DRAWING IS AN UNCONTROLLED COPY IF PRINTED OR SENT ELECTRONICALLY. DO NOT SCALE DRAWING | | | TJN | 09/26/2012 | |
| CONFIDENTIAL. THE INFORMATION CONTAINED IN THIS DOCUMENT IS THE PROPERTY OF COOPER INDUSTRIES, INC. IT IS NOT FOR PUBLIC DISCLOSURE. POSSESSION OF THE INFORMATION DOES NOT CONVEY ANY RIGHT TO LOAN, SELL, OR DISCLOSE THE INFORMATION. UNAUTHORIZED REPRODUCTION OR USE OF THE INFORMATION IS PROHIBITED. THIS DOCUMENT IS TO BE RETURNED TO COOPER INDUSTRIES, INC. UPON COMPLETION OF THE PURPOSE FOR WHICH IT WAS LOANED OR UPON REQUEST. | | | UNLESS OTHERWISE SPECIFIED DIMENSIONS ARE IN MILLIMETERS TOLERANCES TO BE ONE PLACE X.X = ±0.3 mm TWO PLACE X.X X = ±0.13 mm ALL ANGLES X X = ±1° | | TITLE |
| COPYRIGHT, COOPER INDUSTRIES, INC. THIS IS AN UNPUBLISHED WORK. THE DISCLOSURE OF THIS WORK IS LIMITED TO SELECT PERSONNEL. FURTHER DISSEMINATION OR DISCLOSURE TO THE PUBLIC IS PROHIBITED. THIS UNPUBLISHED WORK IS PROTECTED BY FEDERAL COPYRIGHT LAW AND ALL RIGHTS THEREUNDER ARE RESERVED BY COOPER INDUSTRIES, INC. | | | SPECIAL CHARACTERISTIC $\diamond (0)$ SIGNIFICANT CHARACTERISTIC $\triangle (0)$ | | DDP30-XX |
| THIRD ANGLE PROJECTION | | | SEE TABLE | | REV |
| | | | SEE TABLE | | A |
| | | | SCALE: 2:1 | | SHEET 1 OF 1 |