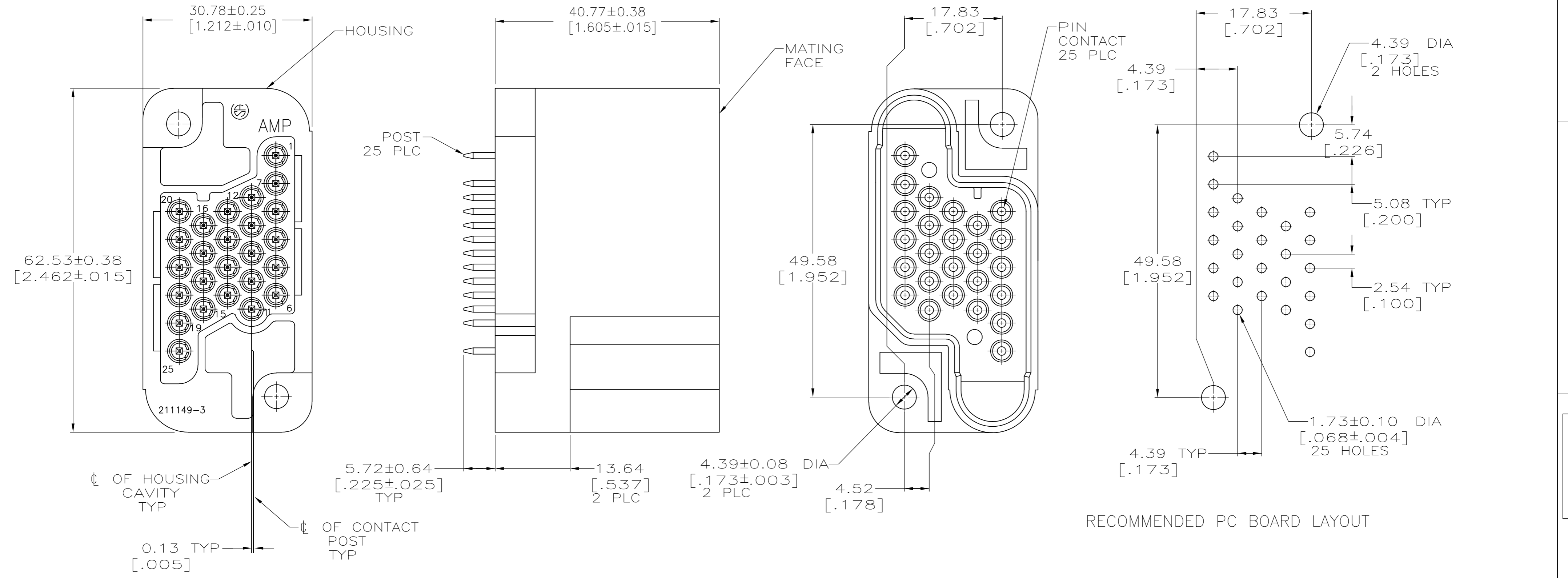


THIS DRAWING IS UNPUBLISHED. RELEASED FOR PUBLICATION  
 © COPYRIGHT BY TYCO ELECTRONICS CORPORATION. ALL RIGHTS RESERVED.

| LOC | DIST | REVISIONS |     |                           |         |     |      |
|-----|------|-----------|-----|---------------------------|---------|-----|------|
| FT  | 0    | P         | LTR | DESCRIPTION               | DATE    | DWN | APVD |
|     |      | B         |     | REVISED PER 0G3B-0230-05  | 4/27/05 | SS  | GS   |
|     |      | B1        |     | REVISED PER ECO-09-021826 | 07JAN10 | KK  | AEG  |



- ① 24 POSITIONS LOADED WITH POSTED PIN CONTACT. POSITION 17 LOADED WITH GROUND CONTACT.
- ② POSITIONS 1,2,4,5,7-10,12,14,20 AND 25 LOADED WITH POSTED PIN CONTACT. POSITIONS 3,6,11,13,15-19 AND 21-24 LOADED WITH GROUND CONTACT.
- ③ 0.76um[.000030] MIN GOLD FOR A LENGTH OF 5.08[.200] MIN FROM MATING END, GOLD FLASH ON THE REMAINDER, BOTH OVER 1.27um [.000050] MIN NICKEL ON PIN END. POST END 2.54um[.000100] MIN TIN-LEAD OVER 2.54um[.000100] MIN COPPER.
- 4. CONTACT ASSEMBLY SHOULD BE FULLY SEATED IN HOUSING PRIOR TO SOLDERING TO PRINTED CIRCUIT BOARD.
- ⑤ 0.76um[.000030] MIN GOLD FOR A LENGTH OF 5.08[.200] MIN FROM MATING END, GOLD FLASH ON THE REMAINDER, BOTH OVER 1.27um [.000050] MIN NICKEL ON PIN END. POST END 2.54um[.000100] MIN TIN OVER 2.54um[.000100] MIN COPPER.
- ⑥ OBSOLETE PARTS: OBSOLETE CIS STREAMLINING PER D.RENAUD/D.SINISI

RECOMMENDED PC BOARD LAYOUT

| FINISH | LOADING | PART NUMBER |
|--------|---------|-------------|
| ⑤      | ②       | 213756-4    |
| ⑤      | ①       | 213756-3    |
| ③      | ②       | 213756-2    |
| ③      | ①       | 213756-1    |

THIS DRAWING IS A CONTROLLED DOCUMENT.

|                  |                               |          |
|------------------|-------------------------------|----------|
| DWN              | C.OBERMAN                     | 08/17/92 |
| CHK              | R.STONE                       | 8-18-92  |
| APVD             | -                             | -        |
| PRODUCT SPEC     | -                             | -        |
| APPLICATION SPEC | -                             | -        |
| WEIGHT           | -                             | -        |
| CUSTOMER DRAWING | SCALE 2:1 SHEET 1 OF 1 REV B1 |          |

**Tyco Electronics** Tyco Electronics Corporation  
Harrisburg, Pa 17105-3608

RECEPTACLE ASSEMBLY,  
25 POSITION, DRAWER  
CONNECTOR, METRIMATE

SIZE A2 CAGE CODE 00779 DRAWING NO. C=213756 RESTRICTED TO -