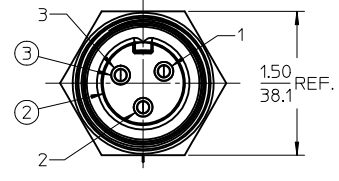
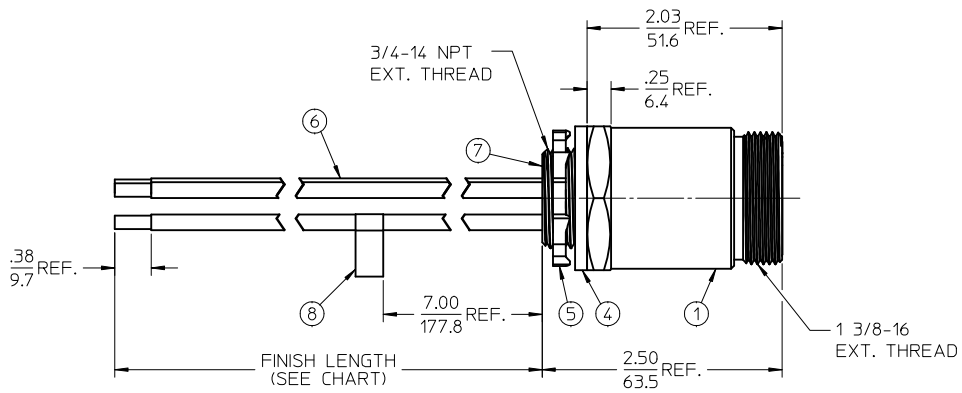
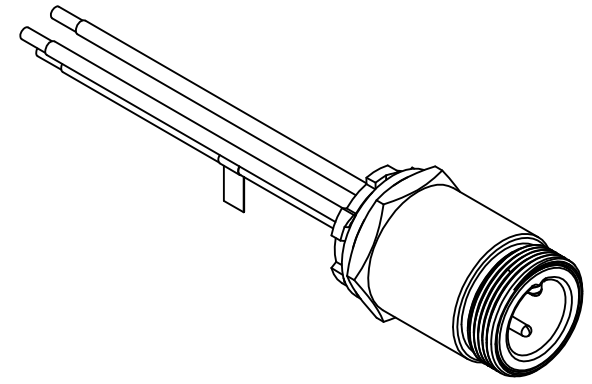
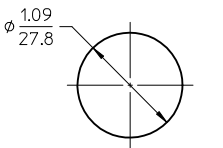


MATERIAL NUMBER	OLD PART NUMBER	FINISH LENGTH
1300660143	CR3C06A30M005	1.64' +1.75'/-0 [0.5M +44.5/-0]



1	BLACK
2	GREEN
3	WHITE

WIRING DIAGRAM



TYPICAL KNOCKOUT

NOTES:

1. MATERIAL: SEE TABLE
2. FINISHES: SEE TABLE
3. PACKAGING: PART IS PACKED IN POLY BAG.
4. FLAG LABEL LOCATED ON GREEN WIRE.
5. MATES WITH: QC 3 POLE FEMALE CABLE ASSEMBLY.
6. ELECTRICAL SPECIFICATIONS:
VOLTAGE RATING: 600V AC/DC
CURRENT RATING: 30 AMPS

8	1	FLAG LABEL	VINYL	YELLOW
7	A/R	POTTING	EPOXY	BLACK
6	3	#10-1 WIRE THHN	PVC JACKET	SEE WIRING DIAGRAM
5	1	LOCKNUT	STEEL	ZINC PLATED
4	1	GASKET	NEOPRENE	BLACK
3	3	PIN CONTACT	COPPER ALLOY	GOLD PLATED
2	1	MALE INSERT, 3 POLE	PVC	BLACK
1	1	RECEPTACLE SHELL	ALUMINUM	CLEAR ANODIZED
ITEM	QTY.	DESCRIPTION	MATERIAL	FINISH

INITIAL RELEASE	EC NO: MNA2010-0433	DRWN:CLYORK 2010/01/18	CHKD:WOODMAN 2010/01/18	APPR:DTITUS 2010/01/20
DESCRIPTION	QUALITY SYMBOLS	$\nabla=0$ $\nabla=0$		
REV	A			

GENERAL TOLERANCES (UNLESS SPECIFIED)	DIMENSION STYLE	SCALE	DESIGN UNITS	THIRD ANGLE PROJECTION
	IN/MM	1:1	INCH	
4 PLACES ± --- ± ---	mm	DRAWN BY DATE		
3 PLACES ± --- ± ---	INCH	CLYORK 2010/01/18		
2 PLACES ± --- ± .010		CHECKED BY DATE		
1 PLACE ± 0.3 ± ---		BWOODMAN 2010/01/18		
ANGULAR ± 1/2°		APPROVED BY DATE		
		DTITUS 2010/01/20		
DRAFT WHERE APPLICABLE MUST REMAIN WITHIN DIMENSIONS	SIZE	MATERIAL NO.	DOCUMENT NO.	SHEET NO.
	C	SEE CHART	SD-130066-053	1 OF 1

TITLE		BRAD POWER MALE, 3/4\"/>	
MATERIAL NO.		MOLEX INCORPORATED	
DOCUMENT NO.		SD-130066-053	
SHEET NO.		1 OF 1	
THIS DRAWING CONTAINS INFORMATION THAT IS PROPRIETARY TO MOLEX INCORPORATED AND SHOULD NOT BE USED WITHOUT WRITTEN PERMISSION			