

SPECIFICATIONS

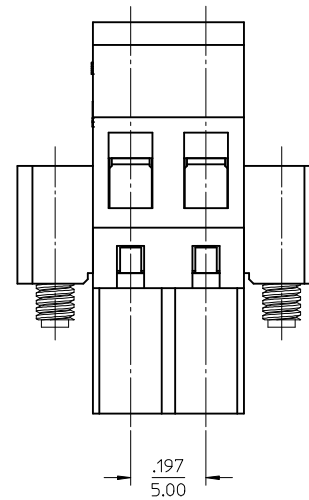
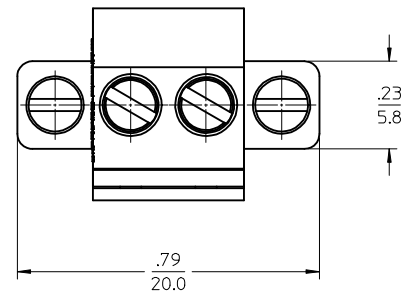
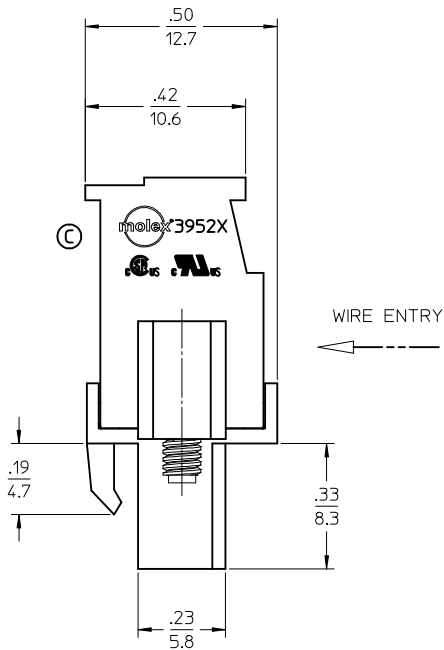
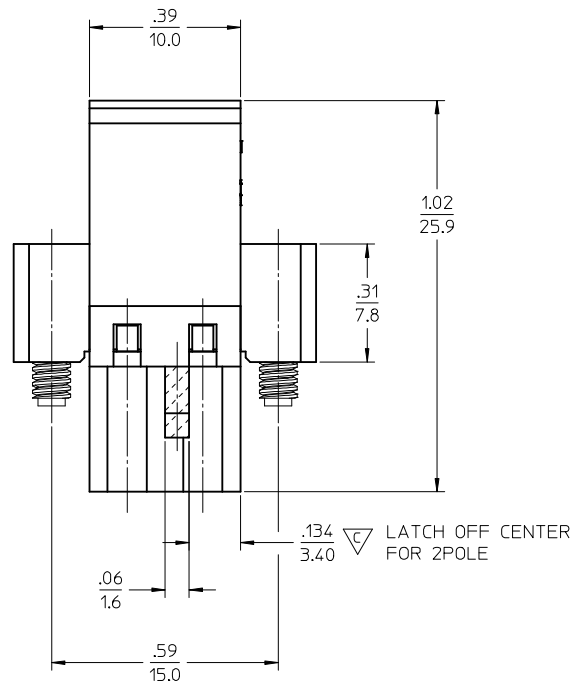
1. Material:
 - A. Body: PA66, UL94V-0
 - B. Clamp screw: M3-Steel, Zinc plated
 - C. Terminal: Copper alloy
 - D. Cage: Brass, Nickel plated
 - E. Cover: PA66, UL94V-0
 - F. Mtg. screw: M2.5-Steel, Zinc plated
2. Wire range: 12 - 26AWG
3. Electrical rating: 300V, 10A
4. Wire slip length: 5.0mm
5. Operating temperature: -40°C to +105°C
6. Max torque: 3 in-lbs.
7. Insulation resistance: DC 500V, 500 Megohms
8. Dielectric withstand: AC 2500V for 1 minute
9. Breakdown voltage: 4000V
10. Contact resistance: <10 milliohms
11. N = Number of positions available 2 - 24 (see sheet 3)
12. Dims. shown are for reference only

| TOLERANCES | | | |
|------------|-------|-----------|-------|
| MM | TOL | INCH | TOL |
| 0-6 | +0.25 | 0-.24 | ±.010 |
| >6-30 | +0.40 | .24-1.18 | ±.016 |
| >30-120 | +0.50 | 1.18-4.76 | ±.020 |
| >120 | +0.80 | >4.76 | ±.031 |

REF. THIS DRAWING SUPERSEDES ME10 DOC. SD-39527-002 REV-B
SEE SHEET 2 FOR 2 POLE PLUG ASSEMBLY

| REVISED DOC TOL EC NO: IPG2017-0881 DRAWN: CRAODREMS 2017/03/22 CHKD: APPR: BRUPERT 2017/04/18 | QUALITY SYMBOLS | GENERAL TOLERANCES (UNLESS SPECIFIED) | DIMENSION STYLE | SCALE | DESIGN UNITS | THIRD ANGLE PROJECTION | | | | | | | | | | | | | | | | | |
|------------------------------------------------------------------------------------------------------------|-----------------------------------------------------------------------------------------------------------------------------------------------------------------------------------------------------------------------------------------------------------------------------------------------------------------------------------------------------|---------------------------------------|-------------------------------------------------------------------------------------------------------------------------------------------------------------------------------------------------------------------------------------------------------------------------------------------------------------------------------------------------------------------------------------------------------------------|-----------|--------------|------------------------|------|----------|------------|-------------|----------|----------|------------|----------|------------------------------------------------------------|-------|---------|-------|-------|---------|-------|-------|-------|
| | ▼=0 ▽=1 | | <table border="1"> <thead> <tr> <th></th> <th>mm</th> <th>INCH</th> </tr> </thead> <tbody> <tr> <td>4 PLACES</td> <td>± ---</td> <td>± ---</td> </tr> <tr> <td>3 PLACES</td> <td>± ---</td> <td>± ---</td> </tr> <tr> <td>2 PLACES</td> <td>± ---</td> <td>± ---</td> </tr> <tr> <td>1 PLACE</td> <td>± ---</td> <td>± ---</td> </tr> <tr> <td>0 PLACE</td> <td>± ---</td> <td>± ---</td> </tr> </tbody> </table> | | mm | | INCH | 4 PLACES | ± --- | ± --- | 3 PLACES | ± --- | ± --- | 2 PLACES | ± --- | ± --- | 1 PLACE | ± --- | ± --- | 0 PLACE | ± --- | ± --- | IN/MM |
| | | mm | INCH | | | | | | | | | | | | | | | | | | | | |
| | 4 PLACES | ± --- | ± --- | | | | | | | | | | | | | | | | | | | | |
| 3 PLACES | ± --- | ± --- | | | | | | | | | | | | | | | | | | | | | |
| 2 PLACES | ± --- | ± --- | | | | | | | | | | | | | | | | | | | | | |
| 1 PLACE | ± --- | ± --- | | | | | | | | | | | | | | | | | | | | | |
| 0 PLACE | ± --- | ± --- | | | | | | | | | | | | | | | | | | | | | |
| DESCRIPTION | <table border="1"> <thead> <tr> <th>DRAWN BY</th> <th>DATE</th> </tr> </thead> <tbody> <tr> <td>RSTONE</td> <td>2014/07/22</td> </tr> <tr> <th>CHECKED BY</th> <th>DATE</th> </tr> <tr> <td>B ARDEN</td> <td>2014/07/25</td> </tr> <tr> <th>APPROVED BY</th> <th>DATE</th> </tr> <tr> <td>JFMURPHY</td> <td>2014/08/02</td> </tr> </tbody> </table> | DRAWN BY | DATE | RSTONE | 2014/07/22 | CHECKED BY | DATE | B ARDEN | 2014/07/25 | APPROVED BY | DATE | JFMURPHY | 2014/08/02 | TITLE | 5.0MM EURO PLUG ASSY VERTICAL RWE WITH MOUNTING ENDS | | | | | | | | |
| DRAWN BY | DATE | | | | | | | | | | | | | | | | | | | | | | |
| RSTONE | 2014/07/22 | | | | | | | | | | | | | | | | | | | | | | |
| CHECKED BY | DATE | | | | | | | | | | | | | | | | | | | | | | |
| B ARDEN | 2014/07/25 | | | | | | | | | | | | | | | | | | | | | | |
| APPROVED BY | DATE | | | | | | | | | | | | | | | | | | | | | | |
| JFMURPHY | 2014/08/02 | | | | | | | | | | | | | | | | | | | | | | |
| REV | ANGULAR ±---° DRAFT WHERE APPLICABLE MUST REMAIN WITHIN DIMENSIONS | MATERIAL NO. | DOCUMENT NO. | SHEET NO. | | | | | | | | | | | | | | | | | | | |

SEE SHEET 3
SD-39527-002
1 OF 3
THIS DRAWING CONTAINS INFORMATION THAT IS PROPRIETARY TO MOLEX INCORPORATED AND SHOULD NOT BE USED WITHOUT WRITTEN PERMISSION



2 POLE ASSEMBLY FOR STANDARD LATCH POSITION

SEE SHEET 1 FOR SPECIFICATIONS

| TOLERANCES | | | |
|------------|-------|-----------|-------|
| MM | TOL | INCH | TOL |
| 0-6 | ±0.25 | 0-.24 | ±.010 |
| >6-30 | ±0.40 | .24-1.18 | ±.016 |
| >30-120 | ±0.50 | 1.18-4.76 | ±.020 |
| >120 | ±0.80 | >4.76 | ±.031 |

REVISED DOC TOL
EC NO: IPG2017-0881
DRAWN:CRADOREMS 2017/03/22
CHKD:
APPR:BRUPERT 2017/04/18

QUALITY SYMBOLS
▽=0
▽=0

GENERAL TOLERANCES (UNLESS SPECIFIED)

| | mm | INCH |
|------------|-----|------|
| 4 PLACES ± | --- | --- |
| 3 PLACES ± | --- | --- |
| 2 PLACES ± | --- | --- |
| 1 PLACE ± | --- | --- |
| 0 PLACE ± | --- | --- |

ANGULAR ±---°
DRAFT WHERE APPLICABLE MUST REMAIN WITHIN DIMENSIONS

DIMENSION STYLE
IN/MM

DRAWN BY RSTONE DATE 2014/07/22
CHECKED BY B ARDEN DATE 2014/07/25
APPROVED BY JFMURPHY DATE 2014/08/02

MATERIAL NO.
SEE SHEET 3

SCALE 1:1
DESIGN UNITS METRIC
THIRD ANGLE PROJECTION

TITLE
**5.0MM EURO PLUG ASSY
VERTICAL RWE WITH
MOUNTING ENDS**

molex

DOCUMENT NO. SD-39527-002
SHEET NO. 2 OF 3

SIZE C THIS DRAWING CONTAINS INFORMATION THAT IS PROPRIETARY TO MOLEX INCORPORATED AND SHOULD NOT BE USED WITHOUT WRITTEN PERMISSION

| Description | Circuit size | Material Numbers | | | | | | | | | | | | Dimensional Information | | | | | | |
|-----------------------------------------------|--------------|------------------|-----------|-----------|------------------|-----------|-----------|------------------|-----------|-----------|------------------|-----------|-----------|-------------------------|------|-------|------|-------|------|--|
| | | Black | | | | | | Green | | | | | | Dim. A | | Dim B | | Dim C | | |
| | | 100% Tin | | | 30 u" Gold | | | 100% Tin | | | 30 u" Gold | | | mm | inch | mm | inch | mm | inch | |
| | | Printing Options | | | Printing Options | | | Printing Options | | | Printing Options | | | | | | | | | |
| None | 10AV | 11AV | None | 10AV | 11AV | None | 10AV | 11AV | None | 10AV | 11AV | None | 10AV | 11AV | | | | | | |
| 5.0mm, Euro Plug, Vertical FWE, Mounting Ends | 2 | 395272002 | 395272302 | 395272402 | 395272502 | 395272802 | 395272902 | 395277002 | 395277302 | 395277402 | 395277502 | 395277802 | 395277902 | 20.0 | 0.79 | 5.0 | 0.20 | 15.0 | 0.59 | |
| 5.0mm, Euro Plug, Vertical FWE, Mounting Ends | 3 | 395272003 | 395272303 | 395272403 | 395272503 | 395272803 | 395272903 | 395277003 | 395277303 | 395277403 | 395277503 | 395277803 | 395277903 | 25.0 | 0.98 | 10.0 | 0.39 | 20.0 | 0.79 | |
| 5.0mm, Euro Plug, Vertical FWE, Mounting Ends | 4 | 395272004 | 395272304 | 395272404 | 395272504 | 395272804 | 395272904 | 395277004 | 395277304 | 395277404 | 395277504 | 395277804 | 395277904 | 30.0 | 1.18 | 15.0 | 0.59 | 25.0 | 0.98 | |
| 5.0mm, Euro Plug, Vertical FWE, Mounting Ends | 5 | 395272005 | 395272305 | 395272405 | 395272505 | 395272805 | 395272905 | 395277005 | 395277305 | 395277405 | 395277505 | 395277805 | 395277905 | 35.0 | 1.36 | 20.0 | 0.79 | 30.0 | 1.18 | |
| 5.0mm, Euro Plug, Vertical FWE, Mounting Ends | 6 | 395272006 | 395272306 | 395272406 | 395272506 | 395272806 | 395272906 | 395277006 | 395277306 | 395277406 | 395277506 | 395277806 | 395277906 | 40.0 | 1.58 | 25.0 | 0.98 | 35.0 | 1.38 | |
| 5.0mm, Euro Plug, Vertical FWE, Mounting Ends | 7 | 395272007 | 395272307 | 395272407 | 395272507 | 395272807 | 395272907 | 395277007 | 395277307 | 395277407 | 395277507 | 395277807 | 395277907 | 45.0 | 1.77 | 30.0 | 1.18 | 40.0 | 1.58 | |
| 5.0mm, Euro Plug, Vertical FWE, Mounting Ends | 8 | 395272008 | 395272308 | 395272408 | 395272508 | 395272808 | 395272908 | 395277008 | 395277308 | 395277408 | 395277508 | 395277808 | 395277908 | 50.0 | 1.97 | 35.0 | 1.38 | 45.0 | 1.77 | |
| 5.0mm, Euro Plug, Vertical FWE, Mounting Ends | 9 | 395272009 | 395272309 | 395272409 | 395272509 | 395272809 | 395272909 | 395277009 | 395277309 | 395277409 | 395277509 | 395277809 | 395277909 | 55.0 | 2.17 | 40.0 | 1.58 | 50.0 | 1.97 | |
| 5.0mm, Euro Plug, Vertical FWE, Mounting Ends | 10 | 395272010 | 395272310 | 395272410 | 395272510 | 395272810 | 395272910 | 395277010 | 395277310 | 395277410 | 395277510 | 395277810 | 395277910 | 60.0 | 2.36 | 45.0 | 1.77 | 55.0 | 2.17 | |
| 5.0mm, Euro Plug, Vertical FWE, Mounting Ends | 11 | 395272011 | 395272311 | 395272411 | 395272511 | 395272811 | 395272911 | 395277011 | 395277311 | 395277411 | 395277511 | 395277811 | 395277911 | 65.0 | 2.56 | 50.0 | 1.97 | 60.0 | 2.36 | |
| 5.0mm, Euro Plug, Vertical FWE, Mounting Ends | 12 | 395272012 | 395272312 | 395272412 | 395272512 | 395272812 | 395272912 | 395277012 | 395277312 | 395277412 | 395277512 | 395277812 | 395277912 | 70.0 | 2.76 | 55.0 | 2.17 | 65.0 | 2.56 | |
| 5.0mm, Euro Plug, Vertical FWE, Mounting Ends | 13 | 395272013 | 395272313 | 395272413 | 395272513 | 395272813 | 395272913 | 395277013 | 395277313 | 395277413 | 395277513 | 395277813 | 395277913 | 75.0 | 2.95 | 60.0 | 2.36 | 70.0 | 2.76 | |
| 5.0mm, Euro Plug, Vertical FWE, Mounting Ends | 14 | 395272014 | 395272314 | 395272414 | 395272514 | 395272814 | 395272914 | 395277014 | 395277314 | 395277414 | 395277514 | 395277814 | 395277914 | 80.0 | 3.15 | 65.0 | 2.56 | 75.0 | 2.95 | |
| 5.0mm, Euro Plug, Vertical FWE, Mounting Ends | 15 | 395272015 | 395272315 | 395272415 | 395272515 | 395272815 | 395272915 | 395277015 | 395277315 | 395277415 | 395277515 | 395277815 | 395277915 | 85.0 | 3.35 | 70.0 | 2.76 | 80.0 | 3.15 | |
| 5.0mm, Euro Plug, Vertical FWE, Mounting Ends | 16 | 395272016 | 395272316 | 395272416 | 395272516 | 395272816 | 395272916 | 395277016 | 395277316 | 395277416 | 395277516 | 395277816 | 395277916 | 90.0 | 3.54 | 75.0 | 2.95 | 85.0 | 3.35 | |
| 5.0mm, Euro Plug, Vertical FWE, Mounting Ends | 17 | 395272017 | 395272317 | 395272417 | 395272517 | 395272817 | 395272917 | 395277017 | 395277317 | 395277417 | 395277517 | 395277817 | 395277917 | 95.0 | 3.74 | 80.0 | 3.15 | 90.0 | 3.54 | |
| 5.0mm, Euro Plug, Vertical FWE, Mounting Ends | 18 | 395272018 | 395272318 | 395272418 | 395272518 | 395272818 | 395272918 | 395277018 | 395277318 | 395277418 | 395277518 | 395277818 | 395277918 | 100.0 | 3.94 | 85.0 | 3.35 | 95.0 | 3.74 | |
| 5.0mm, Euro Plug, Vertical FWE, Mounting Ends | 19 | 395272019 | 395272319 | 395272419 | 395272519 | 395272819 | 395272919 | 395277019 | 395277319 | 395277419 | 395277519 | 395277819 | 395277919 | 105.0 | 4.13 | 90.0 | 3.54 | 100.0 | 3.94 | |
| 5.0mm, Euro Plug, Vertical FWE, Mounting Ends | 20 | 395272020 | 395272320 | 395272420 | 395272520 | 395272820 | 395272920 | 395277020 | 395277320 | 395277420 | 395277520 | 395277820 | 395277920 | 110.0 | 4.33 | 95.0 | 3.74 | 105.0 | 4.13 | |
| 5.0mm, Euro Plug, Vertical FWE, Mounting Ends | 21 | 395272021 | 395272321 | 395272421 | 395272521 | 395272821 | 395272921 | 395277021 | 395277321 | 395277421 | 395277521 | 395277821 | 395277921 | 115.0 | 4.53 | 100.0 | 3.94 | 110.0 | 4.33 | |
| 5.0mm, Euro Plug, Vertical FWE, Mounting Ends | 22 | 395272022 | 395272322 | 395272422 | 395272522 | 395272822 | 395272922 | 395277022 | 395277322 | 395277422 | 395277522 | 395277822 | 395277922 | 120.0 | 4.72 | 105.0 | 4.13 | 115.0 | 4.53 | |
| 5.0mm, Euro Plug, Vertical FWE, Mounting Ends | 23 | 395272023 | 395272323 | 395272423 | 395272523 | 395272823 | 395272923 | 395277023 | 395277323 | 395277423 | 395277523 | 395277823 | 395277923 | 125.0 | 4.92 | 110.0 | 4.33 | 120.0 | 4.72 | |
| 5.0mm, Euro Plug, Vertical FWE, Mounting Ends | 24 | 395272024 | 395272324 | 395272424 | 395272524 | 395272824 | 395272924 | 395277024 | 395277324 | 395277424 | 395277524 | 395277824 | 395277924 | 130.0 | 5.12 | 115.0 | 4.53 | 125.0 | 4.92 | |

| TOLERANCES | | | |
|------------|-------|-----------|-------|
| MM | TOL | INCH | TOL |
| 0-6 | +0.25 | 0-.24 | +0.10 |
| >6-30 | +0.40 | .24-1.18 | +0.16 |
| >30-120 | +0.50 | 1.18-4.76 | +0.20 |
| >120 | +0.80 | >4.76 | +0.31 |

REVISED DOC TOL EC NO: IFC2017-0881 DRAWN: CRADDOREMS 2017/03/22 CHKD: APPR: BRUPERT 2017/04/18

QUALITY SYMBOLS: $\nabla=0$, $\nabla=0$

GENERAL TOLERANCES (UNLESS SPECIFIED):

| | mm | INCH |
|----------|-------|-------|
| 4 PLACES | ± --- | ± --- |
| 3 PLACES | ± --- | ± --- |
| 2 PLACES | ± --- | ± --- |
| 1 PLACE | ± --- | ± --- |
| 0 PLACE | ± --- | ± --- |

ANGULAR ±---°

DRAFT WHERE APPLICABLE MUST REMAIN WITHIN DIMENSIONS

DIMENSION STYLE: IN/MM

SCALE: 1:1

DESIGN UNITS: METRIC

THIRD ANGLE PROJECTION

DRAWN BY: RSTONE DATE: 2014/07/22

CHECKED BY: B ARDEN DATE: 2014/07/25

APPROVED BY: JFMURPHY DATE: 2014/08/02

TITLE: 5.0MM EURO PLUG ASSY VERTICAL RWE WITH MOUNTING ENDS

molex

MATERIAL NO. SEE CHART DOCUMENT NO. SD-39527-002 SHEET NO. 3 OF 3

THIS DRAWING CONTAINS INFORMATION THAT IS PROPRIETARY TO MOLEX INCORPORATED AND SHOULD NOT BE USED WITHOUT WRITTEN PERMISSION

| Description | Circuit size | Material Numbers | | | | | | | | | | Dimensional Information | | | | | | |
|-----------------------------------------------|--------------|------------------|-----------|------------------|-----------|-----------|------------------|-----------|------------------|-----------|-----------|-------------------------|-------|-------|-------|-------|-------|------|
| | | Black | | | | | Green | | | | | Dim A | | Dim B | | Dim C | | |
| | | 100% Tin | | 30 u" Gold | | | 100% Tin | | 30 u" Gold | | | mm | inch | mm | inch | mm | inch | |
| | | Printing Options | | Printing Options | | | Printing Options | | Printing Options | | | | | | | | | |
| | | None | 11AV | None | 10AV | 11AV | None | 10AV | 11AV | None | 10AV | 11AV | mm | inch | mm | inch | mm | inch |
| 5.0mm. Euro Plug, Vertical FWE, Mounting Ends | 2 | 395272002 | 395272302 | 395272402 | 395272502 | 395272602 | 395272702 | 395272802 | 395272902 | 395273002 | 395273102 | 395273202 | 20.0 | 0.79 | 5.0 | 0.20 | 15.0 | 0.59 |
| 5.0mm. Euro Plug, Vertical FWE, Mounting Ends | 3 | 395272003 | 395272303 | 395272403 | 395272503 | 395272603 | 395272703 | 395272803 | 395272903 | 395273003 | 395273103 | 395273203 | 25.0 | 0.98 | 10.0 | 0.39 | 20.0 | 0.79 |
| 5.0mm. Euro Plug, Vertical FWE, Mounting Ends | 4 | 395272004 | 395272304 | 395272404 | 395272504 | 395272604 | 395272704 | 395272804 | 395272904 | 395273004 | 395273104 | 395273204 | 30.0 | 1.18 | 15.0 | 0.59 | 25.0 | 0.98 |
| 5.0mm. Euro Plug, Vertical FWE, Mounting Ends | 5 | 395272005 | 395272305 | 395272405 | 395272505 | 395272605 | 395272705 | 395272805 | 395272905 | 395273005 | 395273105 | 395273205 | 35.0 | 1.38 | 20.0 | 0.79 | 30.0 | 1.18 |
| 5.0mm. Euro Plug, Vertical FWE, Mounting Ends | 6 | 395272006 | 395272306 | 395272406 | 395272506 | 395272606 | 395272706 | 395272806 | 395272906 | 395273006 | 395273106 | 395273206 | 40.0 | 1.58 | 25.0 | 0.98 | 35.0 | 1.38 |
| 5.0mm. Euro Plug, Vertical FWE, Mounting Ends | 7 | 395272007 | 395272307 | 395272407 | 395272507 | 395272607 | 395272707 | 395272807 | 395272907 | 395273007 | 395273107 | 395273207 | 45.0 | 1.77 | 30.0 | 1.18 | 40.0 | 1.58 |
| 5.0mm. Euro Plug, Vertical FWE, Mounting Ends | 8 | 395272008 | 395272308 | 395272408 | 395272508 | 395272608 | 395272708 | 395272808 | 395272908 | 395273008 | 395273108 | 395273208 | 50.0 | 1.97 | 35.0 | 1.39 | 45.0 | 1.77 |
| 5.0mm. Euro Plug, Vertical FWE, Mounting Ends | 9 | 395272009 | 395272309 | 395272409 | 395272509 | 395272609 | 395272709 | 395272809 | 395272909 | 395273009 | 395273109 | 395273209 | 55.0 | 2.17 | 40.0 | 1.58 | 50.0 | 1.97 |
| 5.0mm. Euro Plug, Vertical FWE, Mounting Ends | 10 | 395272010 | 395272310 | 395272410 | 395272510 | 395272610 | 395272710 | 395272810 | 395272910 | 395273010 | 395273110 | 395273210 | 60.0 | 2.36 | 45.0 | 1.77 | 55.0 | 2.17 |
| 5.0mm. Euro Plug, Vertical FWE, Mounting Ends | 11 | 395272011 | 395272311 | 395272411 | 395272511 | 395272611 | 395272711 | 395272811 | 395272911 | 395273011 | 395273111 | 395273211 | 65.0 | 2.56 | 50.0 | 1.97 | 60.0 | 2.36 |
| 5.0mm. Euro Plug, Vertical FWE, Mounting Ends | 12 | 395272012 | 395272312 | 395272412 | 395272512 | 395272612 | 395272712 | 395272812 | 395272912 | 395273012 | 395273112 | 395273212 | 70.0 | 2.76 | 55.0 | 2.17 | 65.0 | 2.56 |
| 5.0mm. Euro Plug, Vertical FWE, Mounting Ends | 13 | 395272013 | 395272313 | 395272413 | 395272513 | 395272613 | 395272713 | 395272813 | 395272913 | 395273013 | 395273113 | 395273213 | 75.0 | 2.95 | 60.0 | 2.36 | 70.0 | 2.76 |
| 5.0mm. Euro Plug, Vertical FWE, Mounting Ends | 14 | 395272014 | 395272314 | 395272414 | 395272514 | 395272614 | 395272714 | 395272814 | 395272914 | 395273014 | 395273114 | 395273214 | 80.0 | 3.15 | 65.0 | 2.56 | 75.0 | 2.95 |
| 5.0mm. Euro Plug, Vertical FWE, Mounting Ends | 15 | 395272015 | 395272315 | 395272415 | 395272515 | 395272615 | 395272715 | 395272815 | 395272915 | 395273015 | 395273115 | 395273215 | 85.0 | 3.35 | 70.0 | 2.76 | 80.0 | 3.15 |
| 5.0mm. Euro Plug, Vertical FWE, Mounting Ends | 16 | 395272016 | 395272316 | 395272416 | 395272516 | 395272616 | 395272716 | 395272816 | 395272916 | 395273016 | 395273116 | 395273216 | 90.0 | 3.54 | 75.0 | 2.95 | 85.0 | 3.35 |
| 5.0mm. Euro Plug, Vertical FWE, Mounting Ends | 17 | 395272017 | 395272317 | 395272417 | 395272517 | 395272617 | 395272717 | 395272817 | 395272917 | 395273017 | 395273117 | 395273217 | 95.0 | 3.74 | 80.0 | 3.15 | 90.0 | 3.54 |
| 5.0mm. Euro Plug, Vertical FWE, Mounting Ends | 18 | 395272018 | 395272318 | 395272418 | 395272518 | 395272618 | 395272718 | 395272818 | 395272918 | 395273018 | 395273118 | 395273218 | 100.0 | 3.94 | 85.0 | 3.35 | 95.0 | 3.74 |
| 5.0mm. Euro Plug, Vertical FWE, Mounting Ends | 19 | 395272019 | 395272319 | 395272419 | 395272519 | 395272619 | 395272719 | 395272819 | 395272919 | 395273019 | 395273119 | 395273219 | 105.0 | 4.13 | 90.0 | 3.54 | 100.0 | 3.94 |
| 5.0mm. Euro Plug, Vertical FWE, Mounting Ends | 20 | 395272020 | 395272320 | 395272420 | 395272520 | 395272620 | 395272720 | 395272820 | 395272920 | 395273020 | 395273120 | 395273220 | 110.0 | 4.33 | 95.0 | 3.74 | 105.0 | 4.13 |
| 5.0mm. Euro Plug, Vertical FWE, Mounting Ends | 21 | 395272021 | 395272321 | 395272421 | 395272521 | 395272621 | 395272721 | 395272821 | 395272921 | 395273021 | 395273121 | 395273221 | 115.0 | 4.53 | 100.0 | 3.94 | 110.0 | 4.33 |
| 5.0mm. Euro Plug, Vertical FWE, Mounting Ends | 22 | 395272022 | 395272322 | 395272422 | 395272522 | 395272622 | 395272722 | 395272822 | 395272922 | 395273022 | 395273122 | 395273222 | 120.0 | 4.72 | 105.0 | 4.13 | 115.0 | 4.53 |
| 5.0mm. Euro Plug, Vertical FWE, Mounting Ends | 23 | 395272023 | 395272323 | 395272423 | 395272523 | 395272623 | 395272723 | 395272823 | 395272923 | 395273023 | 395273123 | 395273223 | 125.0 | 4.92 | 110.0 | 4.33 | 120.0 | 4.72 |
| 5.0mm. Euro Plug, Vertical FWE, Mounting Ends | 24 | 395272024 | 395272324 | 395272424 | 395272524 | 395272624 | 395272724 | 395272824 | 395272924 | 395273024 | 395273124 | 395273224 | 130.0 | 5.12 | 115.0 | 4.53 | 125.0 | 4.92 |

| TOLERANCES | | | |
|------------|-------|-----------|-------|
| MM | TOL | INCH | TOL |
| 0-6 | ±0.25 | 0-.24 | ±.010 |
| >6-30 | ±0.40 | .24-1.18 | ±.016 |
| >30-120 | ±0.50 | 1.18-4.76 | ±.020 |
| >120 | ±0.80 | >4.76 | ±.031 |

REVISED DOC TOL
 EC NO: IPG2017-0861
 DRAWN: CRADDOREWS 2017/03/22
 CHKD:
 APPR: BRUPERT 2017/04/18

QUALITY SYMBOLS
 ▽=0
 ▽=0

GENERAL TOLERANCES (UNLESS SPECIFIED)

| | | |
|----------------|-------|--------|
| | mm | INCH |
| 4 PLACES | ±.005 | ±.0005 |
| 3 PLACES | ±.008 | ±.0008 |
| 2 PLACES | ±.012 | ±.0012 |
| 1 PLACE | ±.015 | ±.0015 |
| ANGULAR ±.005° | | |

DRAFT WHERE APPLICABLE
 MUST REMAIN WITHIN DIMENSIONS

DIMENSION STYLE
MM/IN

DRAWN BY DATE
 C. YORK 2006/03/16

CHECKED BY DATE
 R. DEROSS 2006/03/16

APPROVED BY DATE
 R. DEROSS 2006/03/16

MATERIAL NO.
SEE CHART

SIZE
B

SCALE
INCH

DESIGN UNITS
INCH

THIRD ANGLE PROJECTION

TITLE
5.0MM, EURO PLUG, VERTICAL, FRONT WIRE ENTRY WITH MOUNTING ENDS

molex MOLEX INCORPORATED

DOCUMENT NO.
SD-39527-002

SHEET NO.
2 OF 2

THIS DRAWING CONTAINS INFORMATION THAT IS PROPRIETARY TO MOLEX INCORPORATED AND SHOULD NOT BE USED WITHOUT WRITTEN PERMISSION