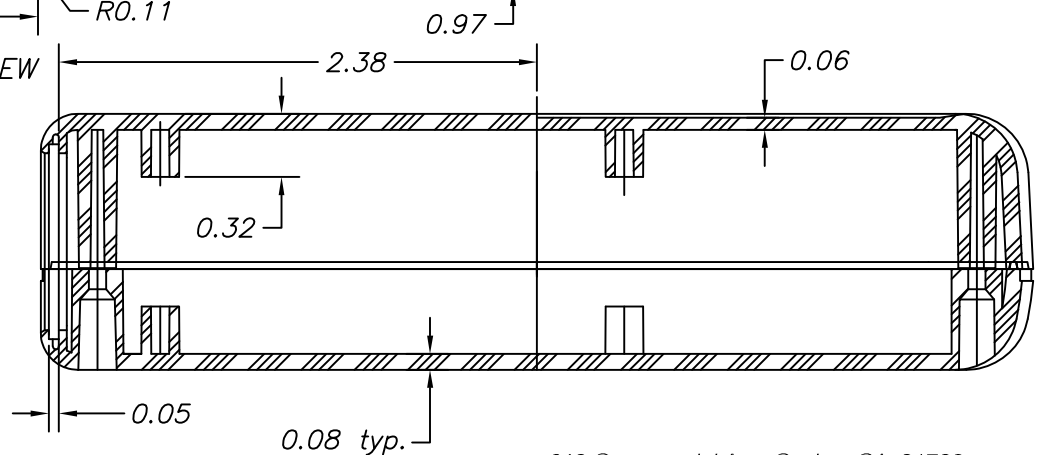
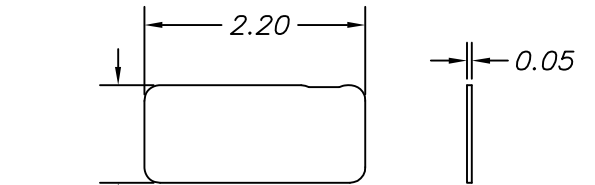
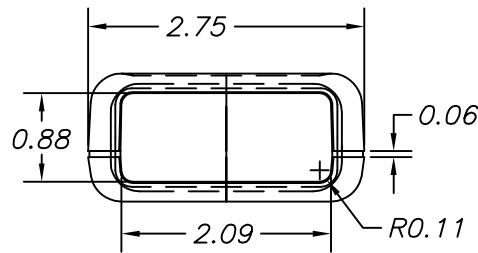
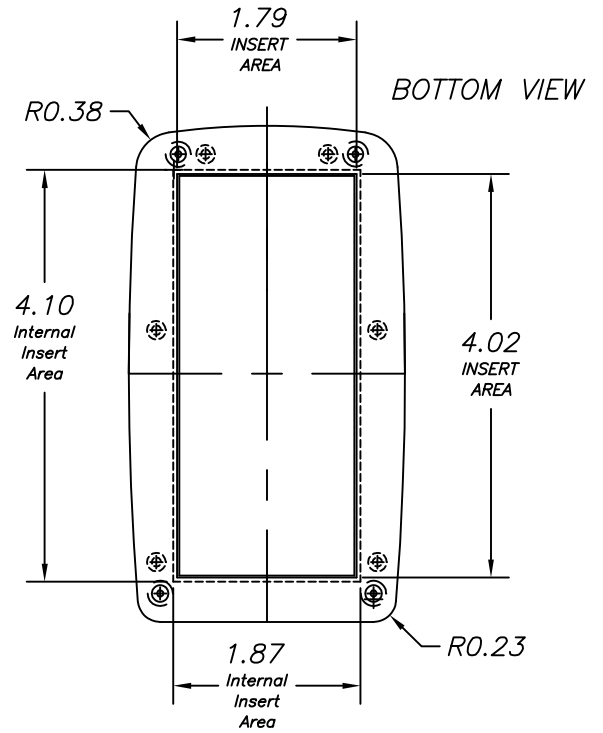
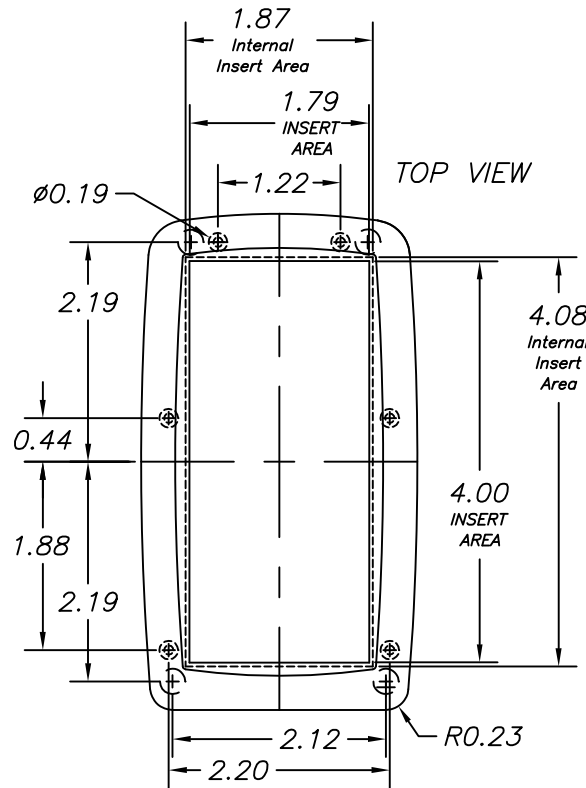
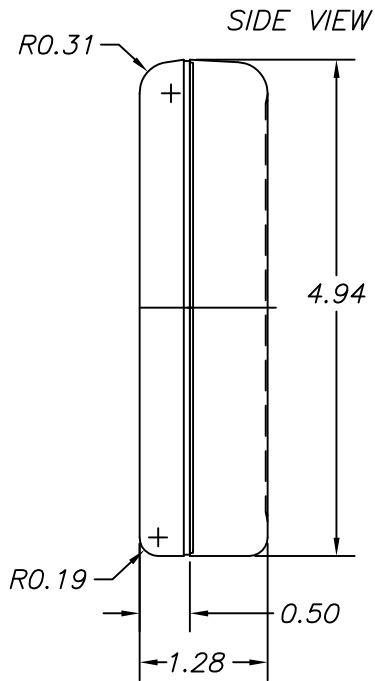
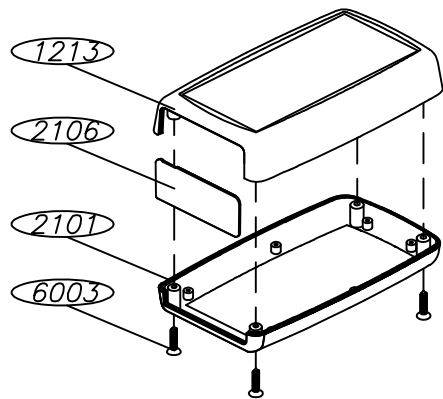


SERPAC H-67

Electronics Enclosures



NOTES:
1. WHEN MACHINE OR I PLATES MODIFICATIONS ARE REQUIRED,
USE THE CENTER OF THE BOX TO DIMENSION.



08/05/08

ALL DIMENSIONS ±0.10

PART NO.	DESCRIPTION	PART NO.	ACCESSORIES
1213	PLASTIC TOP	2106CL	CLEAR PANEL
2106	PLASTIC END PANEL	2106IR	INFRARED PANEL
2101	PLASTIC BOTTOM	2106R	TRANSPARENT RED PANEL
6003	SCREW (4)		