

© 1976 BY AMP INCORPORATED. ALL RIGHTS RESERVED. AMP PRODUCTS COVERED BY PATENTS AND/OR PATENTS PENDING.

THIS PRODUCT DESIGNED AND BUILT BY AMP INCORPORATED. NO LICENSE TO USE THAT DESIGN IN MANUFACTURE, OR TO USE ANY ISSUED OR PENDING PATENTS WHICH ARE INVOLVED, IS IMPLIED.

REVISIONS				
ZONE	LTR	DESCRIPTION	DATE	APPROVED
A		REV PER 01114-0120-04	CT 10-04	CT

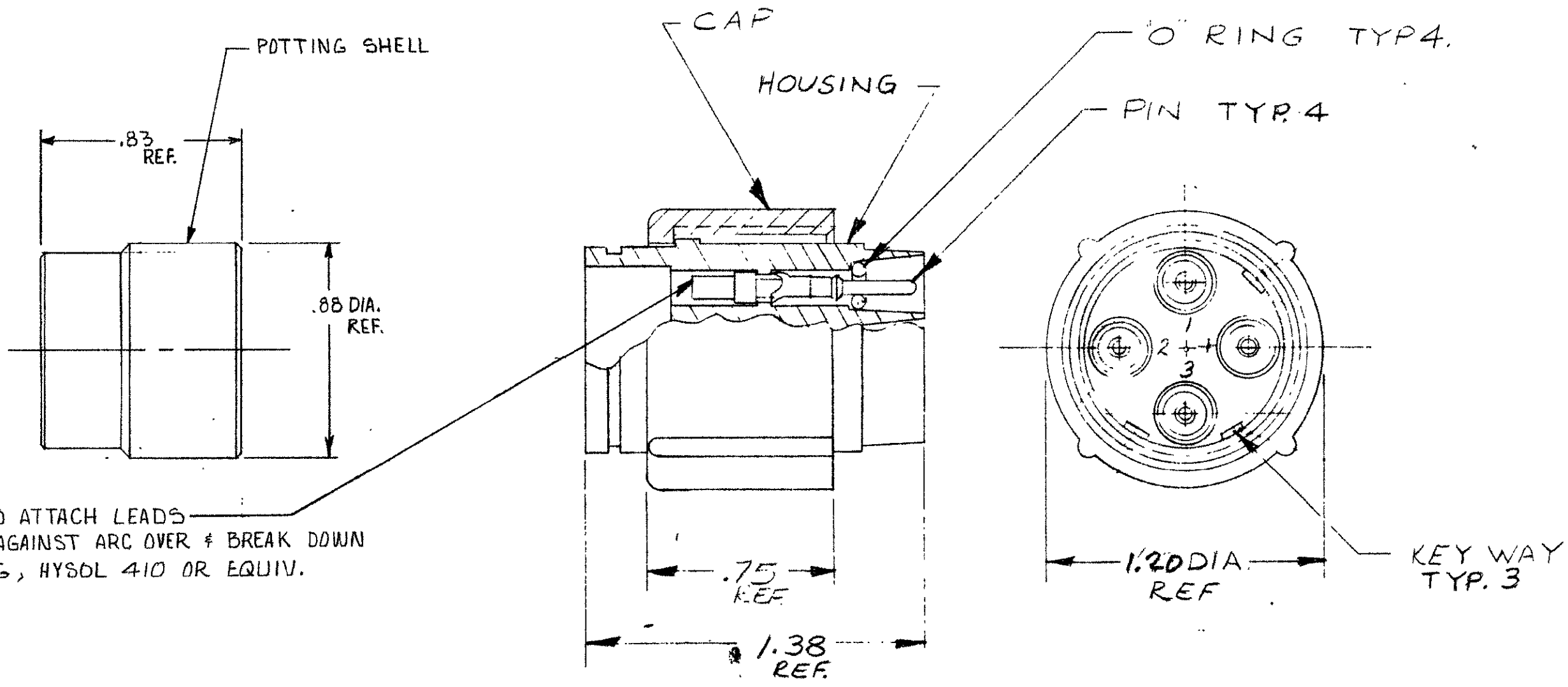
D NUMBER

C

B

A

PRINT DIST 37



CUSTOMER TO ATTACH LEADS & PROTECT AGAINST ARC OVER & BREAK DOWN BY POTTING, HYSOL 410 OR EQUIV.

- NOTE:
1. MARKING, WHITE.
 2. #16 GA. PINS. GOLD PLATED PER MIL-G-45204, TYPE II, .00005 THK. FIN.
 3. PLUG & PINS SHIPPED SEPARATELY.
 4. TYPE II PINS TO ACCEPT (1) 22 AWG (1) 20 AWG, OR (1) 24 AWG STRANDED WIRE.
 5. TYPE II PINS TO ACCEPT (1) 16 AWG, OR 18 AWG STRANDED WIRE.
 6. TO REMOVE PINS USE EXTRACTION TOOL NO. 860751-1.
 7. TYPE II PINS TO ACCEPT ONE (1) 14 AWG STRANDED WIRE.

AMP P/N	WIRE SIZE RANGE	HAND TOOL
863022-1	20,22,24	45099
863022-2	16,18	45098
863022-3	14	45098

QTY REQD	QTY REQD	ITEM NO.	DWG SIZE	PART OR IDENTIFYING NO.	NOMENCLATURE OR DESCRIPTION	SYMBOL
-2	-1				PARTS LIST	
UNLESS OTHERWISE SPECIFIED: DIMENSIONS ARE IN INCHES TOLERANCES .00 ± ANGLES = .000 ± J				CONTRACT NO. DR DICK STONE 3-1-76		<p>AMP INCORPORATED CAPITRON DIVISION ELIZABETHTOWN, PENNSYLVANIA</p> <p>NAME PLUG ASS'Y. 4 PIN.</p> <p>LGH:</p>
MATERIAL: MOLDED PLASTIC				CHK		
FINISH: BLACK.				APPD <i>W. Gardner</i> 3/3/76		
NEXT ASSY				DSGN APPD		SIZE C
FINAL ASSY				OTHER APPD		CODE IDENT NO. 00779
NEXT ASSY						NUMBER 863022
USED ON						SCALE NONE
APPLICATION						WT
						SHEET 10/11