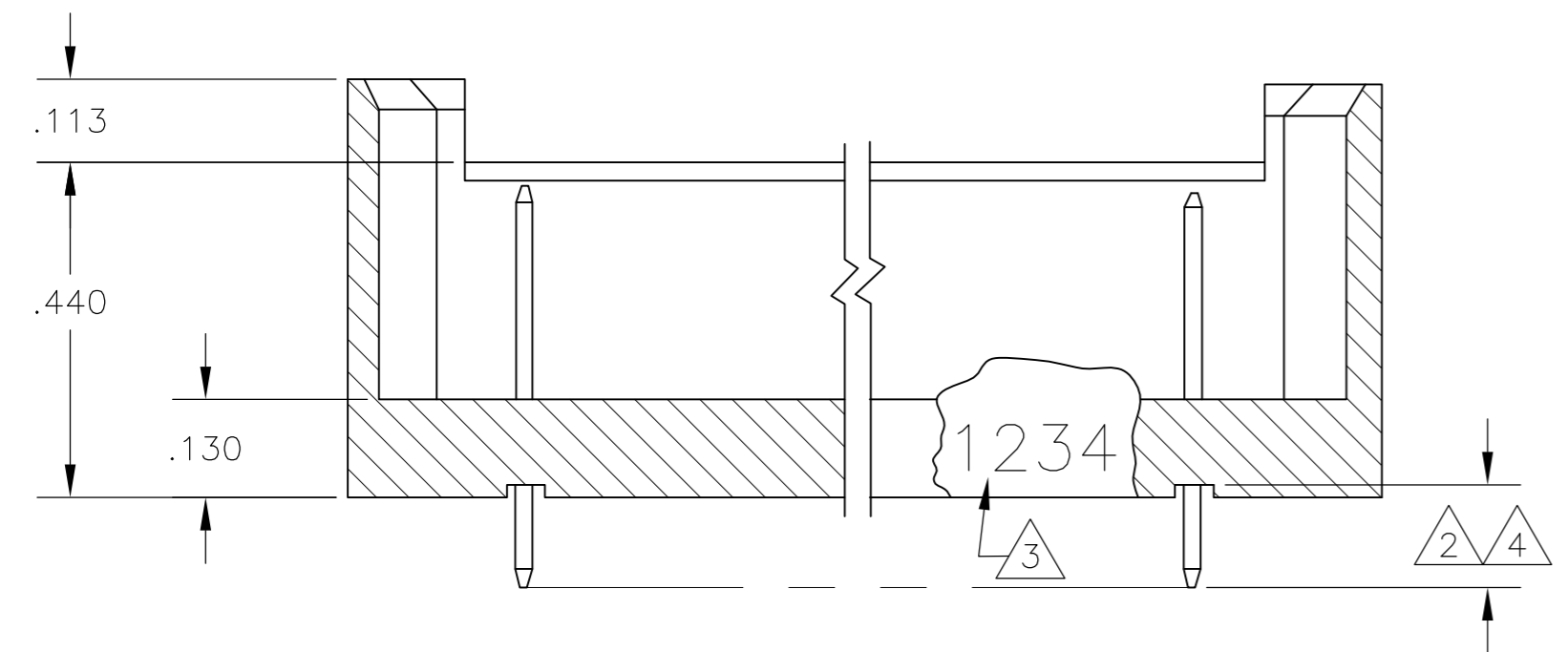
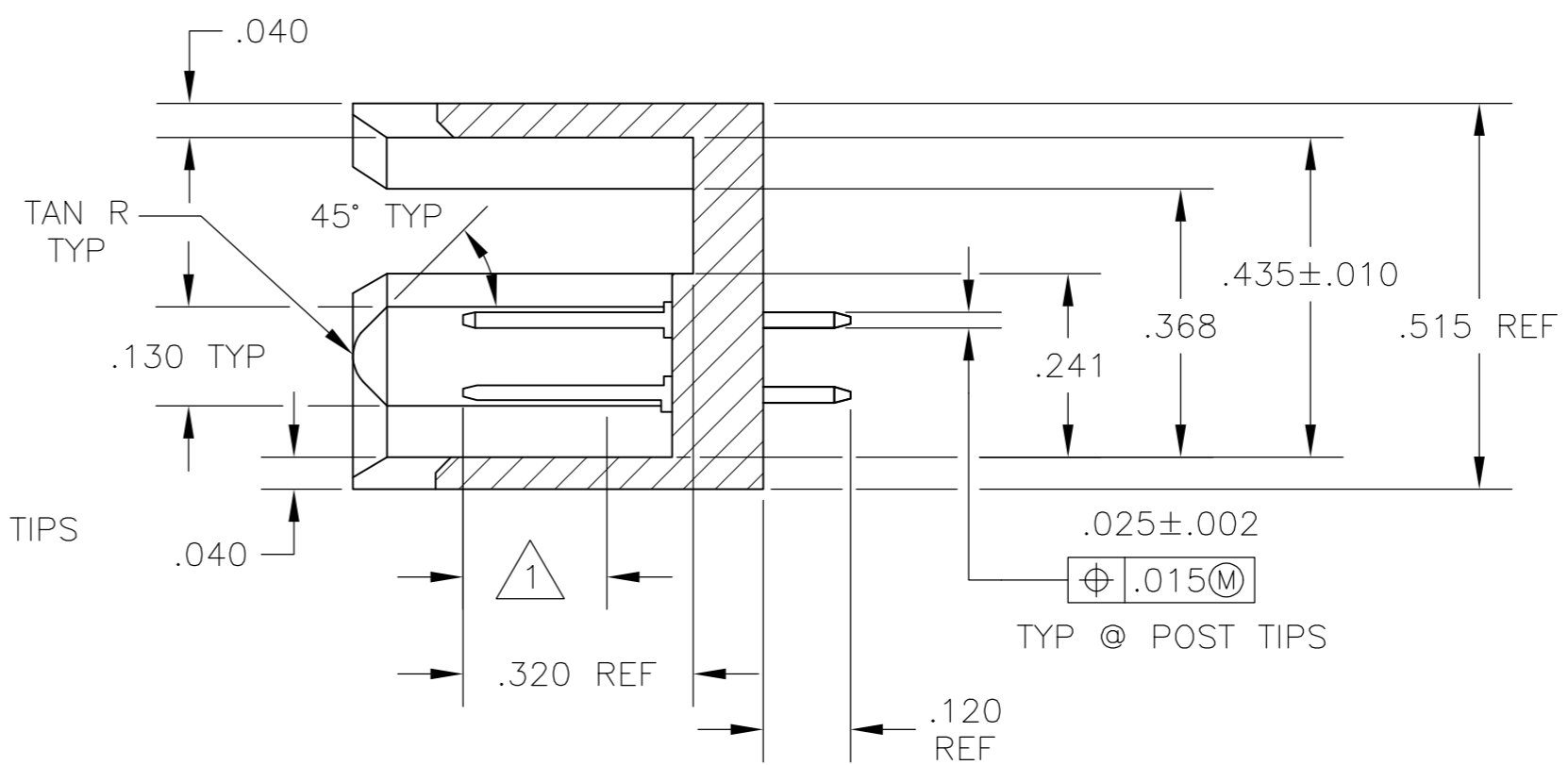
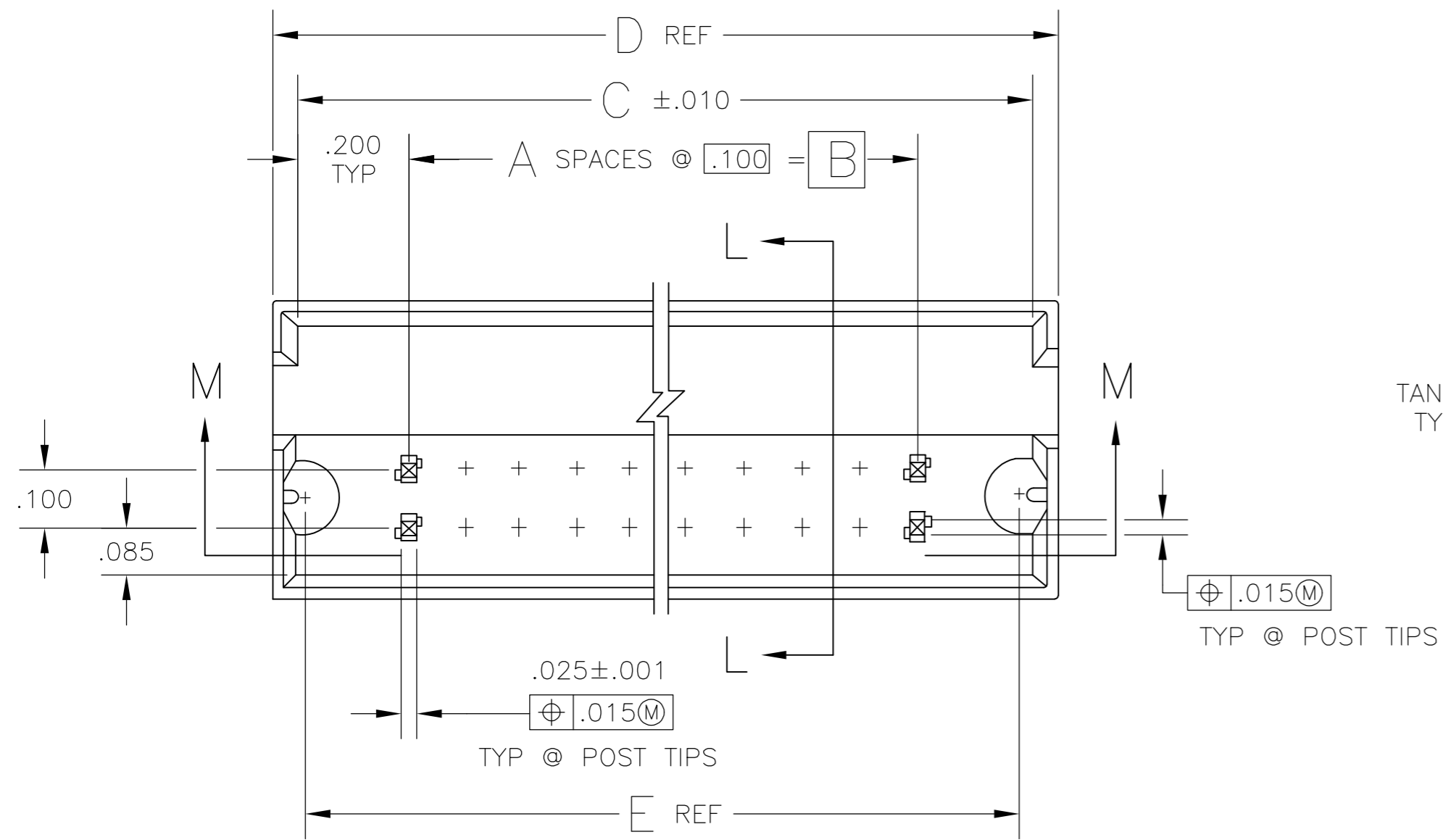
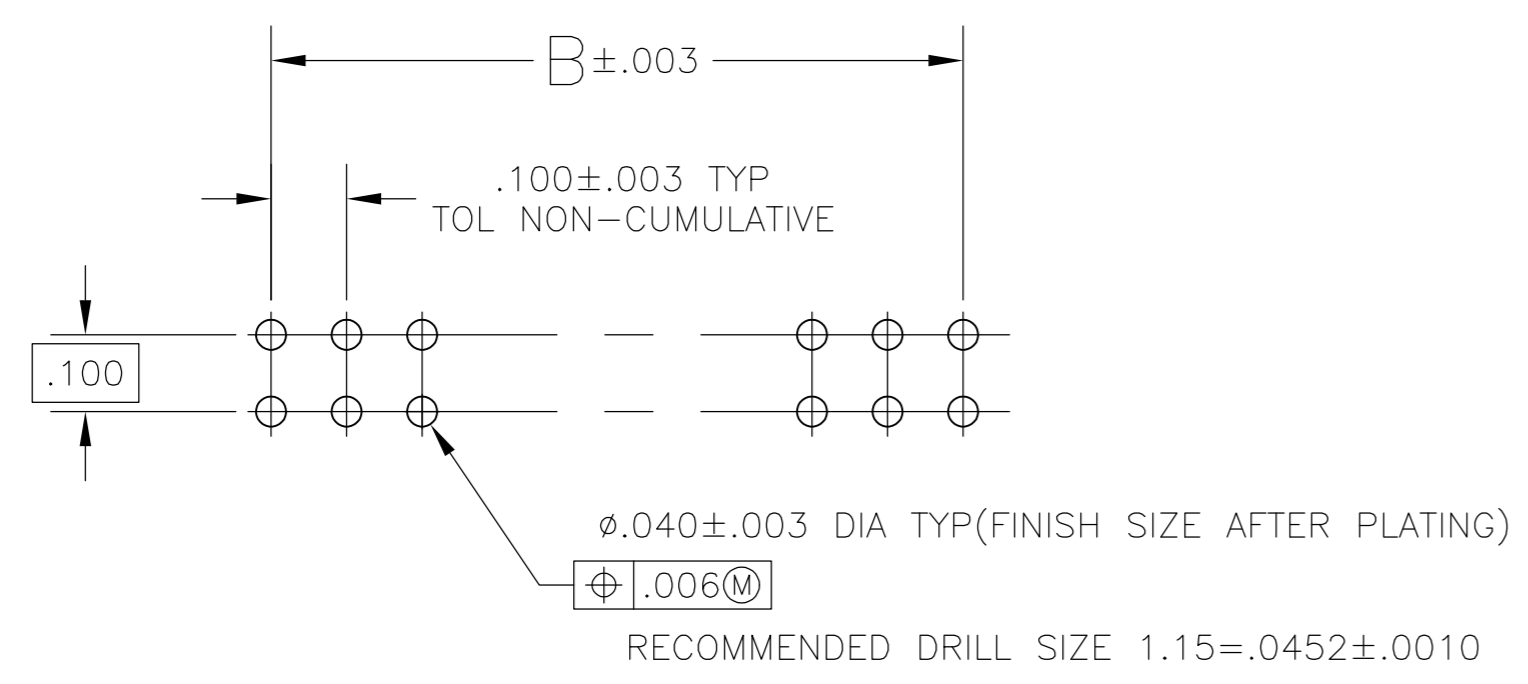


THIS DRAWING IS UNPUBLISHED. RELEASED FOR PUBLICATION  
 © COPYRIGHT BY TYCO ELECTRONICS CORPORATION. ALL RIGHTS RESERVED.

LOC		DIST		REVISIONS			
P	LTR	DESCRIPTION	DATE	DWN	APVD		
	K1	ECO-06-016522	24AUG06	BSV	JO		
	K2	REVISED PER ECO-09-021510	11SEP09	KK	AEG		



SECTION M-M



RECOMMENDED HOLE LAYOUT

- 1 FINISH OVER INDICATED AREA: .000030 GOLD OVER .000050 NICKEL.
- 2 FINISH OVER INDICATED AREA: .000100-.000200 TIN OVER .000050 NICKEL.
- 3 RECESSED DATE CODE.
- 4 FINISH OVER INDICATED AREA: .000100-.000200 MATTE TIN OVER .000050 NICKEL
- 5 ROHS 2002/95/EC COMPLIANT
- 6 OBSOLETE PARTS: OBSOLETE CIS STREAMLINING PER D.RENAUD/D.SINISI

	1	2	3	4	5	6	7	8	9	10	11	12	13	14	15	16	17	18	19	20	21	22	23	24	25	26	27	28	29	30	31	32	33	34	35	36	37	38	39	40	41	42	43	44	45	46	47	48	49	50	51	52	53	54	55	56	57	58	59	60	61	62	63	64	65	66	67	68	69	70	71	72	73	74	75	76	77	78	79	80	81	82	83	84	85	86	87	88	89	90	91	92	93	94	95	96	97	98	99	100
	1.470	1.580	1.500	1.100	11	24	5-533023-8																							5-533023-8																																																																						
	2.770	2.880	2.800	2.400	24	50	5-533023-3																							5-533023-3																																																																						
OBSOLETE	7.270	7.380	7.300	6.900	69	140	533023-9																							533023-9																																																																						
	1.470	1.580	1.500	1.100	11	24	533023-8																							533023-8																																																																						
OBSOLETE	.870	.980	.900	.500	5	12	533023-7																							533023-7																																																																						
OBSOLETE	2.270	2.380	2.300	1.900	19	40	533023-6																							533023-6																																																																						
OBSOLETE																																																																																																				
OBSOLETE	5.270	5.380	5.300	4.900	49	100	533023-4																							533023-4																																																																						
OBSOLETE	2.770	2.880	2.800	2.400	24	50	533023-3																							533023-3																																																																						
OBSOLETE	5.270	6.380	6.300	5.900	59	120	533023-2																							533023-2																																																																						
OBSOLETE	4.270	4.380	4.300	3.900	39	80	533023-1																							533023-1																																																																						

THIS DRAWING IS A CONTROLLED DOCUMENT.

DWN: 08MAR85  
 CHK: 15MAR85  
 DOUGLAS SARVER  
 APVD: 15MAR85

Tyco Electronics Corporation  
 Harrisburg, Pa 17105-3608

NAME: DOUGLAS SARVER

PRODUCT SPEC: -  
 APPLICATION SPEC: -  
 WEIGHT: -

MATERIAL: GLASS FILLED NYLON, COLOR, BLACK  
 POST: COPPER ALLOY

FINISH: 1 2 4

SIZE: A2  
 CAGE CODE: 00779  
 DRAWING NO: C=533023

RESTRICTED TO: -

CUSTOMER DRAWING  
 SCALE: 4:1  
 SHEET: 1 OF 1  
 REV: K2