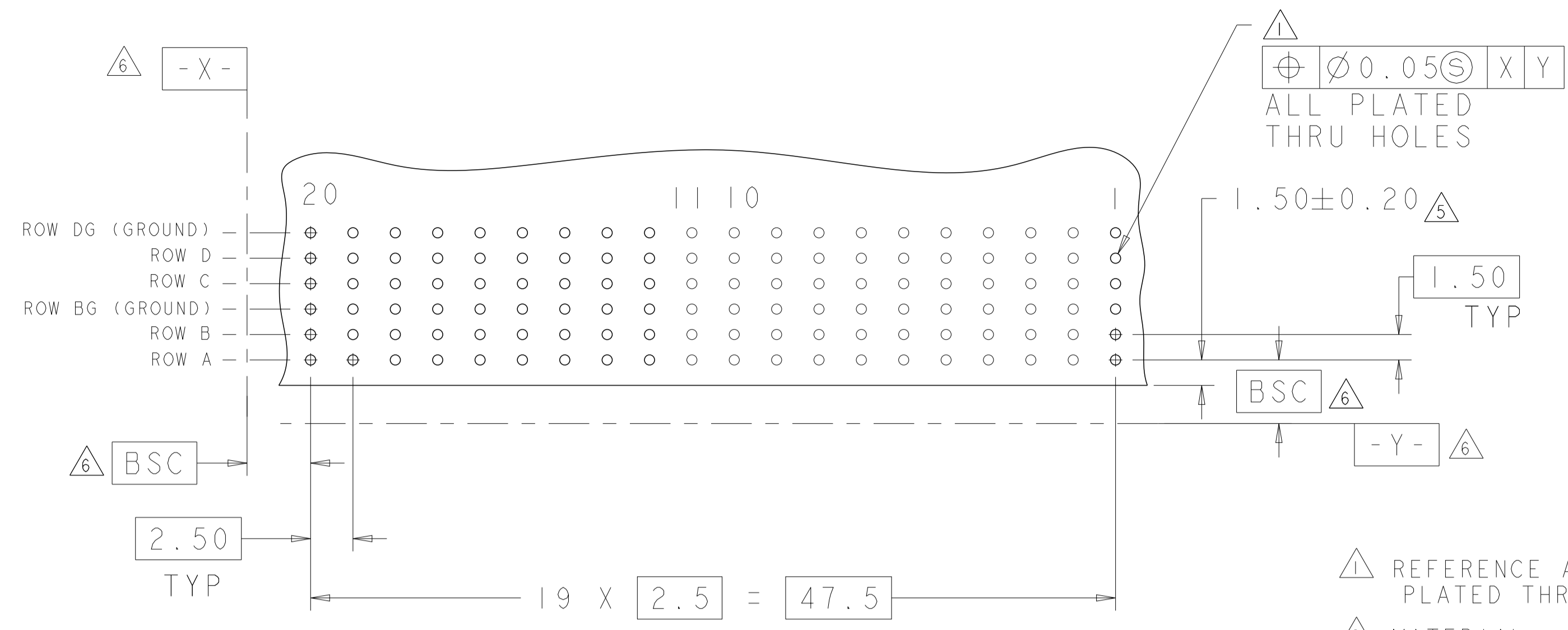
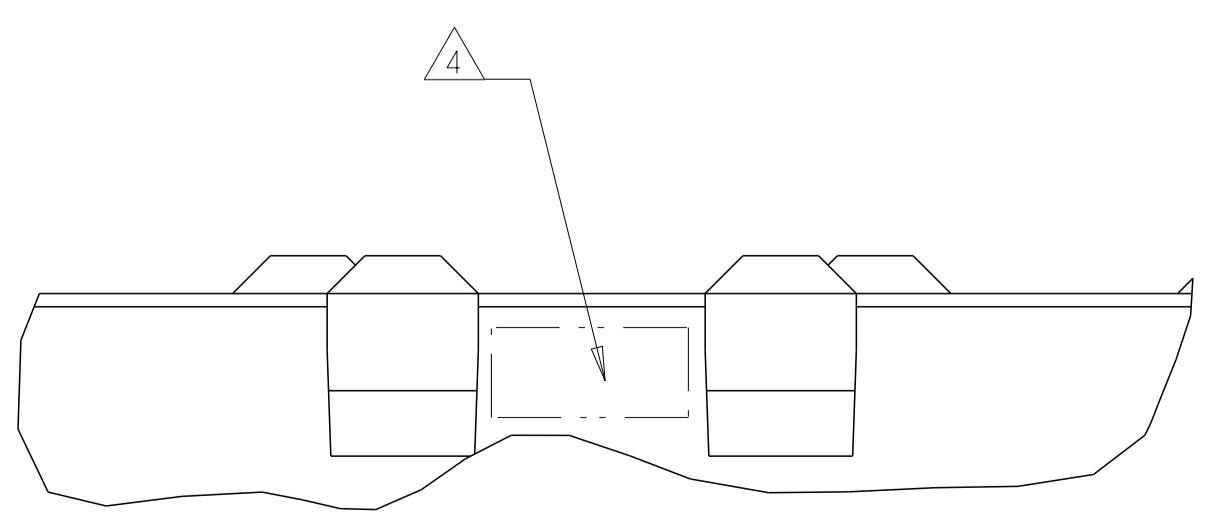
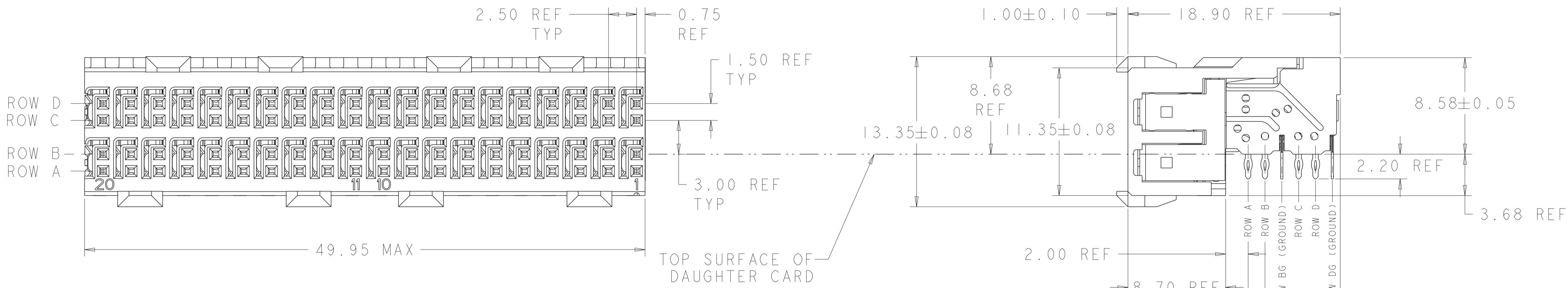
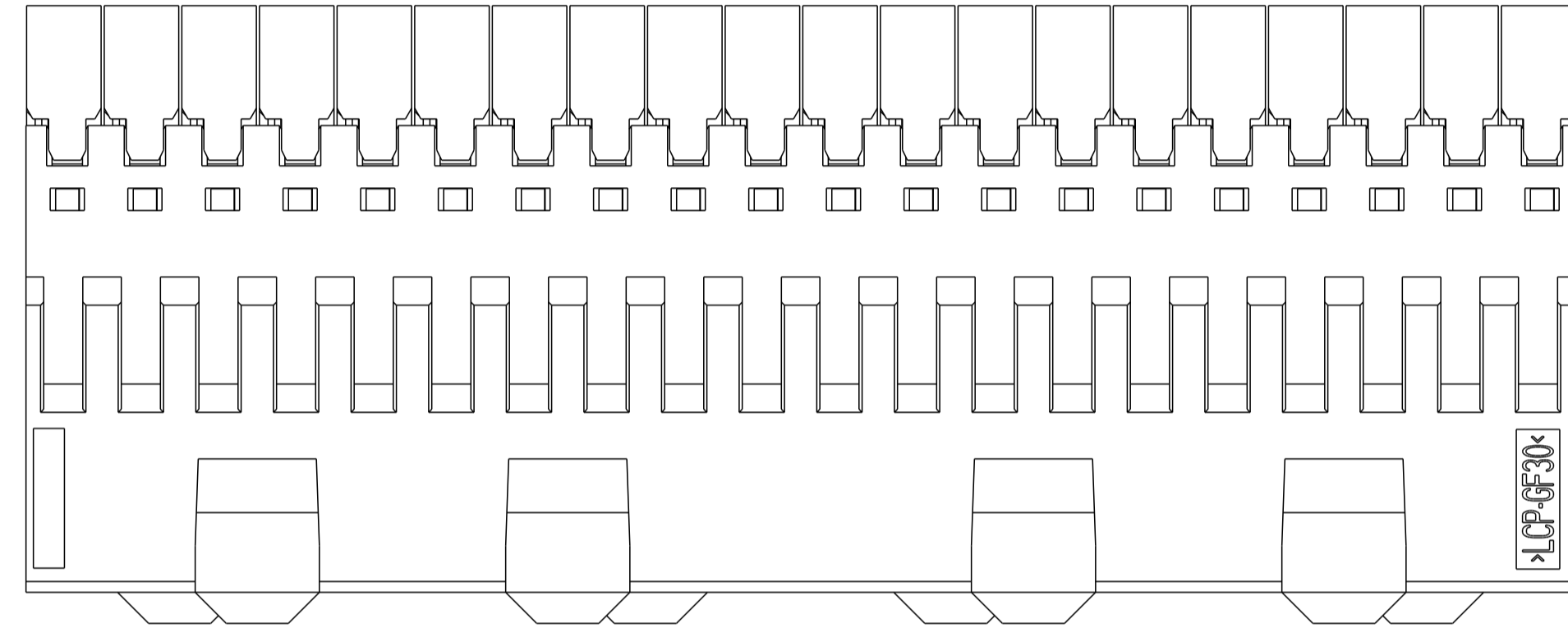


LOC		DIST		REVISIONS			
P	LTN	DESCRIPTION	DATE	DMN	APVD		
D		REVISED PER ECO-12-010079	08SEP2012	KH	JE		



- △ REFERENCE APPLICATION SPEC 114-13059 FOR RECOMMENDED PLATED THRU HOLE DIAMETER AND PLATING THICKNESSES.
 - △ MATERIAL:
SHIELD - PHOSPHOR BRONZE
CONTACT - COPPER-NICKEL-SILICON
HOUSING, CHICKLET AND CHICKLET COVER -
GLASS FILLED POLYESTER, UL 94V-0 RATED.
 - △ FINISH: SIGNAL AND GROUND CONTACTS:
MATING AREA: MEETS THE PERFORMANCE REQUIREMENTS OF
PRODUCT SPECIFICATION 108-2055; BASED ON TELCORDIA
GR-1217-CORE, APPLICATIONS IN UNCONTROLLED
ENVIRONMENTS
COMPLIANT PIN AREA: 0.5µm MIN BRIGHT
TIN-LEAD OVER BASE PLATING
 - △ CONNECTOR MARKED WITH PART NUMBER AND DATE CODE
IN APPROXIMATE AREA SHOWN
 - △ DIMENSION APPLIES TO CENTERLINE OF THRU HOLE.
 - △ DATUMS AND BASIC DIMENSIONS ESTABLISHED BY
CUSTOMER.
7. CONTACT AREA LUBRICATED WITH BELLCORE
APPROVED LUBRICANT. TECHNICAL REFERENCE:
GR-1217-CORE, ISSUE 1, NOVEMBER 1995.

RECOMMENDED PC BOARD LAYOUT,
DAUGHTER BOARD,
COMPONENT SIDE SHOWN
SCALE 4:1



1469077-1
PART NUMBER

THIS DRAWING IS A CONTROLLED DOCUMENT.		DMN S. J. MAGARO 25APR2002	TE Connectivity
DIMENSIONS:		CHK N. F. SCHRULL 25APR2002	
mm	0 PLC ±	APVD H. PATTERSON 16MAY2007	NAME
	1 PLC ±	PRODUCT SPEC	RECEPTACLE ASSEMBLY, 2 PAIR, 50mm, HMZd
	2 PLC ±	APPLICATION SPEC	SIZE CAGE CODE DRAWING NO
	3 PLC ±	WEIGHT	A100779C=1469077
	4 PLC ±	CUSTOMER DRAWING	RESTRICTED TO
	ANGLES ±	SCALE 5:1	SHEET 1 OF 1
	FINISH	REV D	