

NOTES:

1. MATERIALS AND FINISHES:

BODY	- ZINC DIECAST	- NICKEL PLATED (.000200" MIN.)
OUTER CONTACT	- BRASS	- NICKEL PLATED (.000100" MIN.)
FEMALE CONTACT	- BERYLLIUM COPPER	- GOLD PLATED (.000030" MIN.) OVER NICKEL
SPRING RING	- BERYLLIUM COPPER	- NICKEL PLATED
FERRULE	- COPPER ALLOY	- NICKEL PLATED
CAP	- BRASS	- NICKEL PLATED
INSULATOR		- PTFE

2. ELECTRICAL:

A. IMPEDANCE	= 75 OHMS, NOMINAL
B. FREQUENCY RANGE	= DC - 2.0 GHz
C. VSWR (RETURN LOSS)	= 1.430 MAX. (15.0 dB)

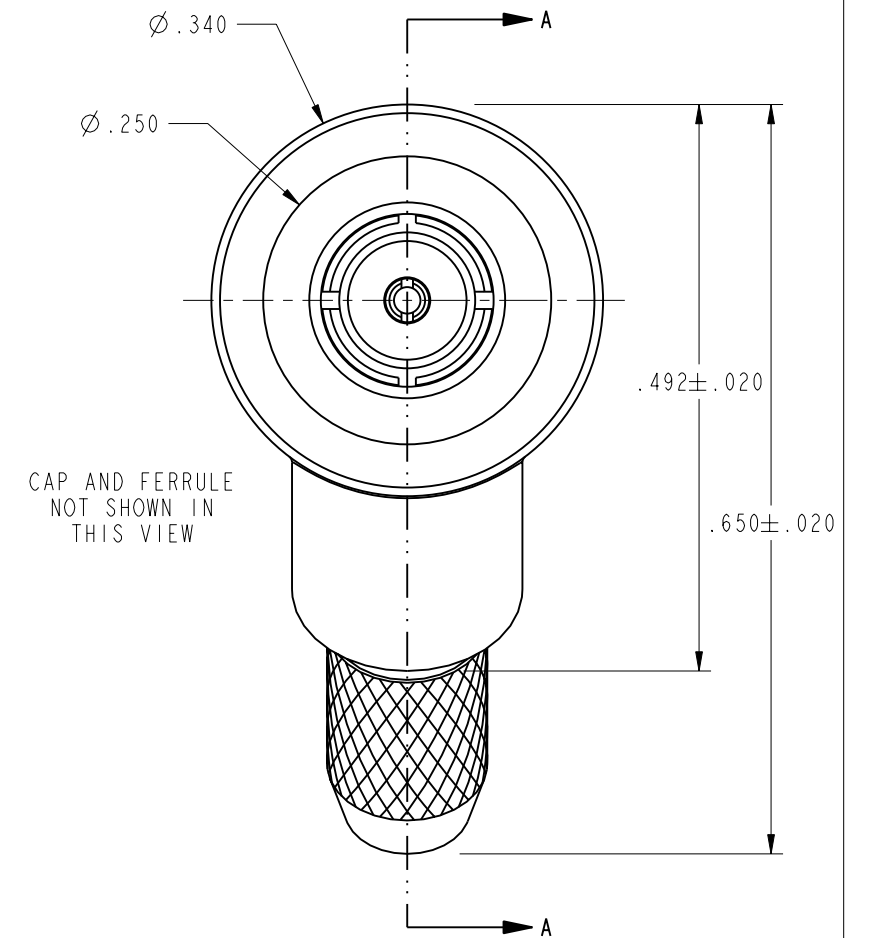
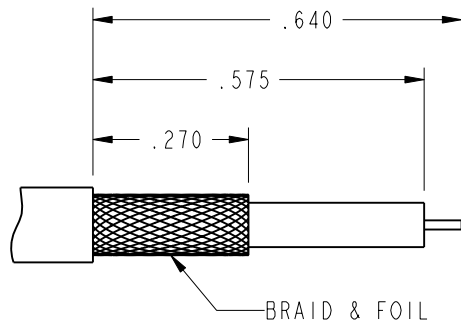
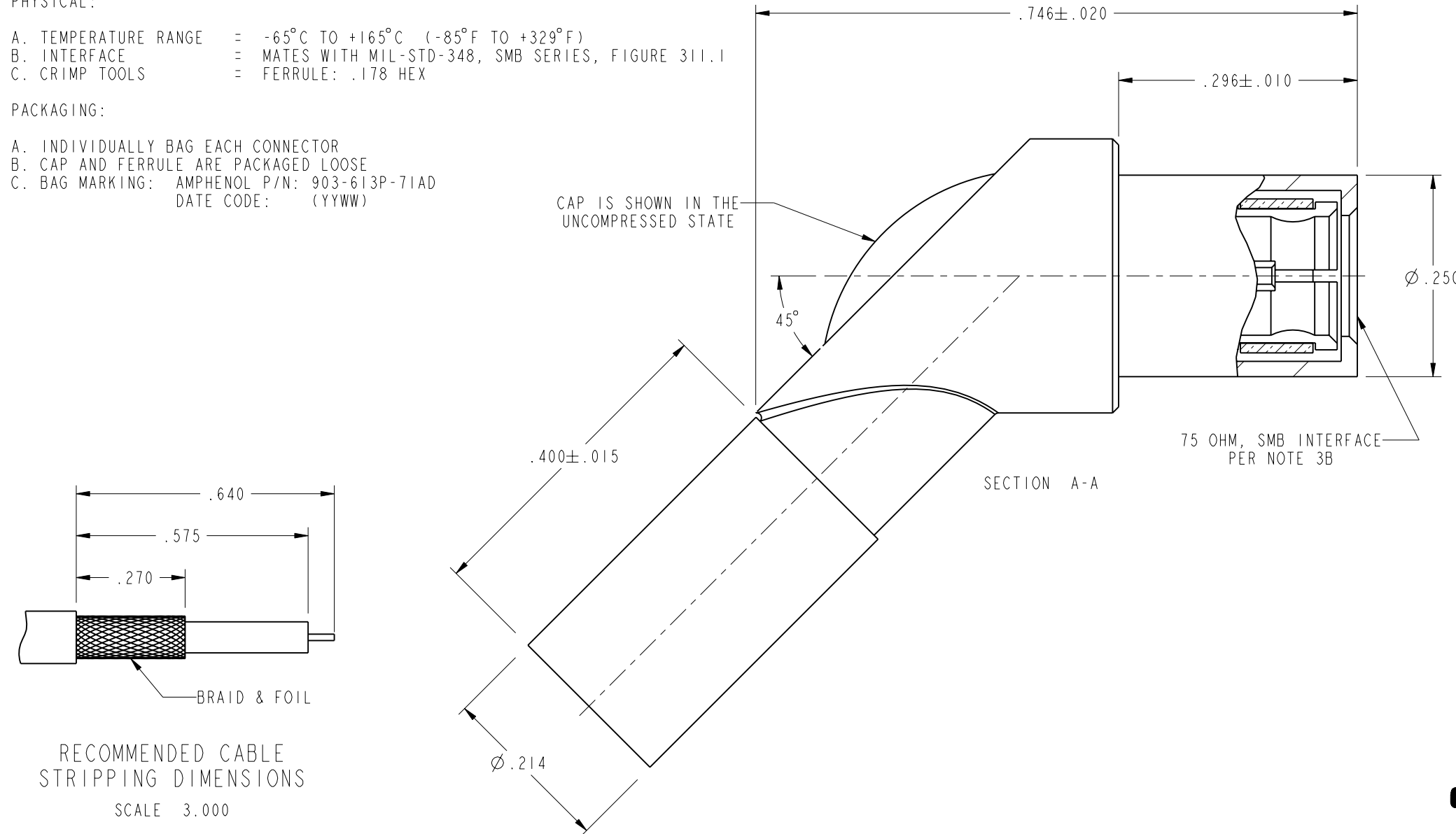
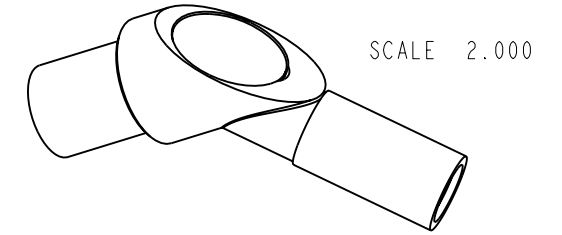
3. PHYSICAL:

A. TEMPERATURE RANGE	= -65°C TO +165°C (-85°F TO +329°F)
B. INTERFACE	= MATES WITH MIL-STD-348, SMB SERIES, FIGURE 311.1
C. CRIMP TOOLS	= FERRULE: .178 HEX

4. PACKAGING:

A. INDIVIDUALLY BAG EACH CONNECTOR
B. CAP AND FERRULE ARE PACKAGED LOOSE
C. BAG MARKING: AMPHENOL P/N: 903-613P-71AD
DATE CODE: (YYWW)

903-613P-71AD		REVISIONS			
DRAWING NO.	REV	DESCRIPTION	DATE	ECO	APPR
THIRD ANGLE PROJ.	A	RELEASE TO MFG	6/5/02	44067	CPM



CUSTOMER OUTLINE DRAWING
ALL OTHER SHEETS ARE FOR INTERNAL USE ONLY

UNLESS OTHERWISE SPECIFIED, DIMENSIONS ARE IN INCHES AND TOLERANCES ARE: 2 PLACE DECIMAL ±.015 (0,381 mm) 3 PLACE DECIMAL ±.005 (0,127 mm) ANGLES ± 1°	MATERIAL	DRAWN C. McGRATH	DATE 5/23/02	TITLE SMB PLUG, 45 DEGREE, 75 OHM FOR 735A CABLE ZINC DIECAST BODY	Amphenol Amphenol Corporation Communication and Network Products Division Danbury, CT U.S.A. 06810
	REFERENCE EAR# 215 GEN# ASSYM17_SMB 615X-1673-800	ENGINEER B.C. GLEISSNER	DATE 5/23/02		
NOTICE - These drawings, specifications, or other data (1) are, and remain the property of Amphenol Corp. (2) must be returned upon request; and (3) are confidential and not to be disclosed to any person other than those to whom they are given by Amphenol Corp. The furnishing of these drawings, specifications, or other data by Amphenol Corp., or to any other person to anyone for any purpose is not to be regarded by implication or otherwise in any manner licensing, granting rights or permitting such holder or any other person to manufacture, use or sell any product, process or design, patented or otherwise, that may in any way be related to or disclosed by said drawings, specifications, or other data.		APPROVED O. BARTHELMES	DATE 5/29/02	CODE ID 74868	DWG SIZE B
		CAD FILE I:\SMB\903-613P-71AD	DRAWING NO. 903-613P-71AD	REV A	SCALE: 6.0:1