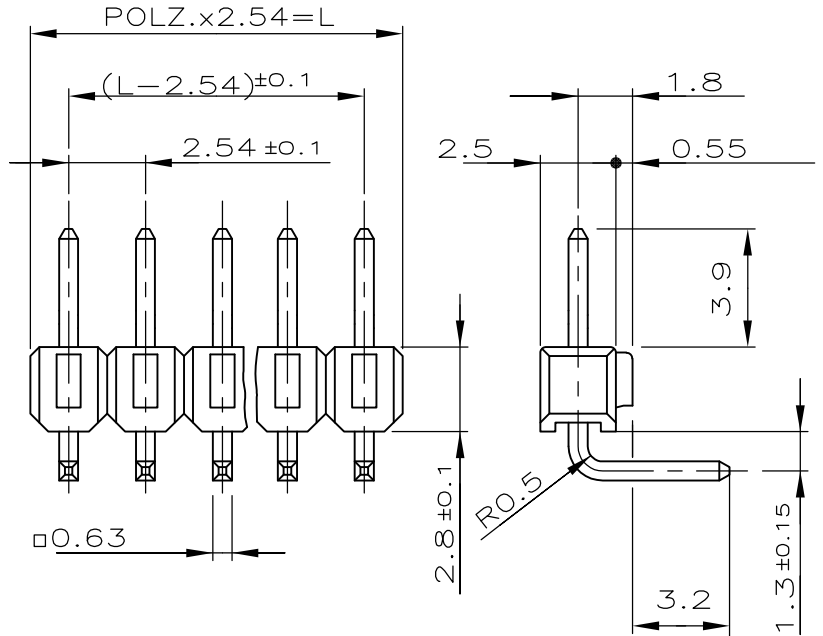


LOC	DIST	REVISIONS		
A1	—	P	LTR	DESCRIPTION
				DATE
				DWN
				APVD
		C		Lug length change from 2mm to 1.75mm
				09JAN2013
				KJK
				RP

POLZ	L±0.4	BESTELL-NR.	
—	—	—	—
2	5.08	-2	△
3	7.62	-3	△
4	10.16	827 795 -4	△
5	12.70	-5	—
6	15.24	-6	△
7	17.78	-7	—
8	20.32	-8	△
9	22.86	827 795 -9	△
10	25.40	1- -0	△
11	27.94	1- -1	△
12	30.48	1- -2	△
13	33.02	1- -3	△
14	35.56	1- -4	△
15	38.10	1- -5	△
16	40.64	1- -6	△
17	43.18	1- -7	△
18	45.72	1- -8	△
19	48.26	1- -9	△
20	50.80	2- -0	△
21	53.34	2- -1	△
22	55.88	2- -2	△
23	58.42	2- -3	△
24	60.96	2- -4	△
25	63.50	2- -5	△
26	66.04	2- -6	△
27	68.58	2- -7	△
28	71.12	2- -8	△
29	73.66	2- -9	△
30	76.20	3- -0	△
31	78.74	3- -1	△
32	81.28	3- -2	△
33	83.82	3- -3	△
34	86.36	3- -4	△
35	88.90	3- -5	△
36	91.44	3- -6	△
37	93.98	3- -7	△
38	96.52	3- -8	△
39	99.06	3- -9	△
40	101.60	4- -0	△
41	104.14	4- -1	△
42	106.68	4- -2	△
43	109.22	4- -3	△
44	111.76	4- -4	△
45	114.30	4- 827 795 -5	△
46	116.84	4- -6	△
47	119.38	4- -7	△
48	121.92	4- -8	△
49	124.46	4- -9	△
50	127.00	5- 827 795 -0	△



△ 1 OBSOLETE

ZEICHNUNG GÜLTIG AB KW 40/91

—	CuSn	MIN. 2µm Sn ÜBER 1.27µm Ni (VORVERZINNT)	KONTAKTSTIFT	2
—	PBT-GV	GRÜN	STIFTGEÄUSE	1
PCS.	MATERIAL	SURFACE COLOR	DESCRIPTION	

RELEASED FOR PUBLICATION

ALL RIGHTS RESERVED.

By —

© COPYRIGHT 82-

THIS DRAWING IS UNPUBLISHED.

DIMENSIONS: mm	DWN	17JUL89	MATERIAL	SEE TABLE	FINISH	SEE TABLE
	CHK	17JUL89				
TOLERANCES UNLESS OTHERWISE SPECIFIED: ISO 8015 ISO 2768 - mH -E DIN 16901 - 140	APVD	17JUL89				
0 PLC ± -	PRODUCT SPEC	NAME				RESTRICTED TO
1 PLC ± 0.2	—	AMPMODU II STIFTELEISTE 90° EINREIHIG				
2 PLC ± 0.2	APPLICATION SPEC	—	SIZE	CAGE CODE	DRAWING NO	—
3 PLC ± -	—	A4	00779	C-827795		
4 PLC ± -	WEIGHT	—	CUSTOMER DRAWING			SCALE
ANGLES ± -			4:1		SHEET	1 OF 1
						REV
						C