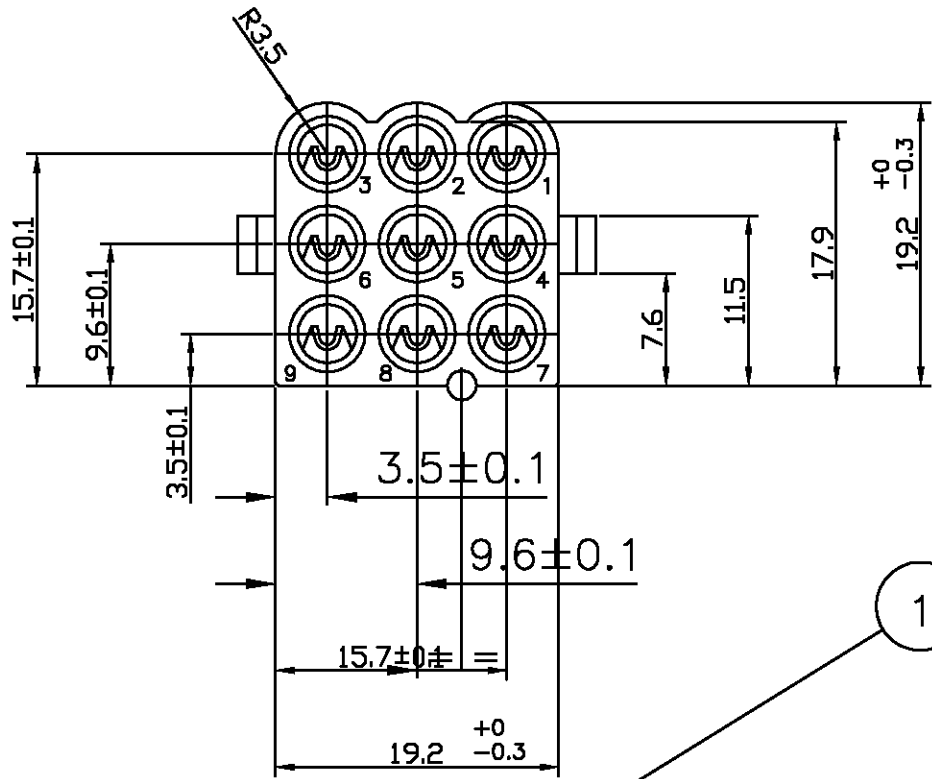


THIS DRAWING IS UNPUBLISHED. RELEASED FOR PUBLICATION
 © COPYRIGHT BY ALL RIGHTS RESERVED.

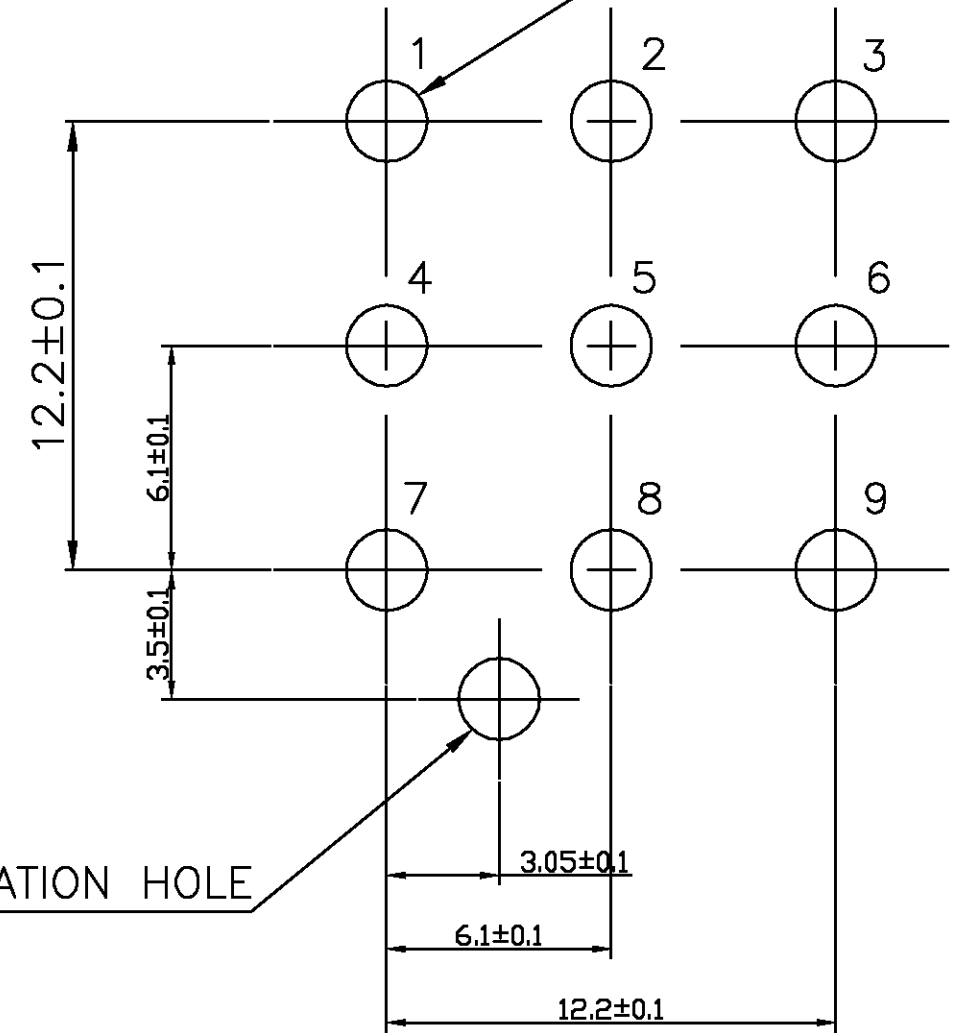
LOC	DIST	REVISIONS					
Z	00	P	LTR	DESCRIPTION	DATE	DWN	APVD
		B1		REVISED PER ECO-11-005150	28MAR11	RK	HMR



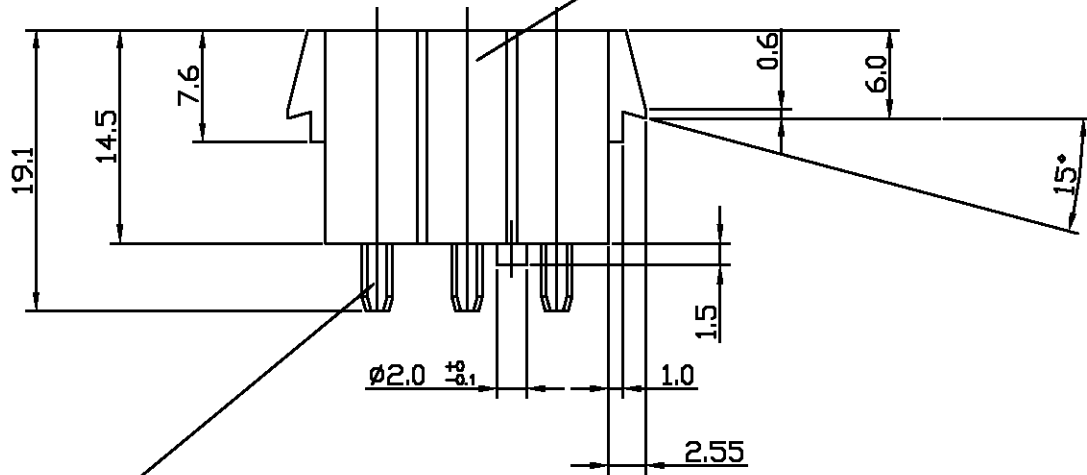
FINALIZED HOLE $\phi 2.2^{+0.1}_0$ AMOUNT 9+1

MATES WITH 1-480673-0 PCB PATTERN.

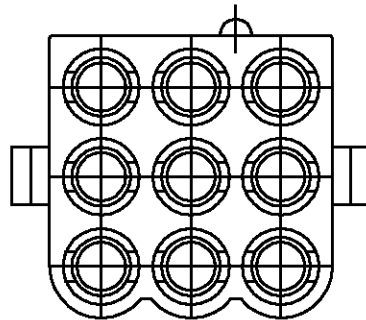
SCALE 5:1



POLARIZATION HOLE



2



365046-1	9	PCB SOCKET	Cu Sn PRETIN.	926915-1
	1	REC.HOUSING	PA 6.6 NAT	927011-1
PART NO.	AMOUNT	FINISH	MATERIAL	PARTNUMBER

THIS DRAWING IS A CONTROLLED DOCUMENT.		DWN	11FEB99	TE Connectivity NAME 9-Pos. Rec. Header 9x ±3.5 mm Pcb. Socket Assy.
DIMENSIONS: MM		CHK	-	
TOLERANCES UNLESS OTHERWISE SPECIFIED:		APVD	-	
0 PLC ±- 1 PLC ±- 2 PLC ±- 3 PLC ±- 4 PLC ±- ANGLES ±-		PRODUCT SPEC	-	
MATERIAL -		FINISH	-	APPLICATION SPEC
		WEIGHT	-	RESTRICTED TO
		CUSTOMER DRAWING		SIZE A3
		SCALE 1:1		CAGE CODE 00779
		SHEET 1 OF 1		DRAWING NO ©=365046
		REV B1		