

C3225X7R2E224K200AE

TDK Item Description : C3225X7R2E224KT***S

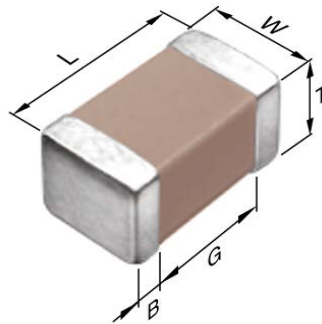


Application & Main Feature

Commercial Grade (Soft Termination)

Series

C3225 [EIA CC1210]



Dimensions

| | |
|---|--------------------|
| L | 3.20mm +0.5,-0.4mm |
| W | 2.50mm +/-0.3mm |
| T | 2.00mm +0.3,-0.2mm |
| B | 0.20mm Min. |
| G | |

Temperature Characteristic

X7R (-55 to 125 degC +/-15%)

Rated Voltage

2E (250Vdc)

Capacitance

220nF

Capacitance Tolerance

K (+/-10%)

Dissipation Factor

3% Max.

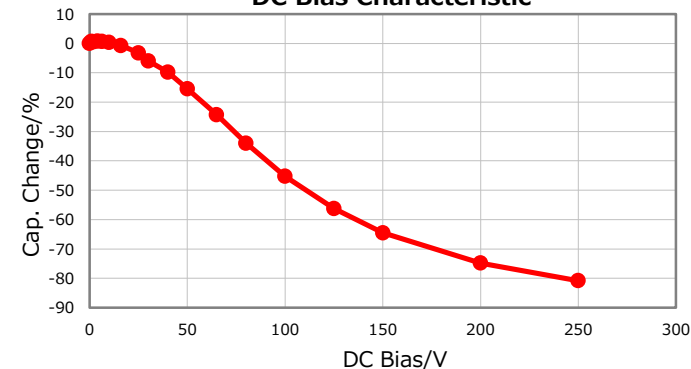
Insulation Resistance

2.272Gohm Min

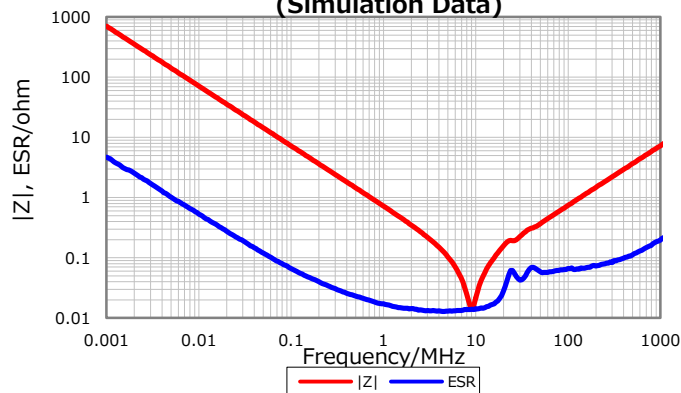
AEC-Q200

Not Applicable

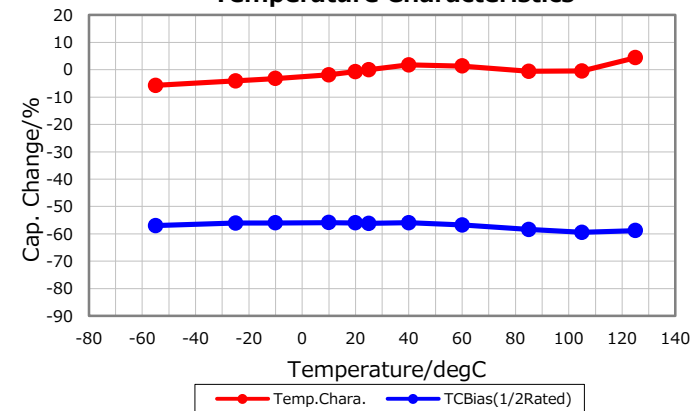
DC Bias Characteristic



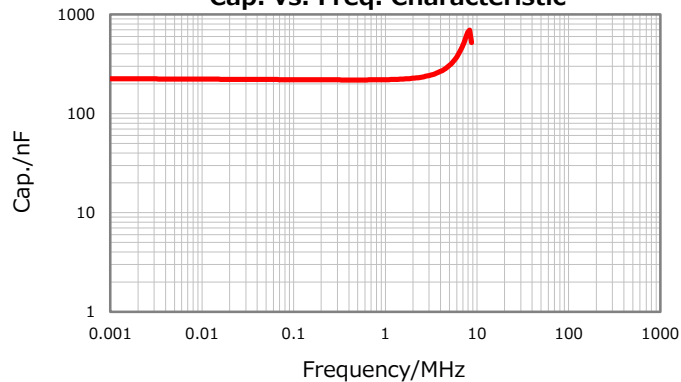
|Z|, ESR vs. Freq. Characteristics (Simulation Data)



Temperature Characteristics



Cap. vs. Freq. Characteristic



Ripple Temperature Rise Characteristics

