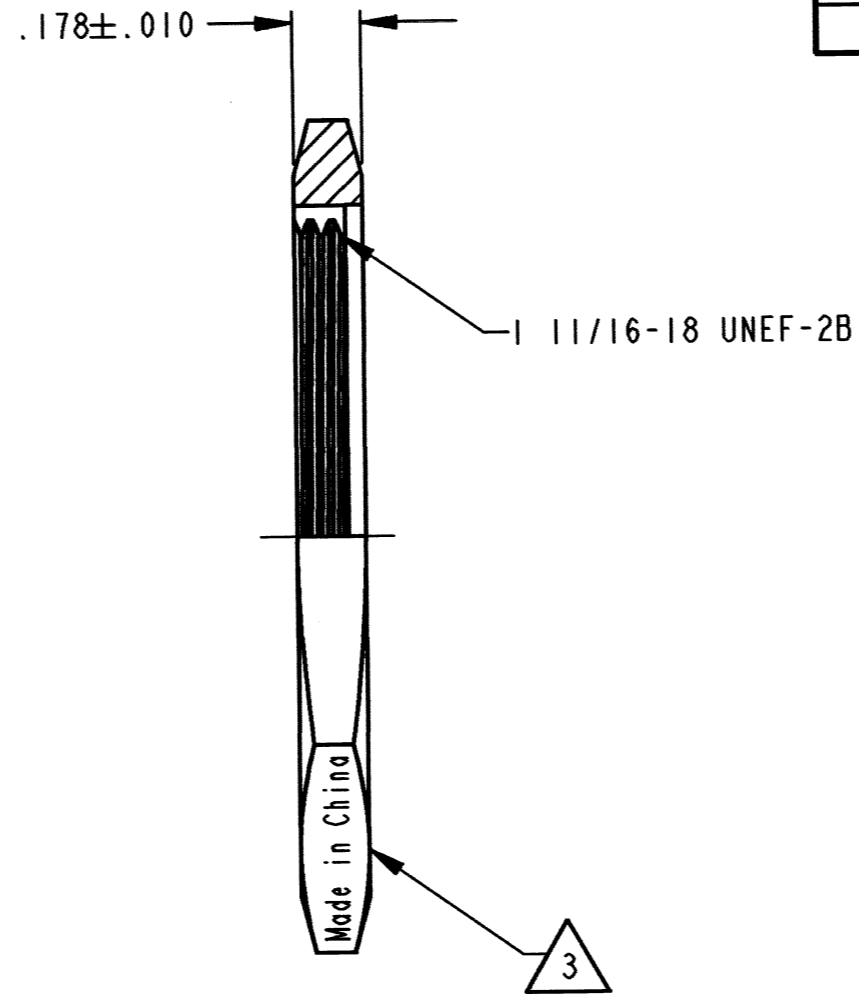
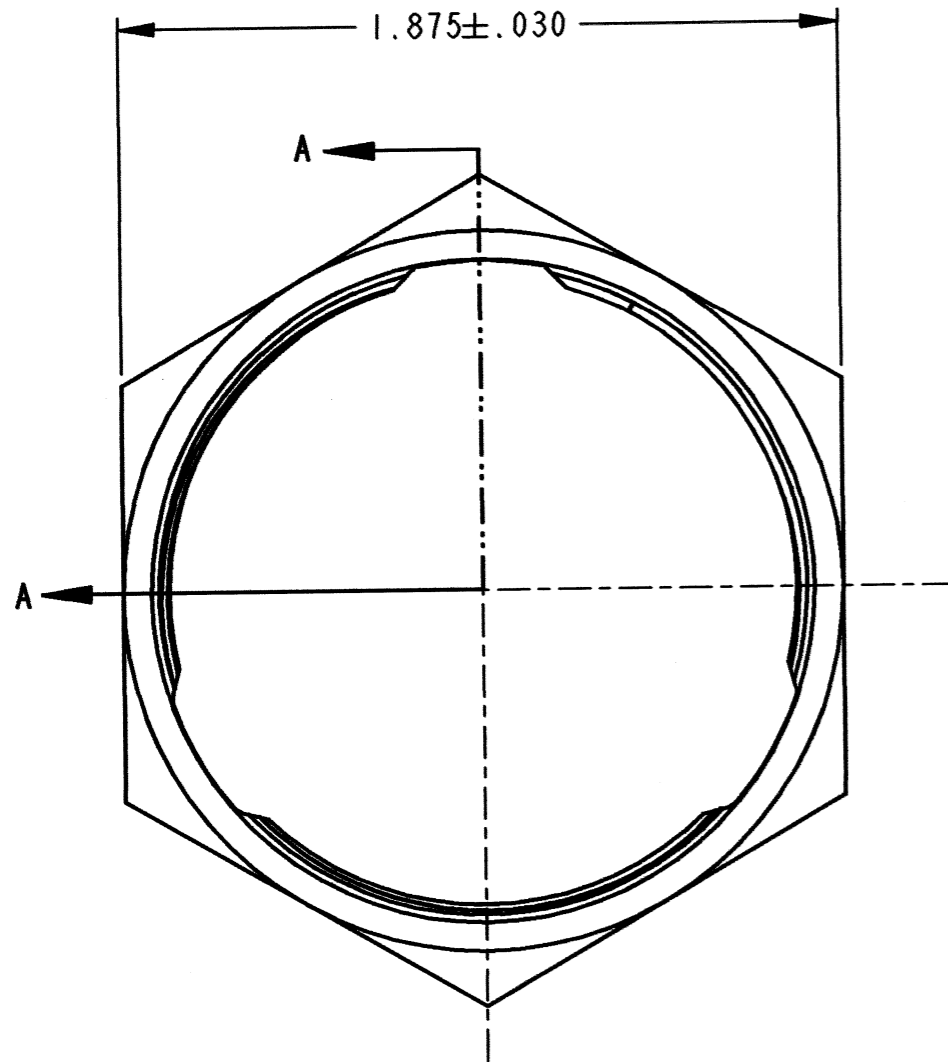


REV
C

112263-90

REVISIONS

SYM	DESCRIPTION	DATE	APPROVED
A	REVISED PER E.O. 77931	1/14/75	S.B.
B	REVISED PER E.O. P20482	4/29/10	R.D.R.
C	REVISED PER E.O. P20592	9-24-10	ADR



SECTION A-A

3. PERMANENTLY AND LEGIBLY IDENTIFY THE COUNTRY OF ORIGIN LOCATED AS SHOWN. STYLE AND SIZE SHOWN AS REFERENCE. EXAMPLE: Made in China.

2. MATERIAL: ALUMINUM.


1. PLATING: CARNUBA WAX.

NOTES:

SIGNATURE & DATE	
DR	M. GISH 1/25/73
CHK	B. Dyford 9/20/2010
PE	J. Brown 8/29/10
APPD	S. Brown 9-3-10
SCALE	NONE WT

NUT, PANEL
SINGLE HOLE MOUNTING
BAYONET COUPLING
SIZE 24
HD SERIES

ENVELOPE

EP	MATL. CODE
 3850 INDUSTRIAL AVE. HEMET, CA 92545	
B	112263-90
DWG SIZE	CODE 11139 SHEET OF