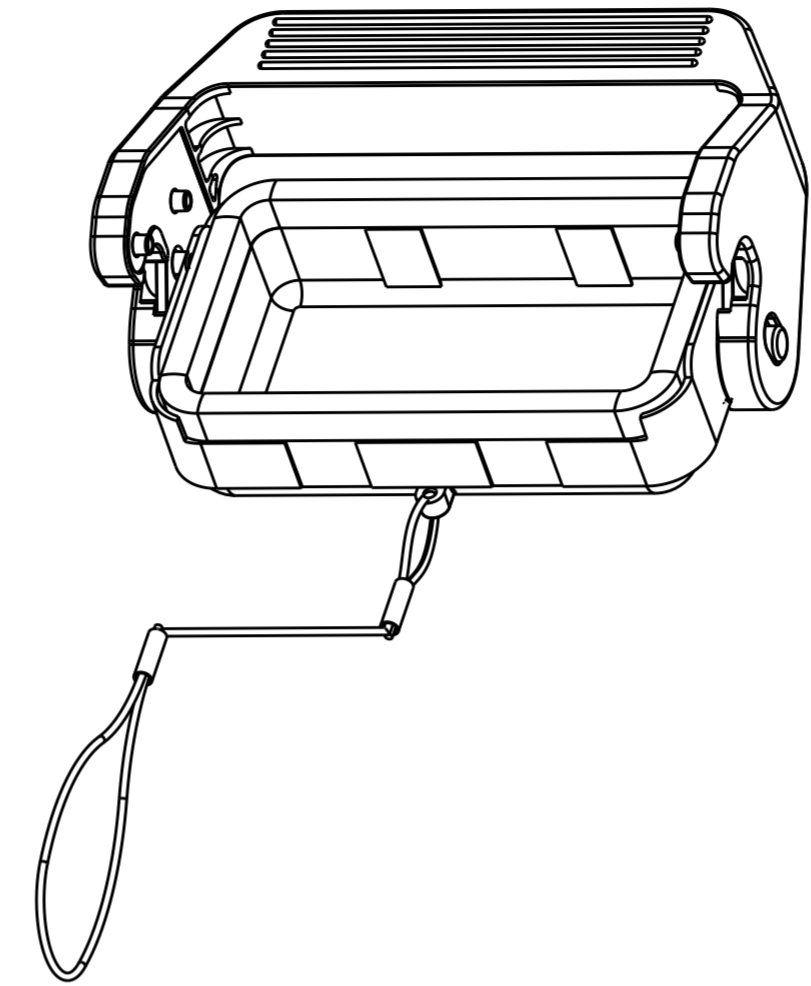
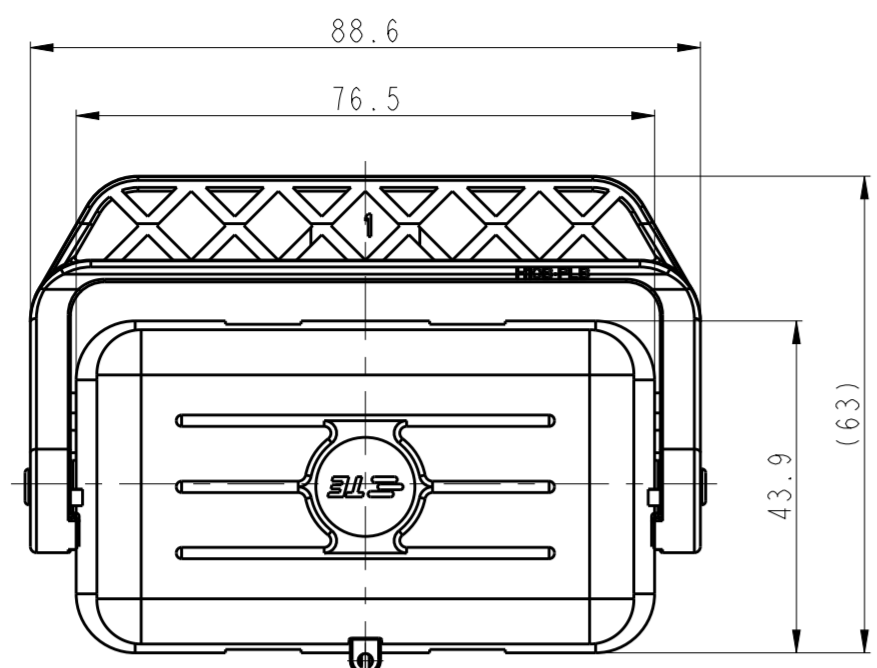


THIS DRAWING IS UNPUBLISHED. RELEASED FOR PUBLICATION
 © COPYRIGHT copyright.d8Te- ALL RIGHTS RESERVED.

REVISIONS					
P	LTR	DESCRIPTION	DATE	DWN	APVD
	A	INITIAL	18JAN2017	CH	CW
	AI	ECR-17-007543	27MAY2017	CH	CW

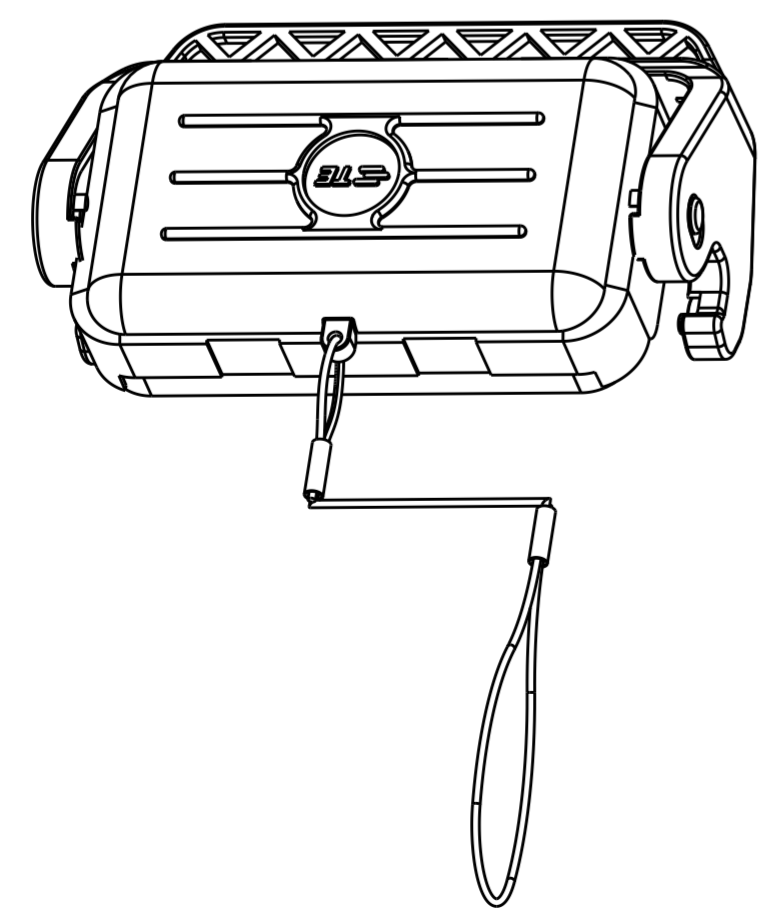
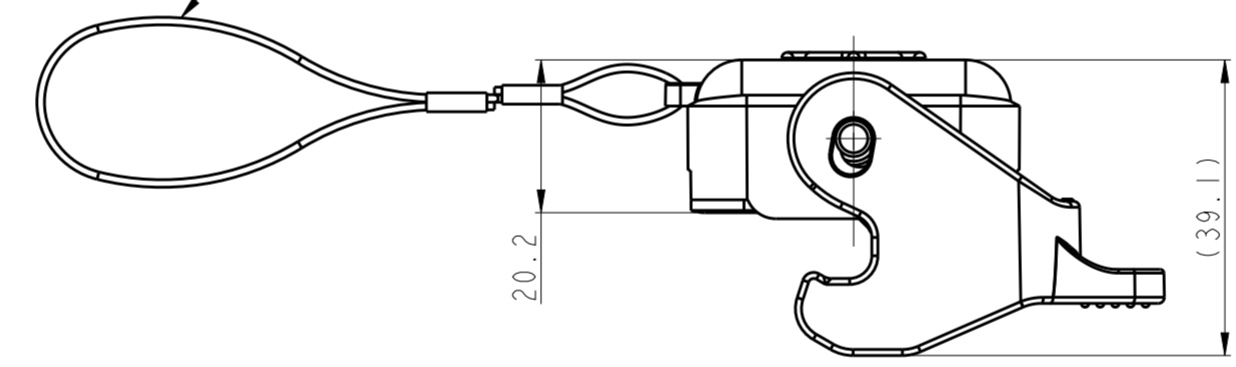
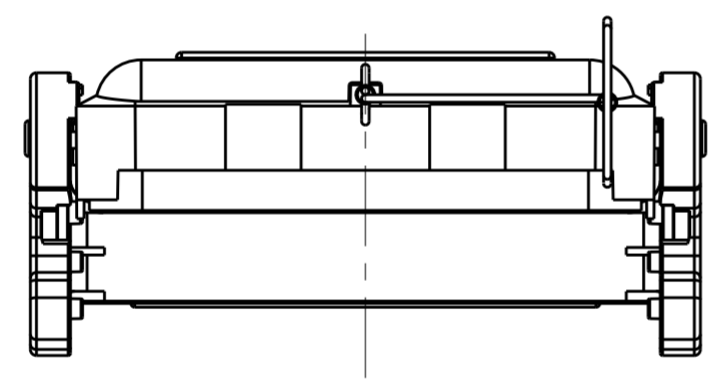


NOTES:
 1. TECHNICAL CHARACTERISTICS:
 COVER MATERIAL: PC, GREY
 PLASTIC SINGLE LOCKING MATERIAL: NYLON, GREY
 SEALING MATERIAL: NBR, BLACK

注释:
 1. 技术参数:
 保护盖材质: PC, 灰色
 塑料单扣材质: 尼龙, 灰色
 密封材质: NBR, 黑色

TRANSPARENT NYLON ROPE:
 TOTAL LENGTH 380mm,
 DIA. \varnothing 1.0mm
 透明尼龙绳: 总长380mm, 直径 \varnothing 1.0mm

LOOP SIZE DEFAULT VALUE DIA. \varnothing 28.5,
 UNLESS HAVE SPECIAL REQUIREMENT.
 套圈大小默认值直径是 \varnothing 28.5, 除非有特别要求。



T1010101500-000	H10B-KDTP-LB	H10B HOOD PLASTIC PROTECTION COVER, PLASTIC SINGLE LOCKING, SEALING, NYLON ROPE, GREY H10B上壳塑料保护盖, 塑料单扣, 带密封, 尼龙绳, 灰色
PART NUMBER 料号	PART DESCRIPTION 描述	

THIS DRAWING IS A CONTROLLED DOCUMENT.		DWN CHARLIE.HU 18JAN2017	TE Connectivity	
		CHK KYLE.ZENG 18JAN2017		
		APVD CHRIS.WANG 18JAN2017	NAME H10B-KDTP-LB	
DIMENSIONS: mm 		TOLERANCES UNLESS OTHERWISE SPECIFIED: 0 PLC \pm 1 PLC \pm 2 PLC \pm 3 PLC \pm 4 PLC \pm ANGLES \pm FINISH -		PRODUCT SPEC - APPLICATION SPEC - WEIGHT -
MATERIAL -		SCALE A2		DRAWING NO C-T1010101500000 SHEET OF REV AI