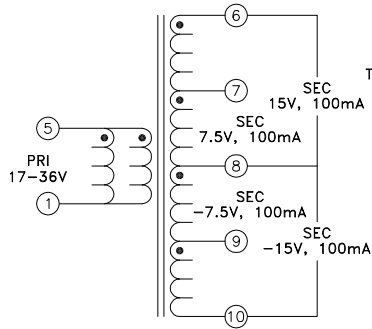
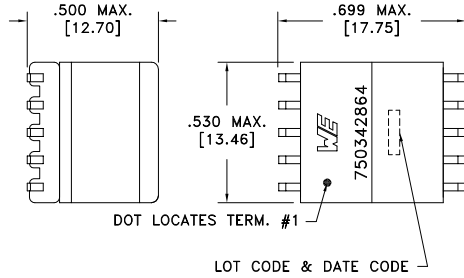
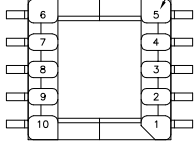


CUSTOMER TERMINAL	RoHS	LEAD(Pb)-FREE
Sn96%, Ag4%	Yes	Yes

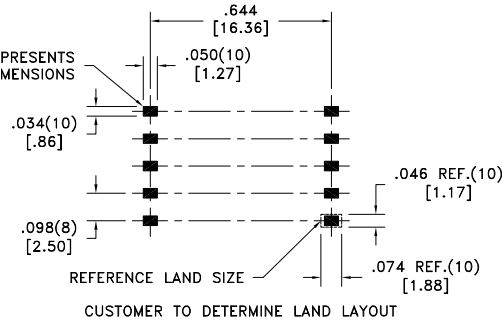
more than you expect



TERM. NO.'s FOR REF. ONLY



AREA REPRESENTS
TERMINAL PAD DIMENSIONS



ELECTRICAL SPECIFICATIONS @ 25°C unless otherwise noted:

PARAMETER	TEST CONDITIONS	VALUE
D.C. RESISTANCE	5-1 @20°C	0.075 ohms max.
D.C. RESISTANCE	6-7 @20°C	0.300 ohms max.
D.C. RESISTANCE	7-8 @20°C	0.280 ohms max.
D.C. RESISTANCE	8-9 @20°C	0.260 ohms max.
D.C. RESISTANCE	9-10 @20°C	0.250 ohms max.
INDUCTANCE	5-1 50kHz, 100mVAC, Ls	50.0uH ±10%
INDUCTANCE	5-1 50kHz, 100mVAC, 2A, Ls	10.00uH min.
6B SATURATION CURRENT	5-1 20% rolloff from initial	1.8A min.
LEAKAGE INDUCTANCE	5-1 tie(6+7+8+9+10), 100kHz, 100mVAC, Ls	1200nH max.
RESONANT FREQUENCY	5-1	1.50MHz min.
DIELECTRIC	5-Core 625VAC, 1 second	500VAC, 1 minute
DIELECTRIC	6-Core 625VAC, 1 second	500VAC, 1 minute
DIELECTRIC	5-6 1875VAC, 1 second	1500VAC, 1 minute
TURNS RATIO	(5-1):(6-7)	1:1, ±2%
TURNS RATIO	(5-1):(7-8)	1:1, ±2%
TURNS RATIO	(5-1):(8-9)	1:1, ±2%
TURNS RATIO	(5-1):(9-10)	1:1, ±2%

GENERAL SPECIFICATIONS:

OPERATING TEMPERATURE RANGE: -40°C to +125°C including temp rise.

Wire insulation & RoHS status not affected by wire color.
Wire insulation color may vary depending on availability.

REV.	DATE	Packaging Specifications Method: Tape & Reel PKG-0499 www.we-online.com/midcom		Tolerances unless otherwise specified: Angles: ±1° Fractions: ±1/64 Decimals: ±.005 [.13] Footprint: ±.005 [.13]	DRAWING TITLE TRANSFORMER	PART NO. 750342864
6B	8/16			This drawing is dual dimensioned. Dimensions in brackets are in millimeters.	eiSos p/n: 750342864	
6A	7/16	SEE REVISION SHEET FOR REVISION LEVEL				SPECIFICATION SHEET 1 OF 1