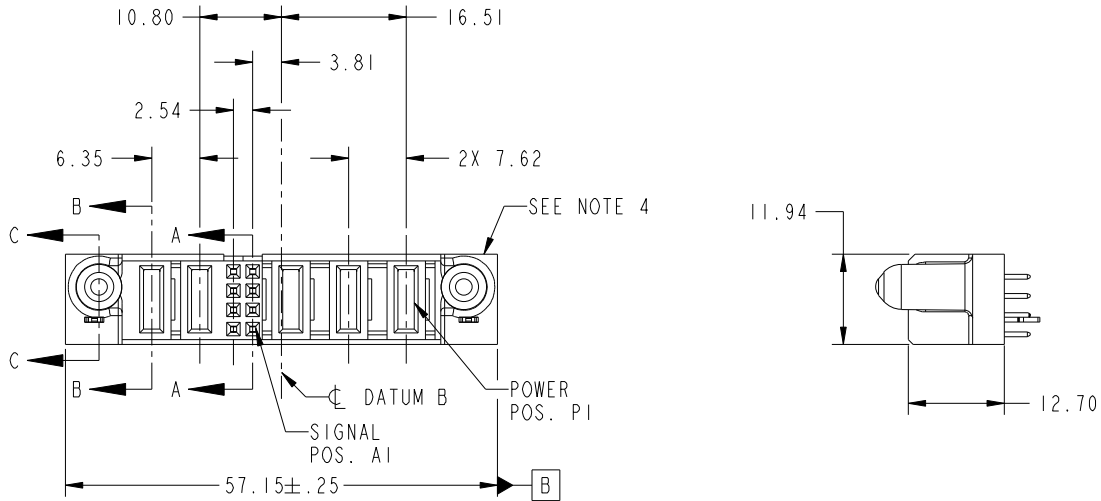


Tous droits strictement reserves. Reproduction ou communication a des tiers interdite sous quelque forme que ce soit sans autorisation ecrite du proprietaire. Propriete de c.FCI. Droits de reproduction FCI.

All rights strictly reserved. Reproduction or issue to third parties in any form whatever is not permitted without written authority from the proprietor. Property of FCI. Copyright FCI.



PRODUCT NO.	ROWS	POWER		SIG	POWER			E1	
		E2	P5	P4	2	1	P3		P2
51940-109-- NOTE: 3	D C B A		PA	PA	EE EE EE EE	PA	PD	PD	



CODE	DIM "M" MATING LENGTH	CONTACT TYPE
E	[N/A]	SIGNAL
PA	[1.07]	POWER
PD	[2.34]	POWER
HA	[N/A]	HOLD-DOWN

mat'l code				R	tolerances unless otherwise specified	CUSTOMER	
lir	ecn no.	dr	date	linear	0.X ± 0.5	COPY	www.fciconnect.com
A	V04-1111	TAB	11/15/04	linear	0.XX ± 0.25	projection	title
B	DG09-0349	JC	12/27/09	angles	0.XXX ± 0.13		3ACP + 8S + 2P VERTICAL SOLDER RECEPT
				angles	0° ± 2°	MM	product family
				dr	T. BRUNGARD 11/15/04	scale	PwrBlade
				enrg	M. GRAY 11/15/04	1:1	code
				chr	M. GRAY 11/15/04		213
				oppd	M. GRAY 11/15/04		sheet
sheet index	revision sheet	B 1	B 2	B 3	B 4		1 of 4

A

B

A

B

1 | 2

Pro/E

PDM: Rev: B

STATUS: Released

Printed: Dec 20, 2010

3 |

4

cage code 2856

4

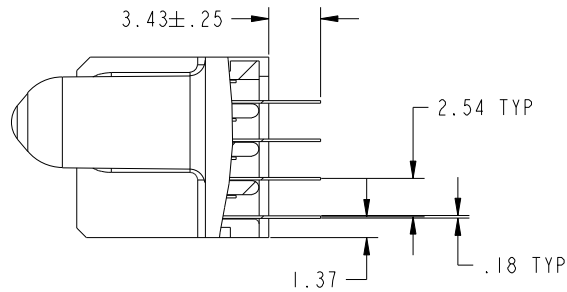
Tous droits strictement reserves. Reproduction ou communication a des tiers interdite sous quelque forme que ce soit sans autorisation ecrite du proprietaire. Propriete de c FCI. Droits de reproduction FCI.

All rights strictly reserved. Reproduction or issue to third parties in any form whatever is not permitted without written authority from the proprietor. Property of FCI. Copyright FCI.

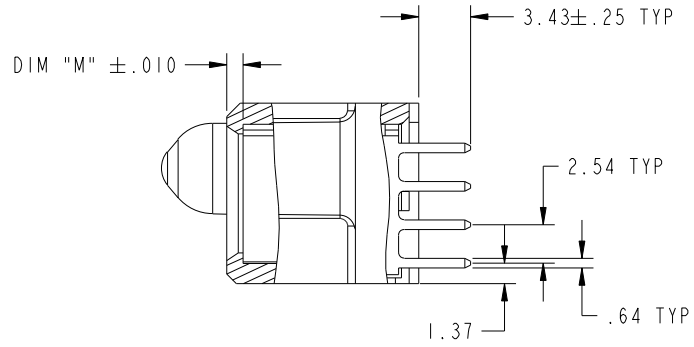


PRODUCT NUMBER

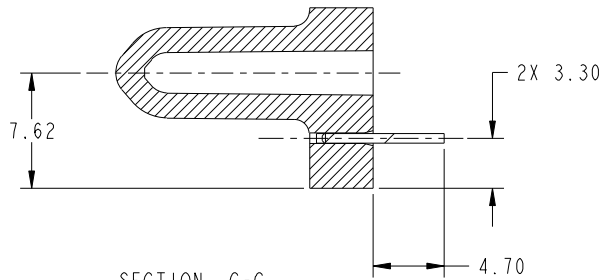
51940-109--
NOTE: 3



SECTION A-A
SCALE 2:1



SECTION B-B
SCALE 2:1



SECTION C-C
SCALE 2:1

mat'l code		SEE NOTE		tolerances unless otherwise specified		CUSTOMER			
lir	ecn no.	dr	date	linear	0.X ± 0.5	COPY		www.fciconnect.com	
B				linear	0.XX ± 0.25	projection		title	
				angles	0.XXX ± 0.13			3ACP + 8S + 2P VERTICAL SOLDER RECEPT	
				dr	0° ± 2°	MM		product family	
				enr	T. BRUNGARD 11/15/04	scale		PwrBlade	
				chr	M. GRAY 11/15/04	1:1		code	
				appd	M. GRAY 11/15/04			213	
sheet index	revision sheet							sheet	
								2	

cage code 22506

Pro/E

PDM: Rev: B

STATUS: **Released**

Printed: Dec 20, 2010

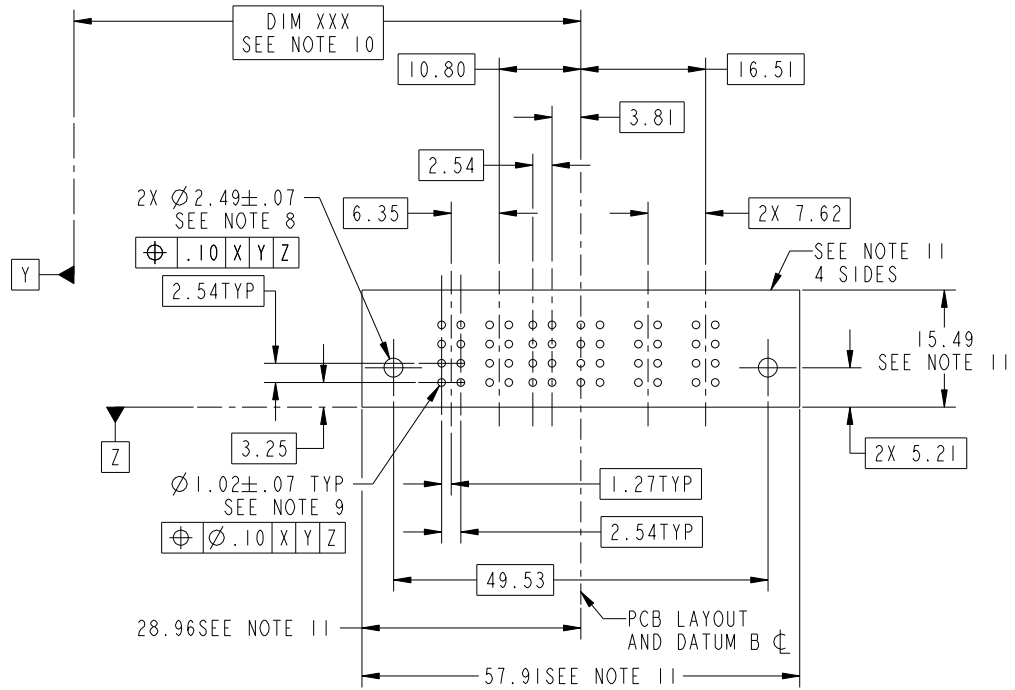
Tous droits strictement reserves. Reproduction ou communication a des tiers interdite sous quelque forme que ce soit sans autorisation ecrite du proprietaire. Propriete de c.FCI. Droits de reproduction FCI.



All rights strictly reserved. Reproduction or issue to third parties in any form whatever is not permitted without written authority from the proprietor. Property of FCI. Copyright FCI.

PRODUCT NUMBER

51940-109--
NOTE: 3



mat'l code		SEE NOTE		tolerances unless otherwise specified		CUSTOMER			
lir	ecn no.	dr	date	linear	0.X ± 0.5	COPY		www.fciconnect.com	
B				linear	0.XX ± 0.25	projection		title	
				angles	0.XXX ± 0.13			3ACP + 8S + 2P VERTICAL SOLDER RECEPT	
				dr	0° ± 2°	MM		product family PwrBlade	
				enrg	T. BRUNGARD 11/15/04	scale		code	
				chr	M. GRAY 11/15/04	1:1		213	
				appd	M. GRAY 11/15/04	A		sheet	
sheet index		revision sheet		size		dwg no		3	
				A		51940-109			

cage code 2856

3

4

1 | 2

1 | 2

Pro/E

PDM: Rev: B

4

Tous droits strictement reserves. Reproduction ou communication a des tiers interdite sous quelque forme que ce soit sans autorisation ecrite du proprietaire. Propriete de c.FCI. Droits de reproduction FCI.

All rights strictly reserved. Reproduction or issue to third parties in any form whatever is not permitted without written authority from the proprietor. Property of FCI. Copyright FCI.



1 | 2

3

4

PRODUCT NUMBER

51940-109--
NOTE: 3

NOTES:

1. DIMENSIONS AND TOLERANCES ARE IN ACCORDANCE WITH ASME Y14.5M, 1994 UNLESS OTHERWISE SPECIFIED.

CONNECTOR NOTES:

- 2 HOUSING MATERIAL: UL 94 V-0 GLASS FILLED
HIGH-TEMP THERMOPLASTIC
POWER CONTACT MATERIAL: COPPER ALLOY
SIGNAL PIN MATERIAL: COPPER ALLOY
- 3. PLATING:
 SEE ITEM 5 & 6 IN PRINT 10064183 FOR PLATING SPEC. OF 51940-109;51940-109LF RESPECTIVELY.
- 4 MANUFACTURER'S NAME, P/N, AND DATE CODE TO APPEAR ON THIS SURFACE.
- 5. PRODUCT SPECIFICATION GS-12-149.
APPLICATION SPECIFICATION BUS-20-067.
- 6. PACKAGED IN TRAYS.

PCB NOTES:

- 7. ALL HOLE DIAMETERS ARE FINISHED HOLE SIZE.
- 8 MOUNTING HOLES, WHERE APPLICABLE, ARE UNPLATED.
- 9 $\varnothing 1.151 \pm 0.025$ DRILLED HOLES PLATED WITH
0.008 MIN SnPb OVER 0.03
TO 0.08 Cu PLATING TO ACHIEVE
 $\varnothing 1.02 \pm .07$ HOLE.
- 10 "DIM XXX" TO BE DETERMINED BY THE CUSTOMER.
- 11 CONNECTOR KEEP-OUT ZONE.

12. A SYMBOL WILL BE NEXT TO ANY DIMENSION, VIEW, OR NOTE WHICH HAS BEEN MODIFIED WITH THE CURRENT DRAWING REVISION

mat'l code		SEE NOTE		tolerances unless otherwise specified		CUSTOMER				www.fciconnect.com	
lir	ecn no.	dr	date	linear	0.X ±0.5	COPY		projection		title	
B					0.XX ±0.25					3ACP + 8S + 2P VERTICAL SOLDER RECEPT	
				angles	0.XXX ±0.13					product family	
				dr	0° ±2°			MM		PwrBlade	
				enr	T. BRUNGARD 11/15/04			scale		code	
				chr	M. GRAY 11/15/04			1:1		213	
				appd	M. GRAY 11/15/04			A		sheet	
								51940-109		4	
sheet index	revision sheet										

A

A

B

B

1 | 2

Pro/E

PDM: Rev:B

STATUS: Released

Printed: Dec 20, 2010

cage code 28516