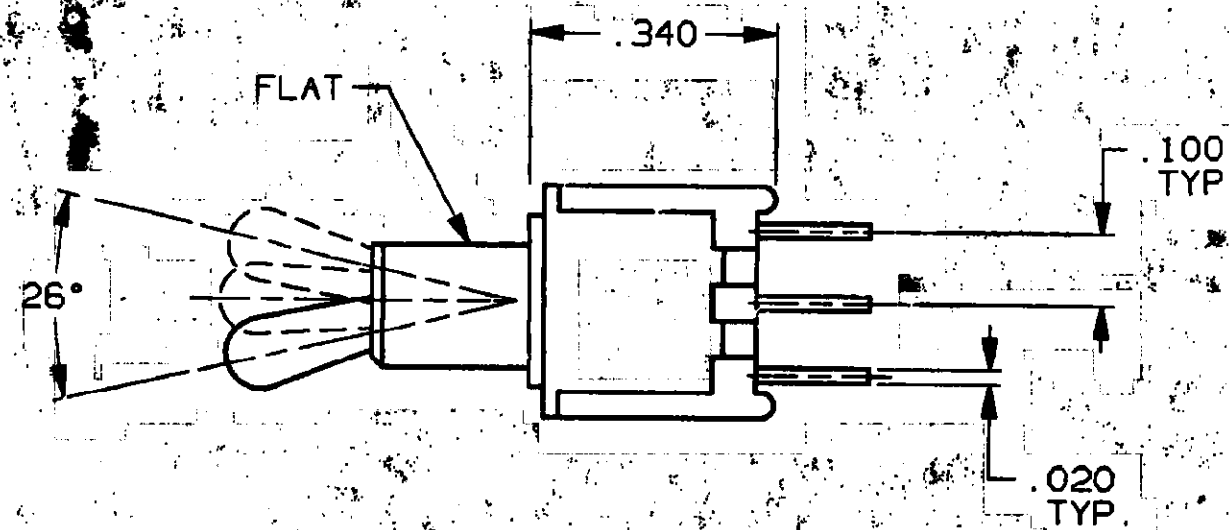


CONVERSION CHART	
INCH	MM
.002	0.05
.010	0.25
.020	0.51
.030	0.76
.043	1.09
.098	2.49
.100	2.54
.130	3.30
.172	4.37
.187	4.75
.206	5.23
.210	5.33
.216	5.49
.236	5.99
.320	8.13
.360	9.14



**SPECIFICATIONS:**

**MATERIALS:**

CASE: HIGH TEMPERATURE POLYESTER  
 FRAME: TIN PLATE OVER STEEL  
 ACTUATOR: NICKEL PLATE OVER COPPER ALLOY  
 MOVABLE CONTACT: GOLD OVER NICKEL OVER COPPER ALLOY  
 STATIONARY CONTACT: GOLD OVER NICKEL OVER COPPER ALLOY  
 TERMINALS: TIN LEAD PLATE OVER COPPER ALLOY  
 TERMINAL SEAL: EPOXY

**ELECTRICAL:**

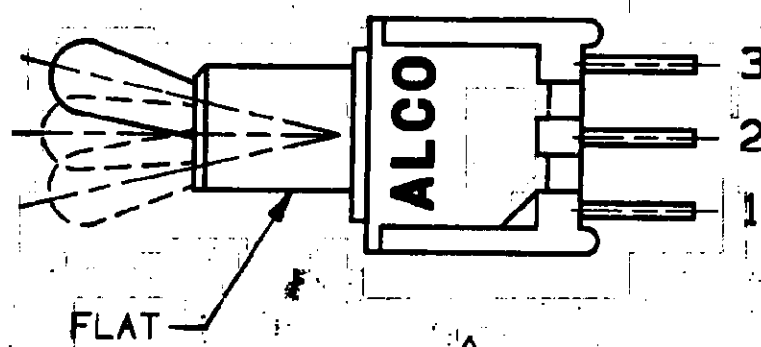
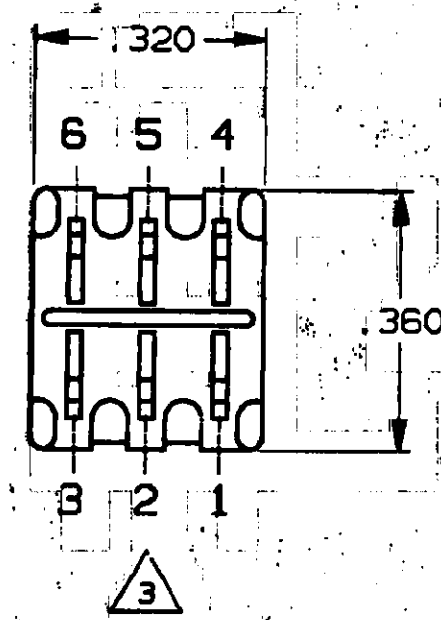
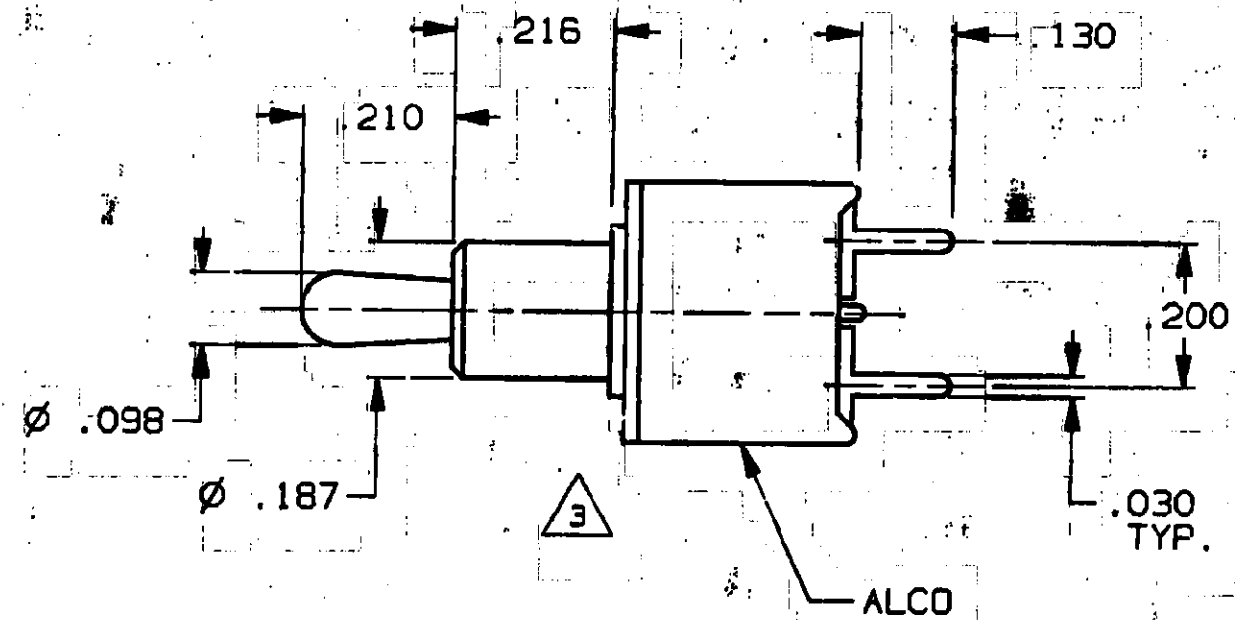
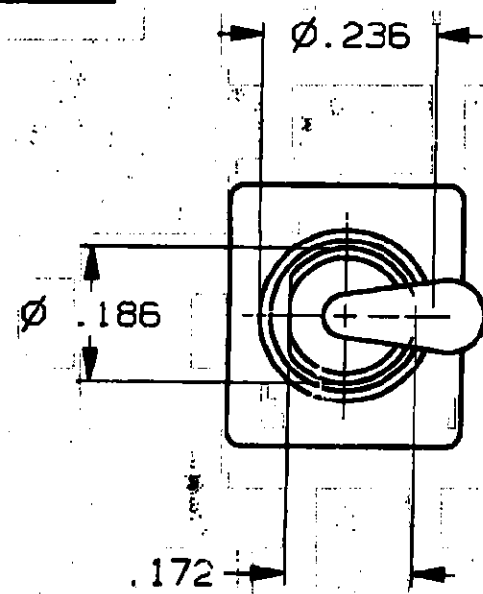
CONTACT RATING: 0.4 VA @ 20 VDC OR PEAK AC  
 INITIAL CONTACT RESISTANCE: 20 MILLIOHMS MAX.  
 INSULATION RESISTANCE: 1,000 MEGOHMS AT 500 VDC MIN.  
 DIELECTRIC STRENGTH: 1,000 VOLTS RMS AT SEA LEVEL  
 LIFE EXPECTANCY: 60,000 CYCLES MINIMUM.

**ENVIRONMENTAL:**

OPERATING TEMPERATURE: +22°F TO +185°F (-30°C TO +85°C)  
 STORAGE TEMPERATURE: -67°F TO +185°F (-55°C TO +85°C)

**NOTES: UNLESS OTHERWISE SPECIFIED**

1. INTERPRET DRAWING PER ASME Y14.5M-1994.



**RECOMMENDED HOLE LAYOUT**

TOLERANCE ±.002 UNLESS OTHERWISE NOTED

TERMINALS CONNECTED WHEN TOGGLE IN POSITIONS SHOWN			
SWITCH ACTION CODE (*)	FLAT	FLAT	FLAT
	6 5 4 3 2 1	6 5 4 3 2 1	6 5 4 3 2 1
K	OFF	NONE	3 TO 1 6 TO 4
N	2 TO 3 5 TO 6	NONE	2 TO 1 5 TO 4
P	2 TO 3 5 TO 6	OFF	2 TO 1 5 TO 4
R	2 TO 3 (MOM) 5 TO 6 (MOM)	NONE	2 TO 1 5 TO 4
PA	2 TO 3 5 TO 6	2 TO 1 5 TO 6	2 TO 1 5 TO 4

NOTE: DESIGNATION NUMBERS ARE FOR REFERENCE ONLY, AND DO NOT APPEAR ON THE SWITCHES.

AUGAT D/N 40005

SPECIFICATIONS ARE SUBJECT TO CHANGES WITHOUT NOTICE

<p>TOLERANCES (EXCEPT AS NOTED)          ANGULAR = ±1°          DECIMAL .XX = ±.010          DECIMAL .XXX = ±.010</p>	UNLESS OTHERWISE SPECIFIED DIMENSIONS ARE IN INCHES DO NOT SCALE PRINT	ORIGINAL DATE OF DRAWING: 12-13-79 DRAWN: RM DATE: 12-13-79	<p>TITLE: CUSTOMER DRAWING          SUBMINIATURE TOGGLE SWITCH          DOUBLE POLE - F.          (TT21(*)G-PC-1)</p>
	MATERIAL: SEE SPECIFICATIONS	CHECKED: BB DATE: 2-22-80 APPROVED: KJ DATE: 2-22-80	
FINISH: SEE SPECIFICATIONS	CODE IDENT. NO. 91506	DWG. SIZE C	PRODUCT CODE: ASI SCALE: SHEET 1 OF 1

REV B  
 REVISIONS  
 0G3C-0194-05  
 MZ 27MAR07