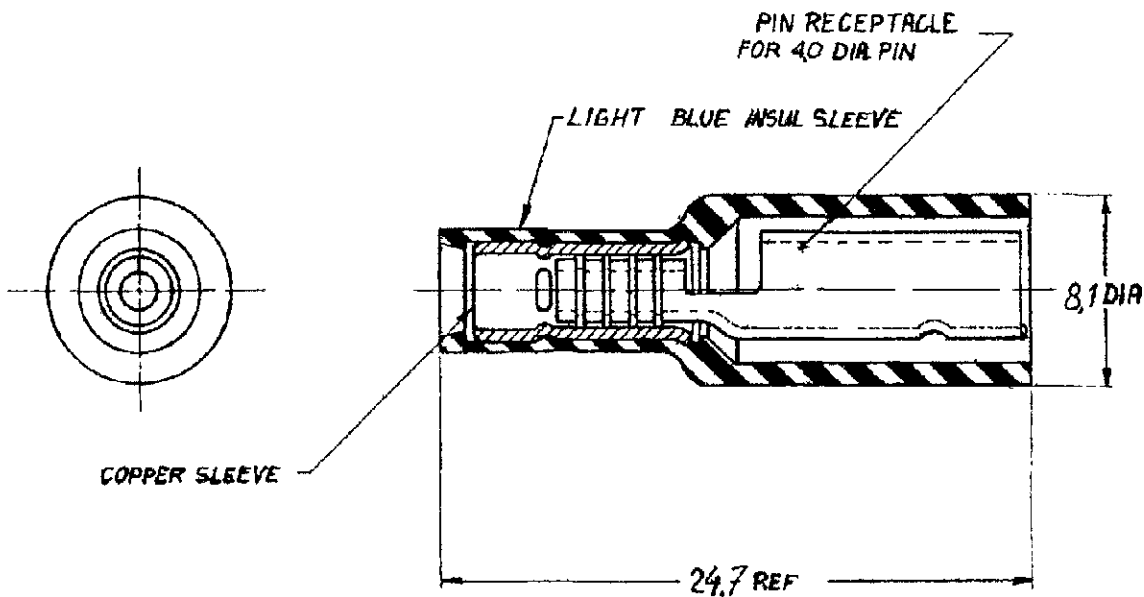


NUMBER C-165429 -E

DRAWING MADE IN AMERICAN PROJECTION

NOTE: TO BE USED WITH THE SUPERCHAMP HANDTOOL ONLY.



**CUSTOMER COPY FOR REFERENCE ONLY**

©1970 BY AMP-HOLLAND N.V. ALL RIGHTS RESERVED. AMP PRODUCTS COVERED BY PATENTS AND/OR PATENTS PENDING.



AMP-HOLLAND N.V.  
HERTOGENBOSCH  
HOLLAND

165429-1	TUBING NYLON	COLOR LIGHT BLUE
	SLEEVE COPPER	TIN
	PIN REC. BRASS	TIN
ORDER NO	MATERIAL	PLATING
DR [Signature] 12/70	DATE	DATE
CHK [Signature] 30/1/70	DATE	DATE

WIRE RANGE 10-2.6 mm <sup>2</sup>	INSUL RANGE MAX 4 mm DIA	FIRST USED "
SCALE 4:1	LOC H	SIZE A
NO C-165429-E		REV E

NAME SHUR PLUG RECEPTACLE fully insulated

DIMENSIONS IN MM DO NOT SCALE PRINT