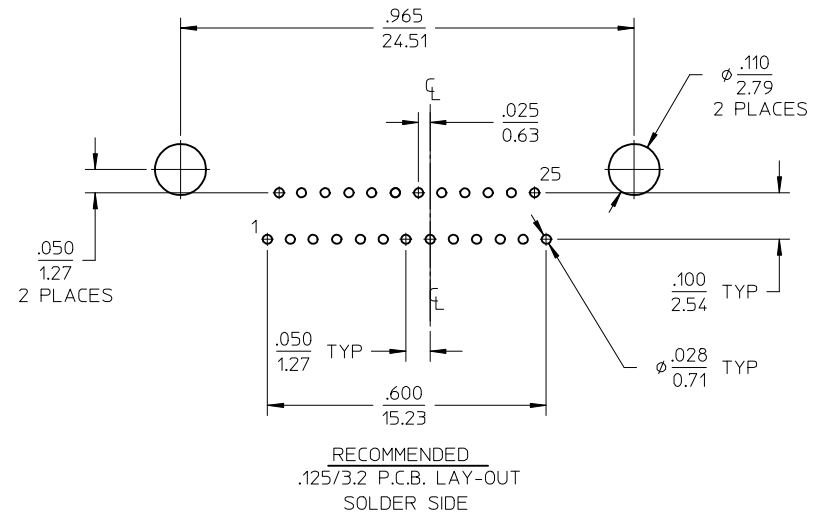
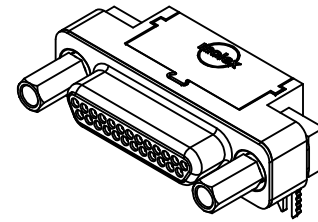
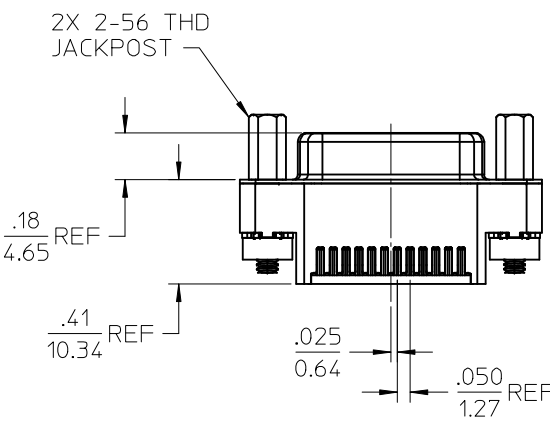
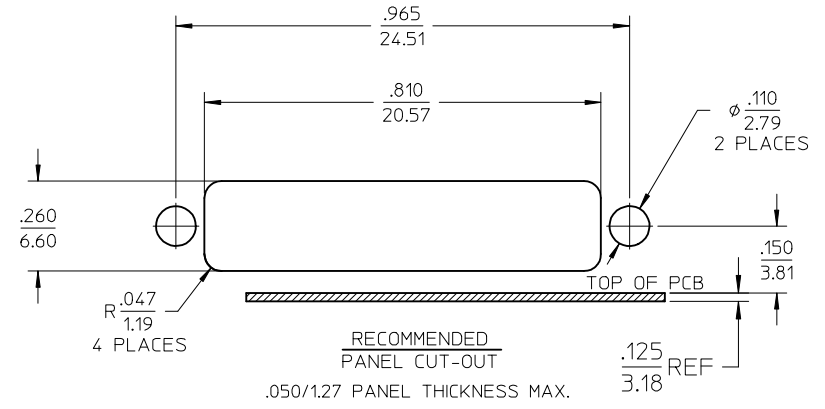
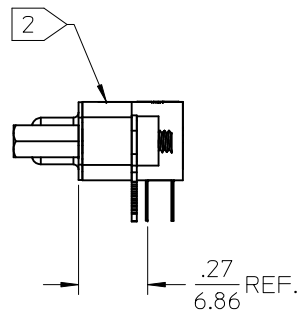
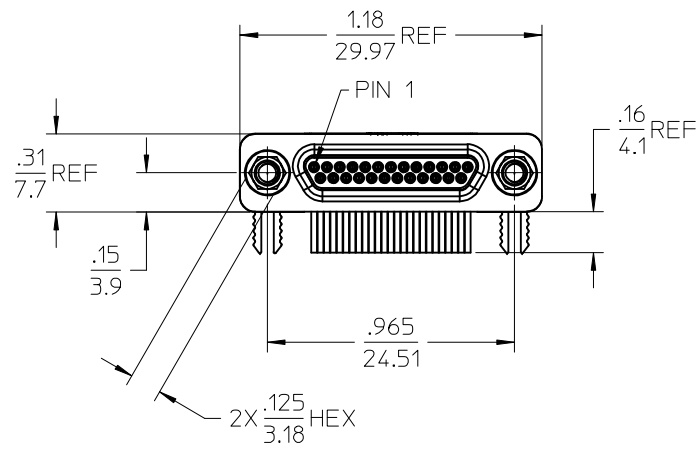


MATERIAL NO.	ENG. NO.
836149203	83614-9203



SALES DRAWING

- 5. MATES WITH MOLEX SERIES 83424 CONNECTORS
 - 4. .050/1.27 RECOMMENDED PANEL THICKNESS
 - 3. ROHS COMPLIANT
 - 2. DATE CODE LOCATION
 - 1. REFER TO PS-83421-9000 FOR PRODUCT SPECIFICATION.
- NOTES: UNLESS OTHERWISE SPECIFIED.

REL FOR PROD. EC NO: WNA2010-0183 DRWN: BRUPERT 2009/09/16 CHKD: BRUPERT 2009/10/23 APPR: JFMURPHY 2009/10/26	QUALITY SYMBOLS	GENERAL TOLERANCES (UNLESS SPECIFIED)	DIMENSION STYLE	SCALE	DESIGN UNITS	THIRD ANGLE PROJECTION	
	▽=0 ∇=0	mm INCH	IN/MM	2:1	INCH		
		4 PLACES ± --- ± --- 3 PLACES ± --- ± .005 2 PLACES ± 0.13 ± --- 1 PLACE ± --- ± ---	DRAWN BY DATE BRUPERT 08/04/09	TITLE	COMM-D,PLG,RT ANG SIZE 25,REM,JKPOST .110 THK PCB		
		ANGULAR ± 1/2°	CHECKED BY DATE JFMURPHY 08/04/09	APPROVED BY DATE JFMURPHY 2009/10/23	MOLEX MOLEX INCORPORATED		
	DRAFT WHERE APPLICABLE MUST REMAIN WITHIN DIMENSIONS	MATERIAL NO.	SIZE	DOCUMENT NO.	SHEET NO.		
A			A3	SEE CHART	SD-83614-9203	1 OF 1	
		THIS DRAWING CONTAINS INFORMATION THAT IS PROPRIETARY TO MOLEX INCORPORATED AND SHOULD NOT BE USED WITHOUT WRITTEN PERMISSION					