

THIS DRAWING IS UNPUBLISHED. RELEASED FOR PUBLICATION
 © COPYRIGHT - By - ALL RIGHTS RESERVED.

LOC	DIST	REVISIONS				
P	LTR	DESCRIPTION	DATE	DWN	APVD	
AF	50	R4	REVISED PER ECO-11-022919	11/11/11	JR PD	

D

D

C

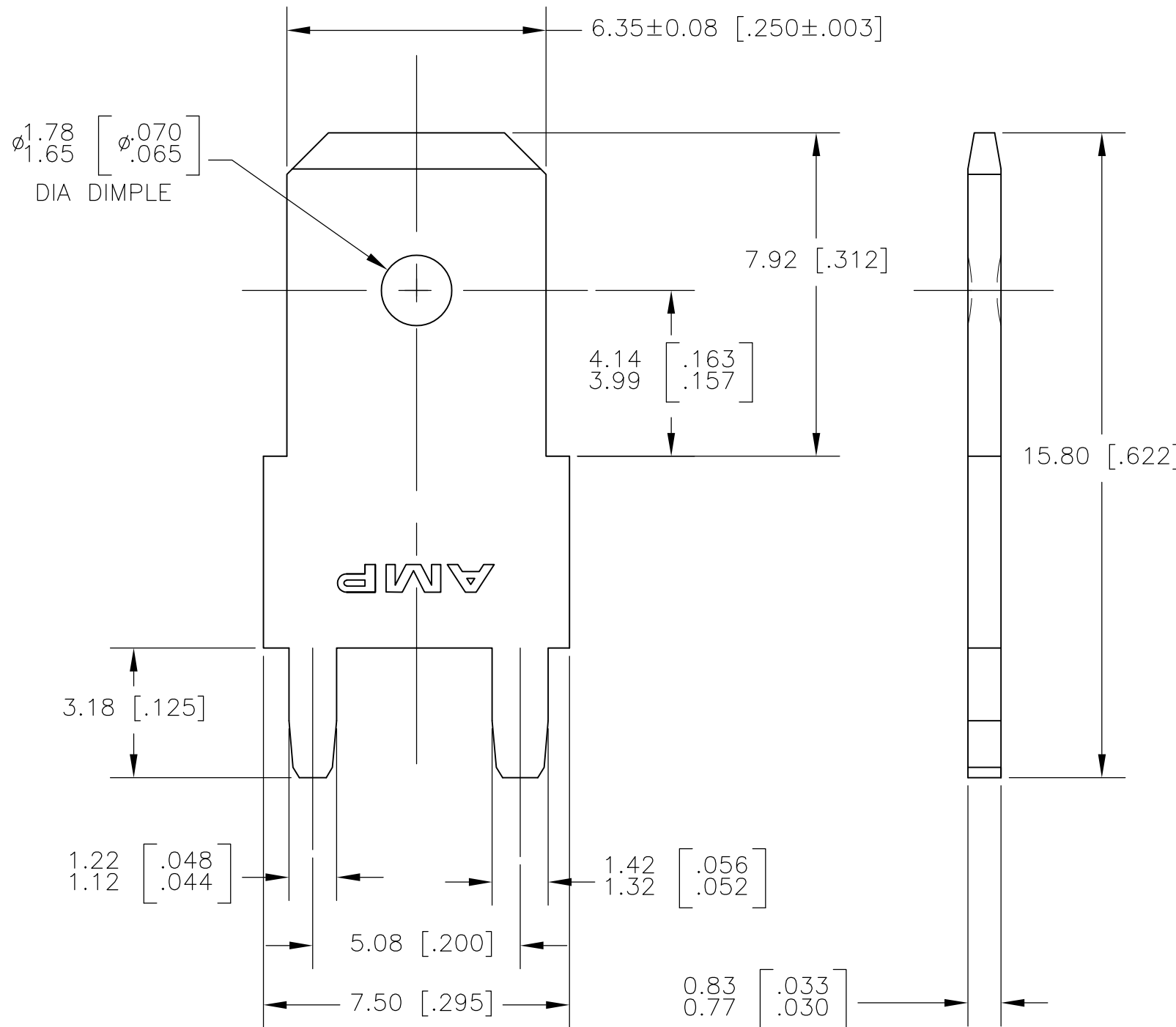
C

B

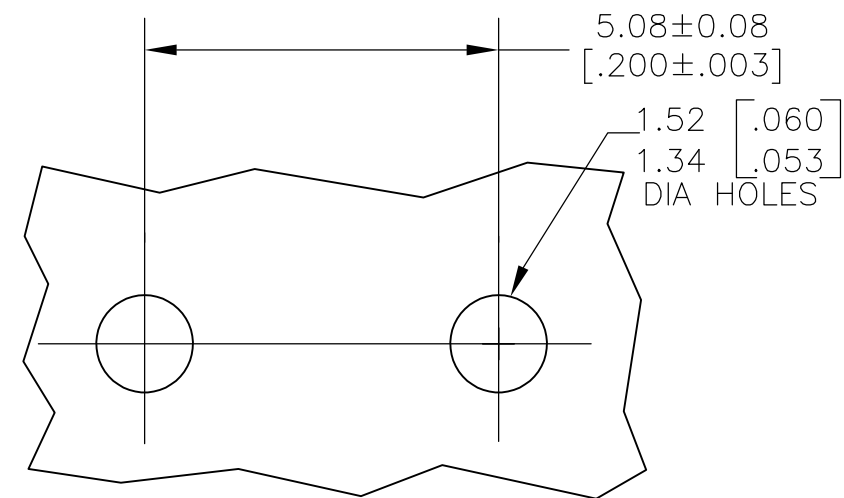
B

A

A



- 1 SUPPLIED IN LOOSE PIECE.
- 2 0.00381 [0.000150] MIN TIN OVER
0.00254 [0.000100] MIN THK COPPER.
- 3 0.00381 [0.000150] MIN SILVER OVER
0.00254 [0.000100] MIN THK COPPER.
- 4 SPECIAL PACKAGING QUANTITY
- 5 PRELIMINARY - NOT FOR PRODUCTION
- 6 0.00038 [0.000015] MIN GOLD OVER
0.00127 [0.000050] MIN NICKEL.



P.C. BOARD HOLES
SCALE 10:1

FINISH	PART NUMBER
2	9-62409-1
6	62409-4
3	62409-3
2	62409-1

THIS DRAWING IS A CONTROLLED DOCUMENT.		DWN JR RUTH 30NOV00																
DIMENSIONS: mm(INCHES)		CHK MS FEHER 30NOV00																
TOLERANCES UNLESS OTHERWISE SPECIFIED:		APVD G PORTA 30NOV00	NAME TAB, FASTON, PC BOARD, 6.35 [0.250] SERIES															
<table border="0"> <tr><td>0 PLC</td><td>± -</td></tr> <tr><td>1 PLC</td><td>± -</td></tr> <tr><td>2 PLC</td><td>± 0.38 [0.015]</td></tr> <tr><td>3 PLC</td><td>± -</td></tr> <tr><td>4 PLC</td><td>± -</td></tr> <tr><td>ANGLES</td><td>± -</td></tr> </table>		0 PLC	± -	1 PLC	± -	2 PLC	± 0.38 [0.015]	3 PLC	± -	4 PLC	± -	ANGLES	± -	PRODUCT SPEC -	SIZE A3	CAGE CODE 00779	DRAWING NO C-62409	RESTRICTED TO -
0 PLC	± -																	
1 PLC	± -																	
2 PLC	± 0.38 [0.015]																	
3 PLC	± -																	
4 PLC	± -																	
ANGLES	± -																	
MATERIAL 082 BRASS	FINISH SEE TABLE	WEIGHT -	CUSTOMER DRAWING		SCALE 8:1	SHEET 1 OF 1	REV R4											