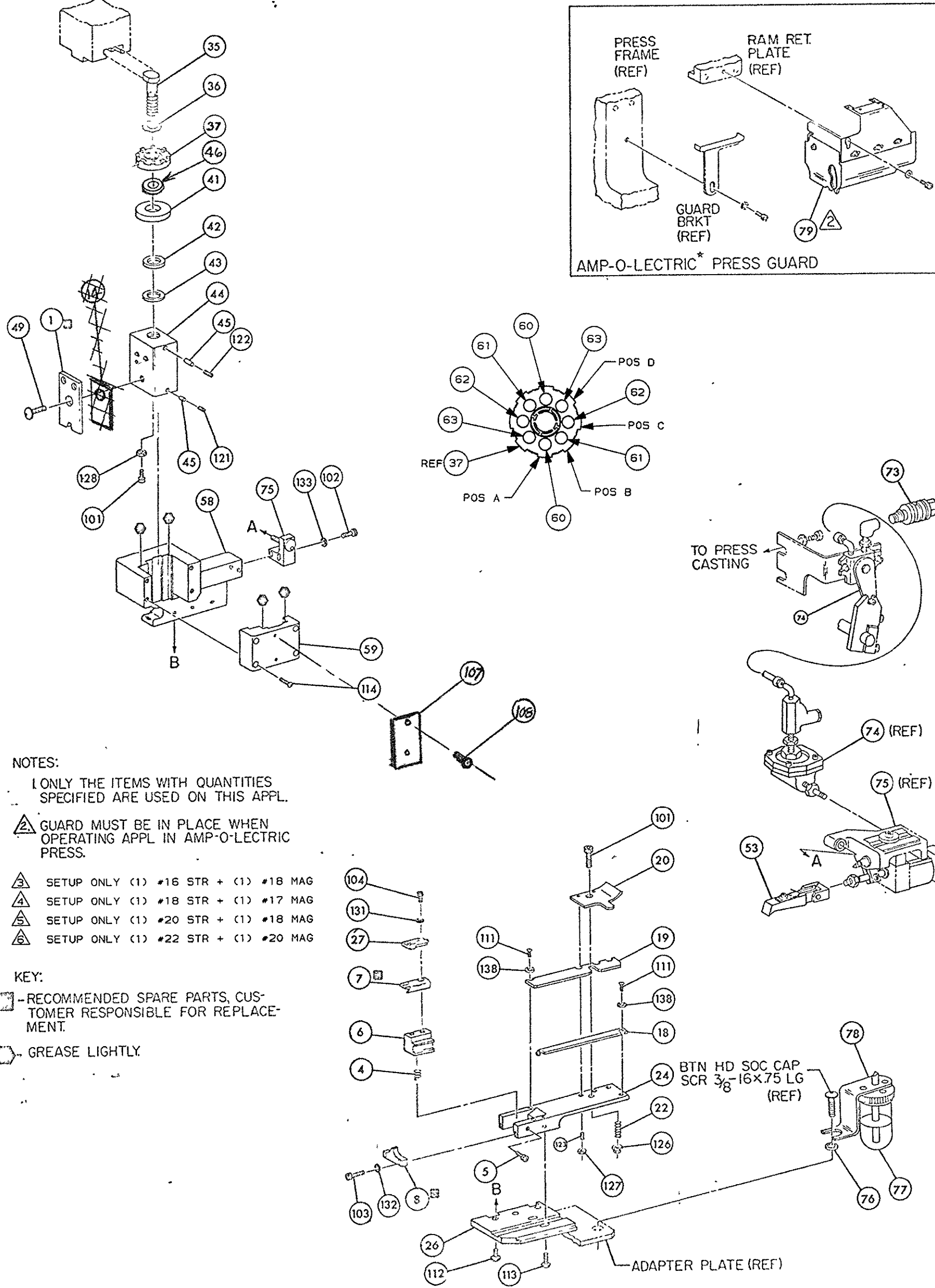


THIS IS A CONTROLLED DOCUMENT.



- NOTES:**
- 1 ONLY THE ITEMS WITH QUANTITIES SPECIFIED ARE USED ON THIS APPL.
 - ▲ GUARD MUST BE IN PLACE WHEN OPERATING APPL IN AMP-O-LECTRIC PRESS.
 - ▲ SETUP ONLY (1) #18 STR + (1) #18 MAG
 - ▲ SETUP ONLY (1) #18 STR + (1) #17 MAG
 - ▲ SETUP ONLY (1) #20 STR + (1) #18 MAG
 - ▲ SETUP ONLY (1) #22 STR + (1) #20 MAG

KEY:

- ☐ - RECOMMENDED SPARE PARTS, CUSTOMER RESPONSIBLE FOR REPLACEMENT.
- - GREASE LIGHTLY.

QTY	PART NO	DESCRIPTION	ITEM NO	
145	1	458408-1	CAP. RAM	59
144	1	458414-1	HOUSING	58
143				57
142				56
141				55
140				54
139	1	460680-1	FEED FINGER ASSY	53
138				52
137				51
136				50
135	1	7-21002-9	BOLT, CRIMPER	49
134				48
133				47
2	21024-5	WASHER, LOCK (NO 10) AIR FEED ASSY		46
2	21024-4	WASHER, LOCK (NO 8) ANVIL	986950-1	45
2	21024-3	WASHER, LOCK (NO 6) STRIPPER & SHEAR	690191-1	45
			458413-1	44
			690125-1	43
1	21019-1	NUT, HEX MACH (#4-20) RAM	690124-1	42
2	21018-6	NUT, HEX MACH (8-32) DRAG ADJ SCREWS	690223-1	41
1	21022-4	NUT, HEX SELF-LKG (1/4-20) DRAG STUD	23241-6	40
			690170-1	39
				38
2	5-21061-5	SCR, SKT SET CONE POINT (8-32 X .88) DRAG	354777-1	37
1	21009-2	SCR, SKT SET (1/4-20 X 25) (LOC-WEL) RAM	22480-5	36
1	5-21008-4	SCR, SKT SET (10-32 X .50) (LOC-WEL) RAM	690212-1	35
				34
				33
				32
				31
				30
				29
				28
4	2-21002-9	SCR, BTN HD SKT CAP (10-32 X .75) HSG CAP		27
2	3-21002-3	SCR, BTN HD SKT CAP (1/4-20 X .50) STR GDE PL	458405-1	27
3	2-22733-9	SCR, BTN HD SKT CAP (1/4-20 X .75) BASE PL	458411-1	26
4	1-21002-6	SCR, BTN HD SKT CAP (6-32 X .25) STRIP GUIDES		25
			458412-1	24
				23
2	21017-2	SCR, DRIVE (#2 X .19) I.D. PLATE	3-22283-0	22
1	464249-1	PLATE, IDENTIFICATION		21
			458403-1	20
1	23030-1	SCR, SKT HD CAP (6-32 X .28) (LOC-WEL) C.P. DISC	458406-2	19
2	2-21000-0	SCR, SKT HD CAP (6-32 X .50) STRIPPER & SHEAR	458404-2	18
2	2-21000-7	SCR, SKT HD CAP (8-32 X .50) ANVIL		17
2	3-21000-9	SCR, SKT HD CAP (10-32 X 1.00) AIR FEED ASSY		16
2	21001-7	SCR, SKT HD CAP (1/4-20 X 1.25) DRAG & RAM		15
1	463924-1	GUARD ASSY ASSY.	4-45508-8	14
	465184-9	LUBRICATOR ASSY		13
	455985-1	OIL, LUBRICATING		12
	454406-1	SPACER, LUB BRACKET		11
1	460277-1	AIR FEED ASSY		10
1	692655-1	AIR FEED VALVE ASSY-692655-5		9
1	24042-2	VALVE, SHUT-OFF	462320-3	8
1	690603-1	SPRING, ASSIST	458410-6	7
			458409-5	6
			690461-4	5
			6-22282-8	4
				3
				2
			456408-4	1

QTY	PART NO	DESCRIPTION	ITEM NO
2	354779-8	PIN, WIRE DISC (.3030) D	64
2	9-354778-3	PIN, WIRE DISC (.2960) C	62
2	8-354778-3	PIN, WIRE DISC (.2910) B	61
2	7-354778-5	PIN, WIRE DISC (.2870) A	60

REMARKS:	NO	REV
	TO APPLY TERMINAL	
	SPEC 114-2009	
APPL USED ON	MACH SERIAL NO	DISTRIBUTION
MACHINE PART NO	APPL SERIAL NO	ORIGINAL
CUSTOMER NAME	PURCHASE ORDR	CUSTOMER COPY
ADDRESS	ENG APP	FIELD ENG COPY
CITY		

CRIMPING DATA				APPLICATOR WILL APPLY	
PAD LTR	CRIMP HEIGHT	WIRE SIZE	WIRE STRIP LENGTH		
A	.080	4000-5000A		41765	
B	.076	3200-4000A		41899	
C	.071	2200-3200A		42083	
D	.066	1400-2200A		42119	
CRIMP	SIZE	TYPE	FEED	APPL INST	
WIRE	.110	F			
INSUL	#	#	.270	8039	
WIRE RANGE	1500-3000 CMA	INSULATION RANGE		PRESS NO	565435-5

(REF) I.D. PLATE 464249-1

EI	RCR-06-001473	M/42-0	SET UP PAGE	10-1	989
E	ECN 0150-0477-01	M/42-0	DR 11-9-77	APP 11/11	
D	ECN 0150-3379-93	M/42-0	DR 11-9-77	APP 11/11	
C	0150-7076-06	M/42-0	DR 11-9-77	APP 11/11	
B	0150-6655-46	M/42-0	DR 11-9-77	APP 11/11	
A	ECN 1761988	M/42-0	DR 11-9-77	APP 11/11	

LOC A C 466716-1

NAME MINIATURE QUICK CHANGE APPLICATOR END FEED (THRU SPLICE)

REV	DATE	BY	APP	DESCRIPTION

466716-1