

4

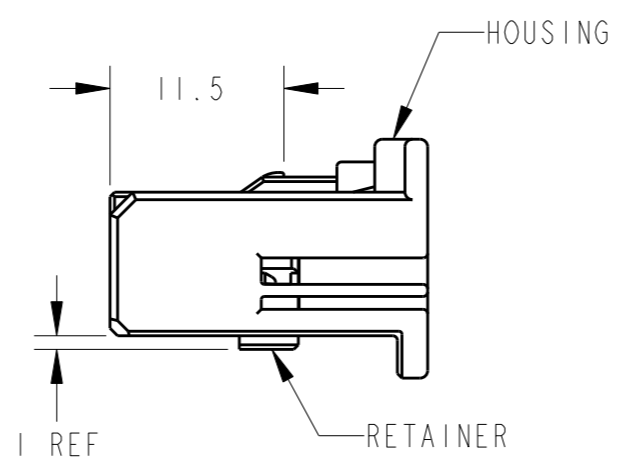
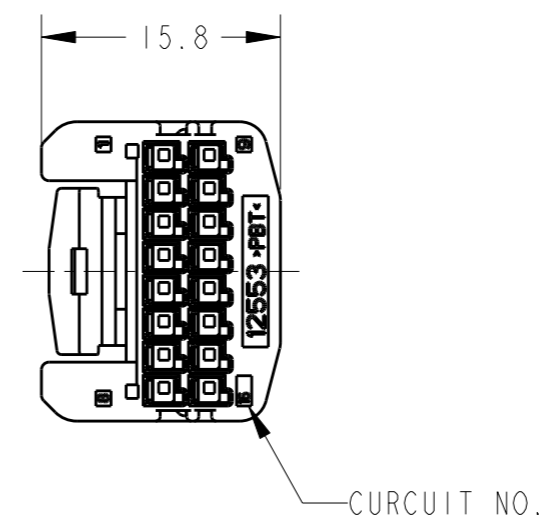
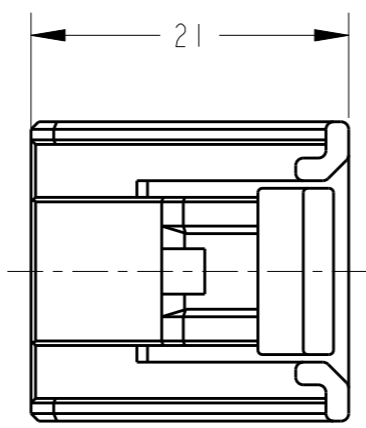
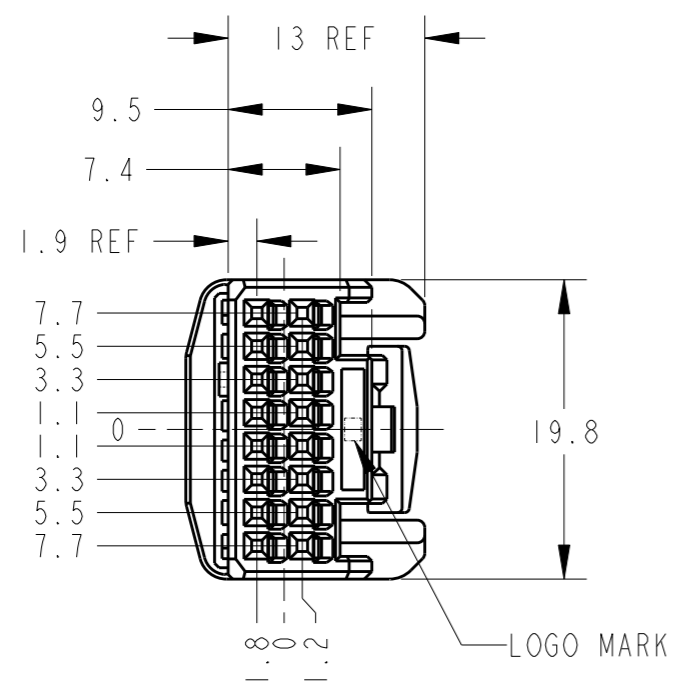
3

2

1

THIS DRAWING IS UNPUBLISHED. RELEASED FOR PUBLICATION 2004
 © COPYRIGHT 2004 ALL RIGHTS RESERVED.

LOC	DIST	REVISIONS							
		P	LTR	DESCRIPTION	ECN	DATE	DWN	APVD	
J	-		0	作成	RELEASED	FJA0-0067-04	26JAN04	SA	KA
			01	ADD	-2	ECR-05-011611	22SEP05	AY	HY
			A	REVISED		ECR-10-007503	21APR10	TS	KB
			A1	REVISED		ECR-15-004383	23MAR2015	TS	KB



- 1.RETAINER SHOULD BE SENT TO THE PRE-ASSEMBLY.
- 2.INSTRACTION SHEET NO.411-78080.
- 3.PART NUMBER OF CAP HOUSING TO BE MATED : SEE TABLE-1
- 4.APPLIED TERMINALS : SEE TABLE-2

- 1.プラグハウジングにリテーナを仮係止して出荷される
- 2.取扱説明書NO.411-78080
- 3.嵌合相手型番 : TABLE-1参照
- 4.適用端子 : TABLE-2参照

TABLE - 1

POS 極数	CAP ASSEMBLY PART NO. キャップ 型番	
16	W-W	1376106
	W-B	1473796
	W-B	1318382

PACKING STYLE 梱包形態	COLOR	PART NUMBER
PAPER BOX ダンボール	BLACK	1717109-2 ⁽⁰¹⁾
PLASTIC BAG ビニール袋	NATURAL	1717109-1
OUTER 外装	INNER 内装	

TABLE - 2

	TERMINAL NO. 端子型番	APPLICABLE WIRE RANGE 適用電線
SIGNAL 0.64111	TIN 1674311-1	AVSS/CAVS/CAVUS/AVSSH-f
	SELECTIVE GOLD 1674311-2	0.3~0.5mm ²

THIS DRAWING IS A CONTROLLED DOCUMENT.		DWN S. AMEMIYA 26JAN04	TE Connectivity	
DIMENSIONS: 単位: 耗 mm		CHK H. YAMAGAMI 26JAN04		
TOLERANCES UNLESS OTHERWISE SPECIFIED: 一般公差 ±0.3		APVD K. ASAI 26JAN04	NAME 名称 0.64111 16P PLUG HSG ASSEMBLY	
		PRODUCT SPEC 製品規格 108-5931	SIZE A3	
MATERIAL 材料 PBT		APPLICATION SPEC 取付適用規格 114-5329	CAGE CODE	DRAWING NO 番号 C-1717109
FINISH 仕上 SEE TABLE		WEIGHT 2.76 g	RESTRICTED TO	
		CUSTOMER DRAWING	SCALE 尺度 2:1	SHEET OF 1
			REV A1	