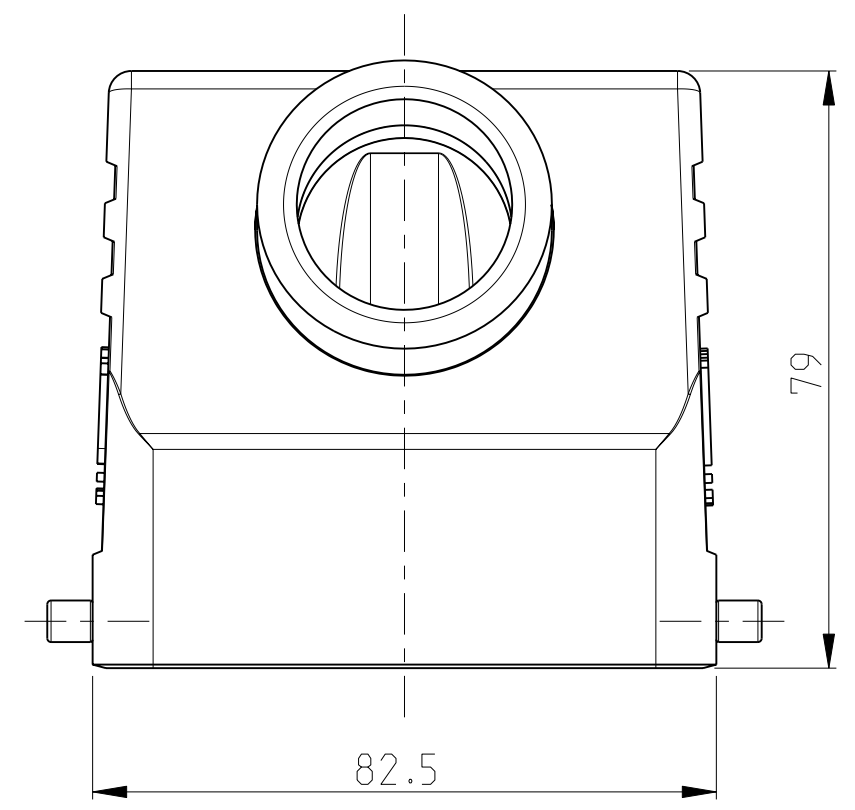
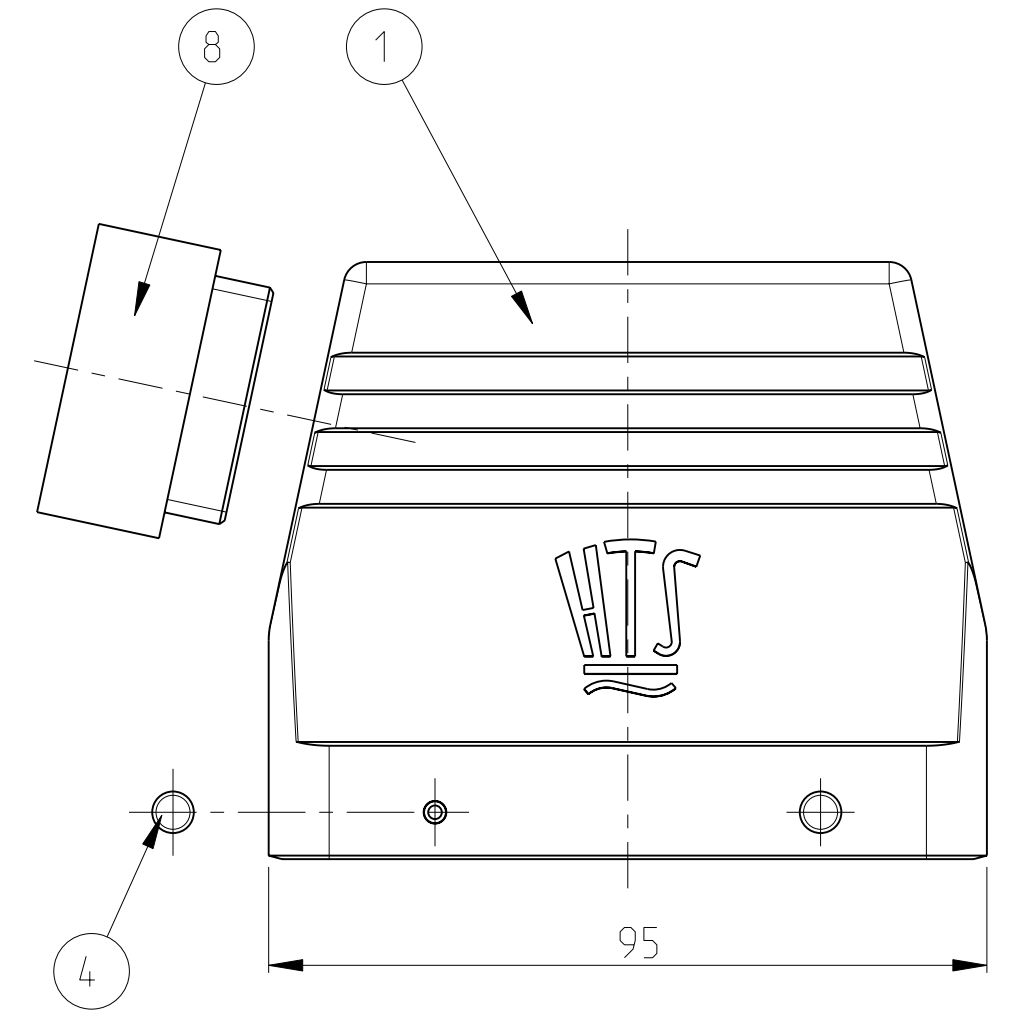
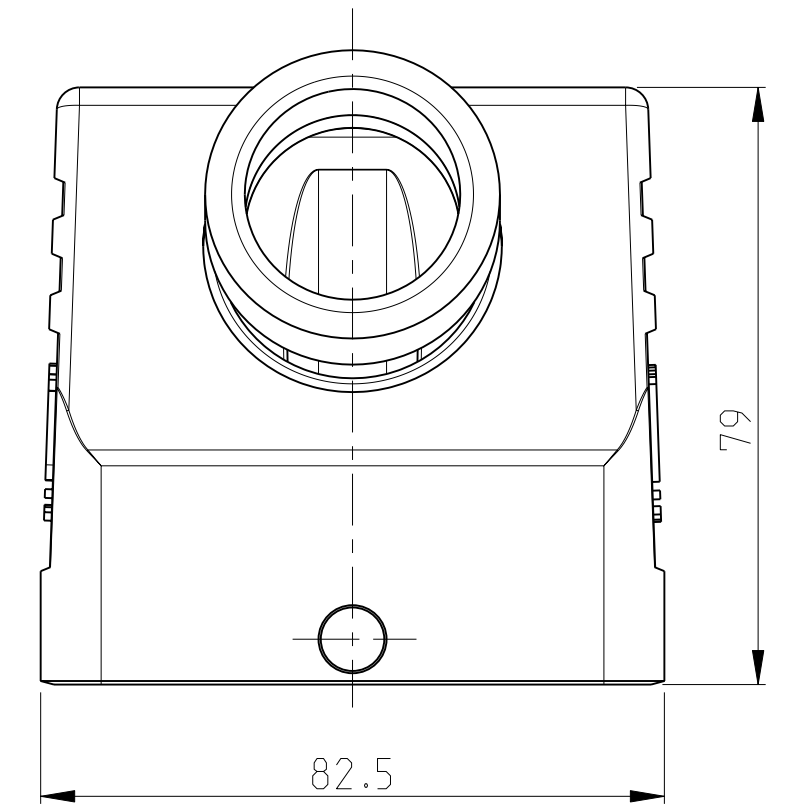
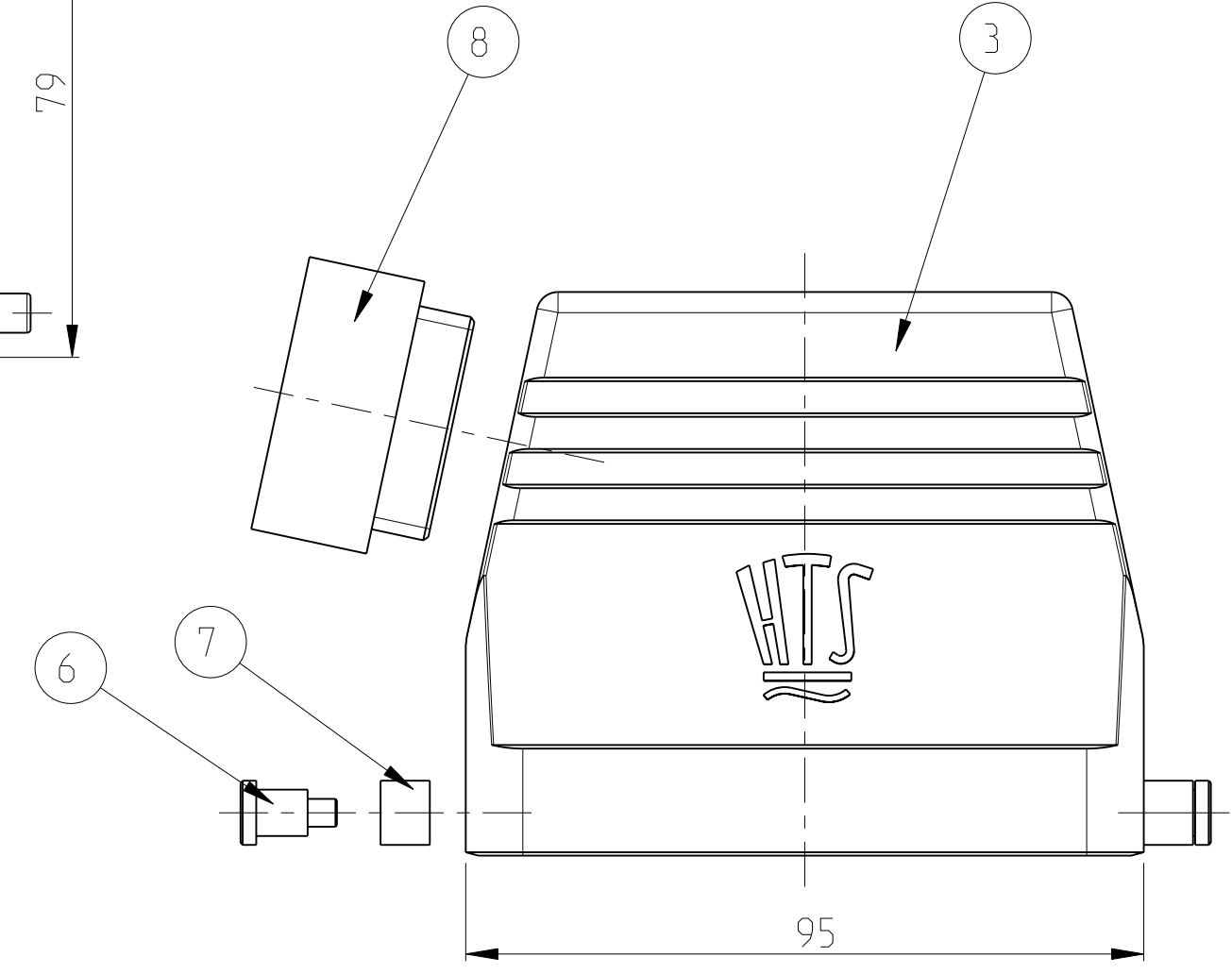
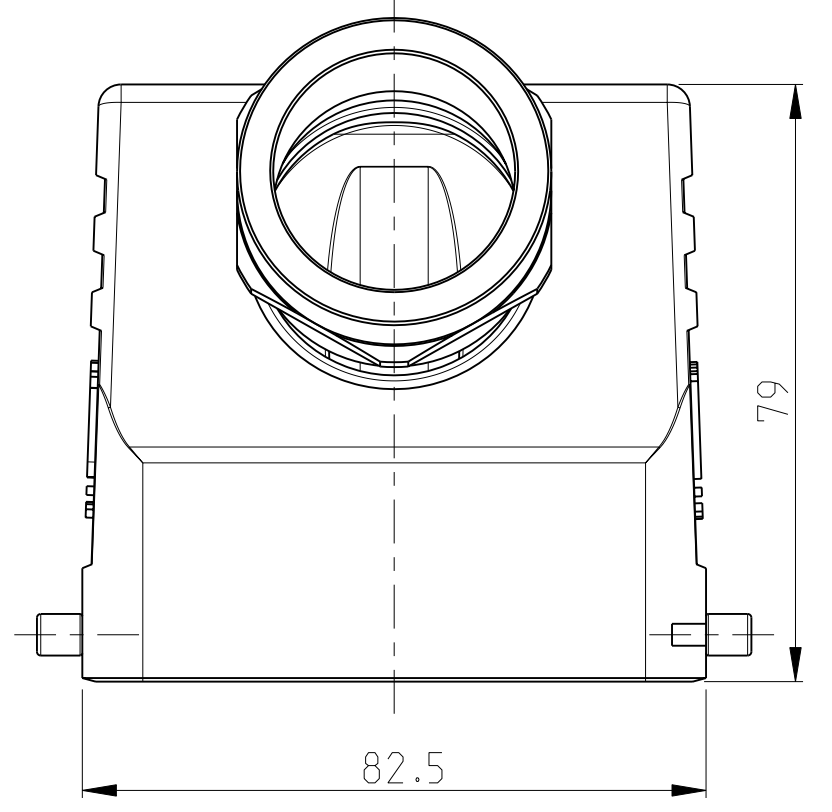
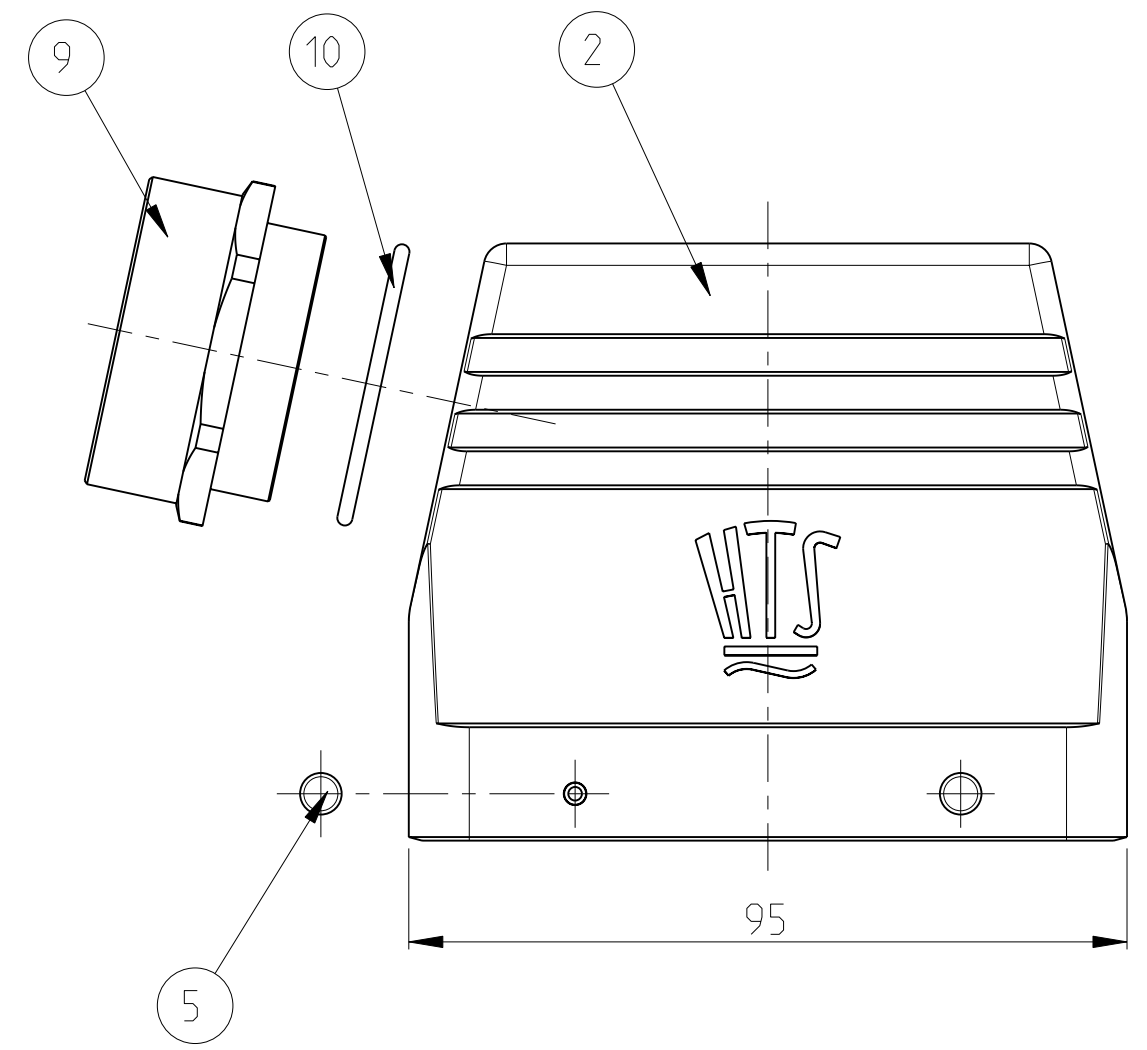


THIS DRAWING IS UNPUBLISHED. RELEASED FOR PUBLICATION 2006
 © COPYRIGHT 2006 BY TYCO ELECTRONICS CORPORATION. ALL RIGHTS RESERVED.

LOC	DIST	REVISIONS			
P	LTR	DESCRIPTION	DATE	DWN	APVD
A	1	ECR-09-013545	12MAY2009	SR	AR



NOTES

- PART SHALL BE FREE AND CLEAN OF BURRS AND OTHER FOREIGN MATERIAL
- PACKAGING: QUANTITY 3 PIECES
- VARNISHING INSIDE HOUSING NOT REQUIRED

QTY	DESCRIPTION	MATERIAL	SURFACE	COLORE	ITEM	NOTES
1	O-RING	NEOPRENE		BLACK	10	PG29
1	ADAPTOR	BRASS	NICKEL PLATED	BLUE	9	PG29
1	1 ADAPTOR ROUND	BRASS	NICKEL PLATED	BLUE	8	PG29
2	SLIDE SPOOL	STEEL	ZINC PLATED	BLUE	7	
2	CLIP BOLT	STEEL	ZINC PLATED	BLUE	6	
4	CLIP BOLT	STAINLESS STEEL	BLANC		5	
4	CLIP BOLT	STEEL	ZINC PLATED	BLUE	4	
1	HOOD	ALUMINIUM		GREY	3	
1	HOOD	ALUMINIUM	ALUMINIUM OXID	BLACK	2	
1	HOOD	ALUMINIUM		GREY	1	

HB.32.STS.1.29.Z
 HB-K.32.STS.1.29.Z
 HB.32.STS-GR.1.29.Z

DIMENSIONS: mm 		TOLERANCES UNLESS OTHERWISE SPECIFIED: 0 PLC ±- 1 PLC ±- 2 PLC ±- 3 PLC ±- 4 PLC ±- ANGLES ±1° FINISH		DWN R.SCHNEIDER 12MAY2009 CHK T.SCHNURPFELL 12MAY2009 APVD - PRODUCT SPEC - APPLICATION SPEC - WEIGHT -		Tyco Electronics tyco Electronics AMP GmbH 53757 Sankt Augustin (Germany)	
MATERIAL -		NAME HOOD HB.32.STS.1.29.Z		SIZE A2 CAGE CODE 00779 DRAWING NO G-1102347		RESTRICTED TO -	
CUSTOMER DRAWING				SCALE 1:1		SHEET 1 OF 1 REV A2	