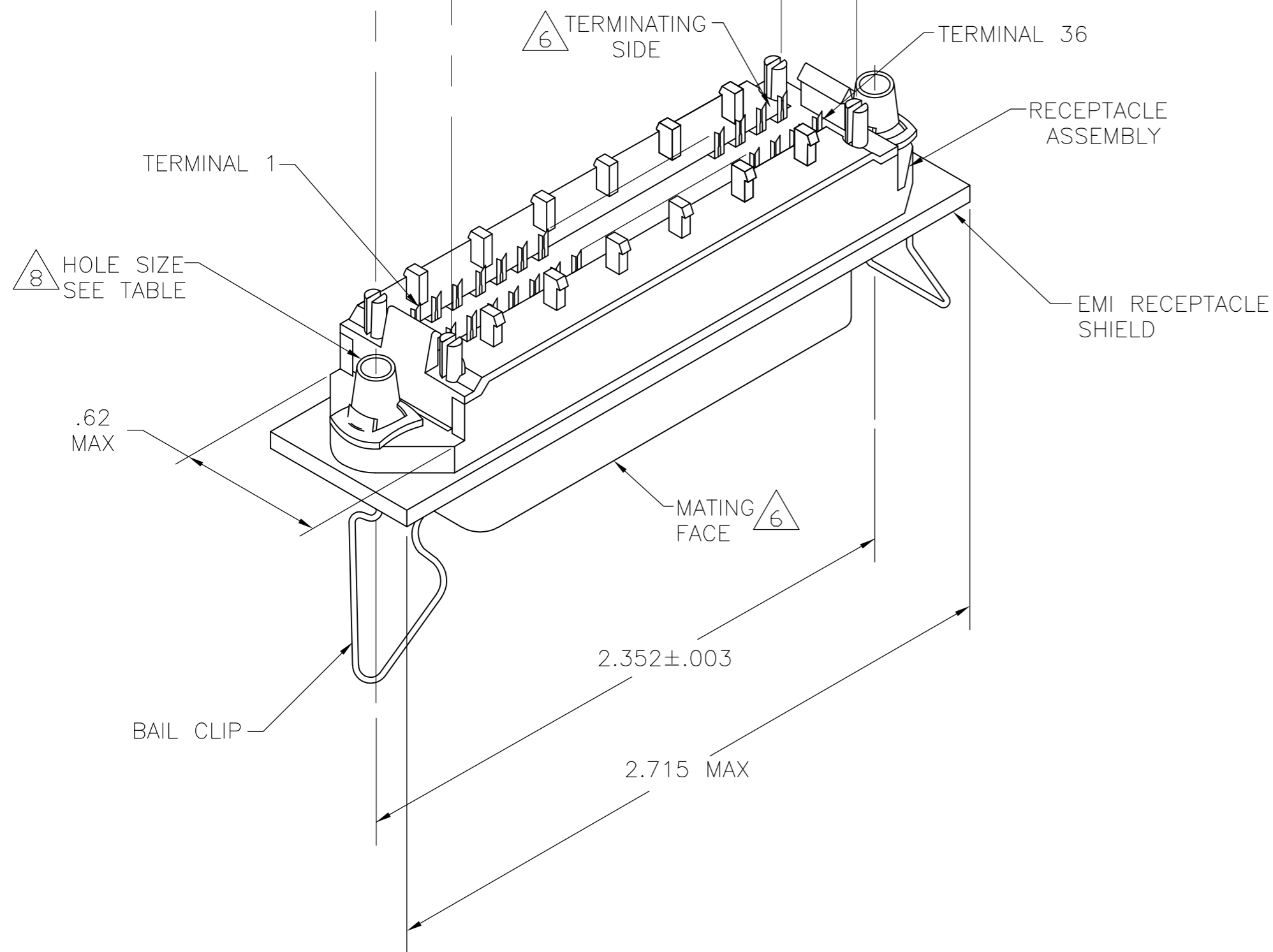
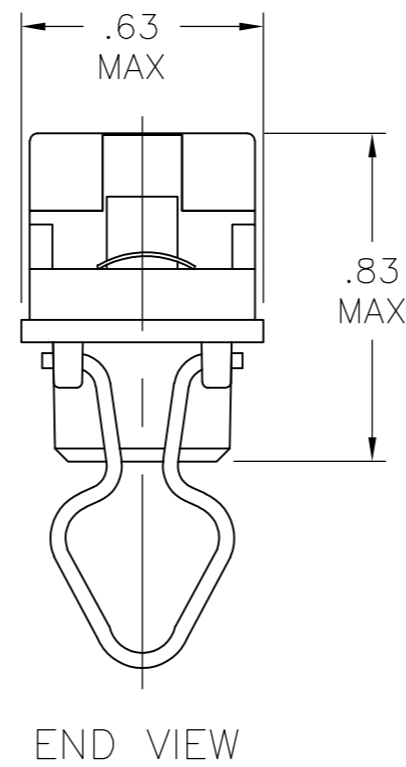
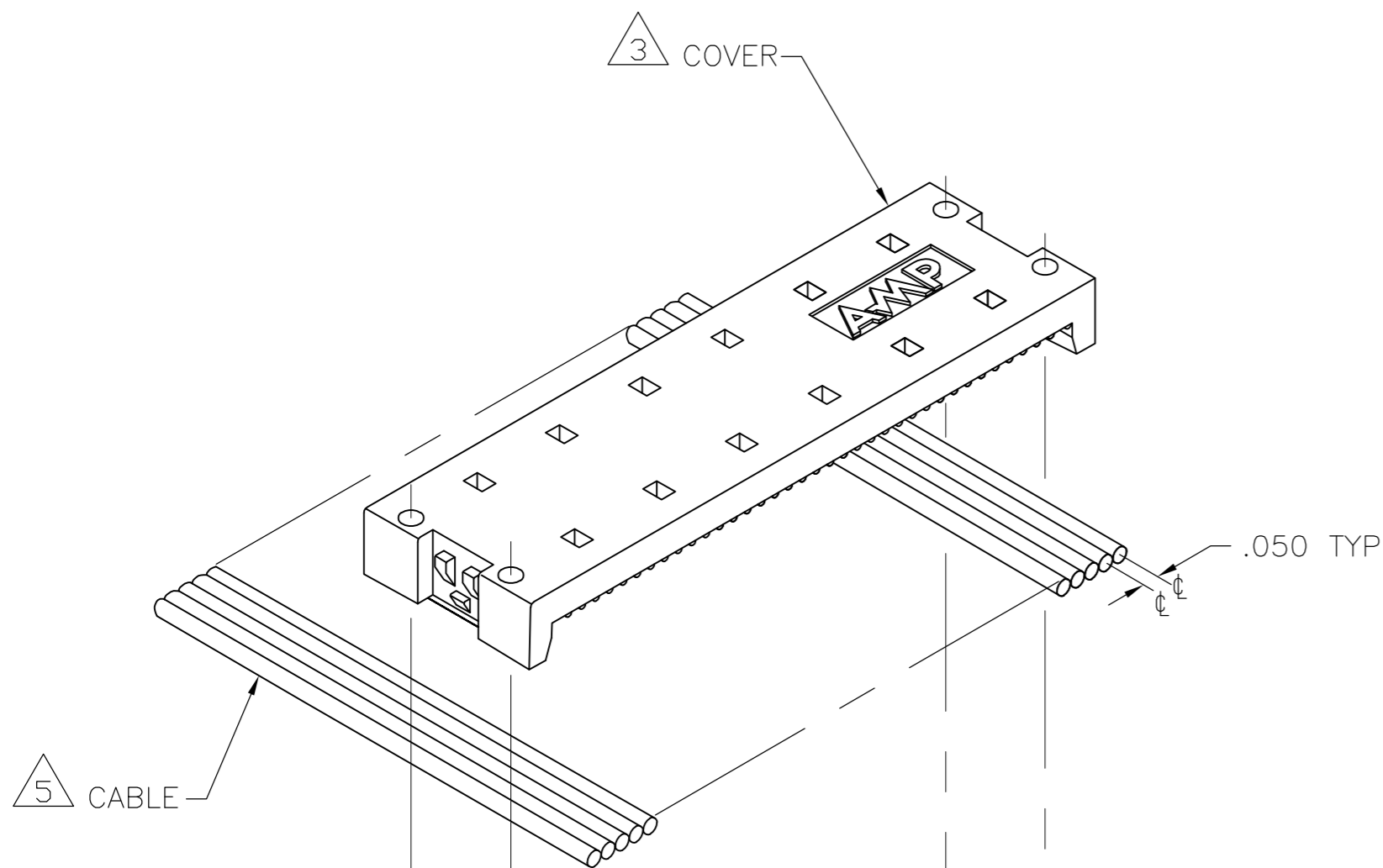
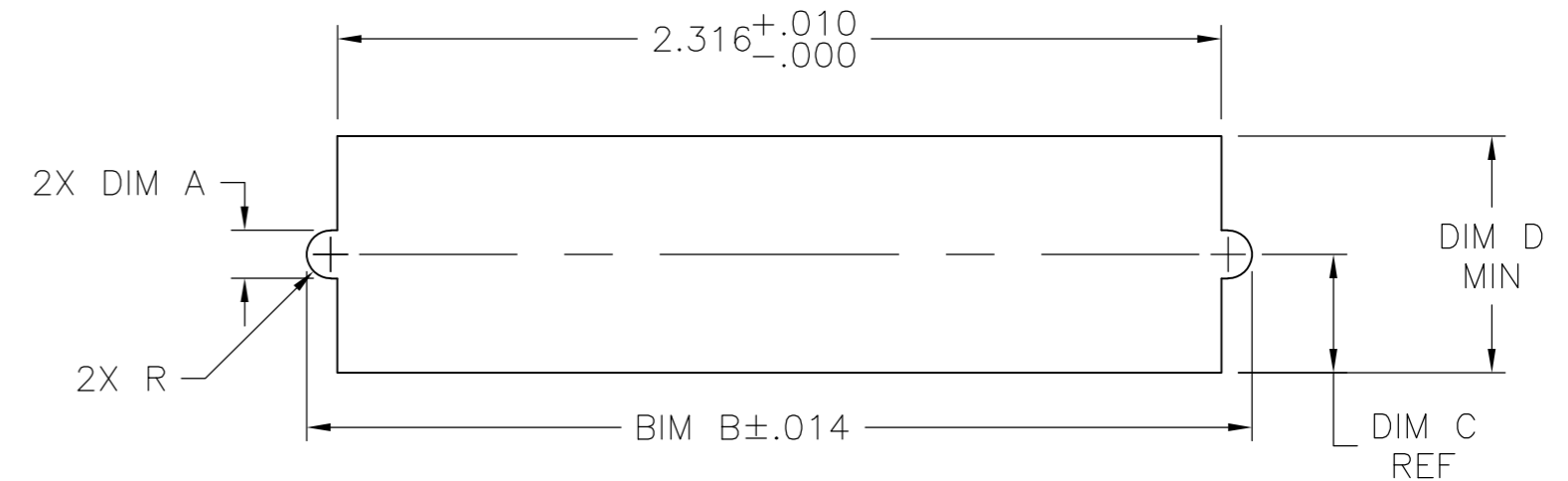


THIS DRAWING IS UNPUBLISHED. RELEASED FOR PUBLICATION
 © COPYRIGHT BY TYCO ELECTRONICS CORPORATION. ALL RIGHTS RESERVED.

LOC		DIST		REVISIONS					
GP		00		P	LTR	DESCRIPTION	DATE	DWN	APVD
				B		REVISED PER ECO-08-007327	17APR08	BM	WM



1. THE CONTACT SURFACES OF THE TERMINALS ARE COATED WITH LUBRICANT.
- 2 MATERIAL:
HOUSING & COVER: PLYPHENYLENE OXIDE (BLACK).
TERMINALS - PHOS BRONZE PLATED WITH EITHER .000030 MINIMUM GOLD PLATE OR GOLD FLASH OVER PALLADIUM NICKEL PLATE, .000030 MIN TOTAL ON MATING SURFACE. GOLD FLASH PLATED ON TERMINATING SIDE. .000050 MINIMUM NICKEL UNDERPLATE OVER ENTIRE TERMINAL.
EMI SHIELD: NICKEL PLATED DIE CASTING.
BAIL CLIPS: PASSIVATED STAINLESS STEEL.
HARDWARE: ZINC PLATED SPRING STEEL.
- 3 COVER SHOWN LOOSE BUT SHIPPED ASSEMBLED.
4. WIRE RANGE: 26 AWG SOLID THRU 30 AWG SOLID AND 28 AWG STRANDED RIBBON CABLE.
- 5 FLAT CABLE SHALL BE FURNISHED BY CUSTOMER.
- 6 MATING FACE CONSISTS OF TWO ROWS OF TERMINALS ON .085 CENTERS. TERMINATING SIDE CONSISTS OF TERMINALS ON .100 CENTERS FOR AN EFFECTIVE .050 TERMINATION.
- 7 PANEL THICKNESS RANGE: .062 MAX.
- 8 HOLES TO BE TAPPED AFTER PLATING.
9. FOR MORE INFORMATION REFER TO AMP PRODUCT SPEC 108-6076 & APPLICATION SPEC 114-6030.



7 SUGGESTED REAR PANEL MOUNTING CUTOUT DIMENSIONS

.620	.310	2.478	.126 ± .003	4-40 UNC-2B	5554346-2
DIM D	DIM C	DIM B	DIM A	SHIELD HOLE SIZE	PART NUMBER

THIS DRAWING IS A CONTROLLED DOCUMENT.		DWN B. MCMASTER 11OCT05	Tyco Electronics Corporation Harrisburg, PA 17105-3608		
DIMENSIONS: INCHES		CHK W. MILLHIMES 11OCT05	NAME		
TOLERANCES UNLESS OTHERWISE SPECIFIED:		APVD W. MILLHIMES 11OCT05	EMI RECEPTACLE ASSEMBLY, 36 POSITION, LOW PROFILE, SHIELDED, BAIL LOCK, CHAMP LATCH		
0 PLC ± -		PRODUCT SPEC	SIZE	CAGE CODE	DRAWING NO
1 PLC ± -		APPLICATION SPEC	A2	00779	C=5554346
2 PLC ± -		WEIGHT	RESTRICTED TO		
3 PLC ± -		FINISH	SCALE 2:1 SHEET 1 OF 1 REV B		
4 PLC ± -					
ANGLES ± -					
MATERIAL 2					