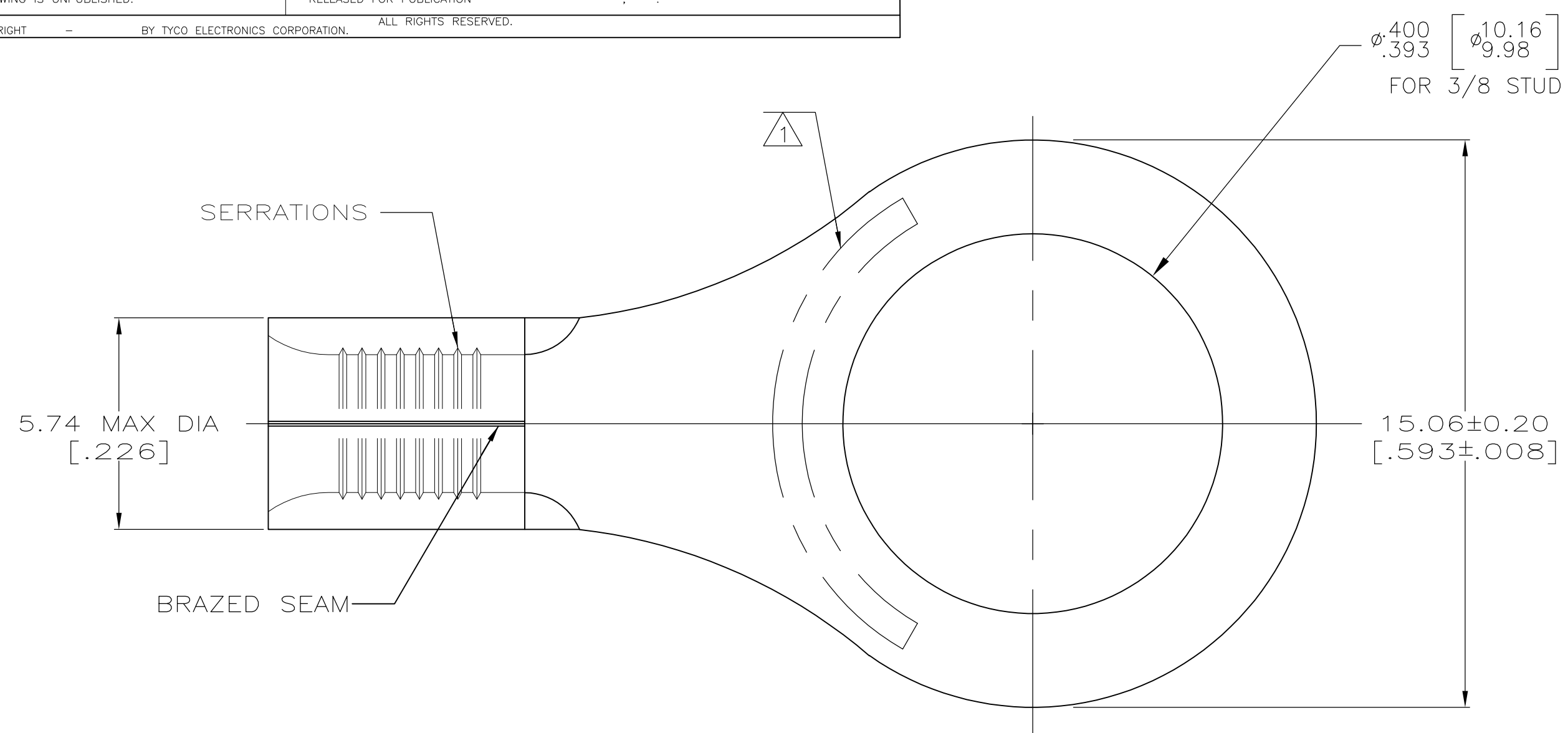


THIS DRAWING IS UNPUBLISHED. RELEASED FOR PUBLICATION
 © COPYRIGHT BY TYCO ELECTRONICS CORPORATION. ALL RIGHTS RESERVED.

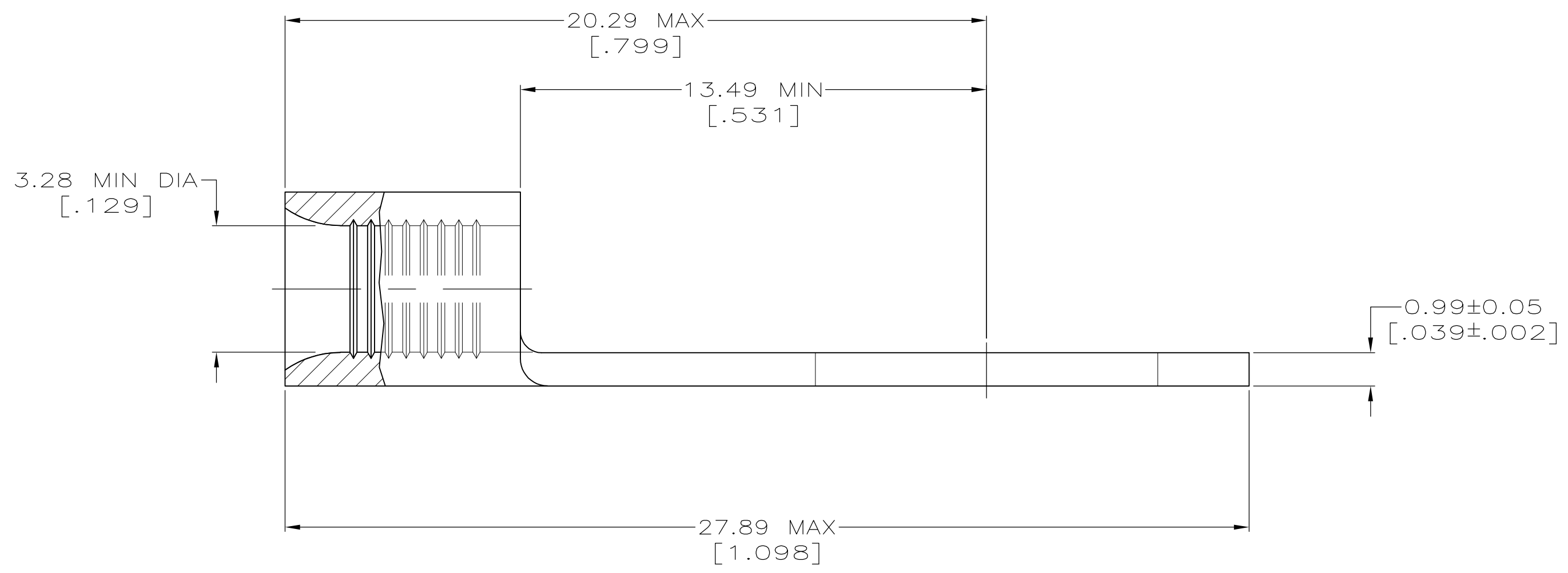
LOC	DIST	REVISIONS			DAP		
		P	LTR	DESCRIPTION	DATE	DWN	APVD
G	14	A		RELEASED PER ECR 08-000190	07JAN08	JR	MS



AMP
WIRE RANGE

12-10 AWG
SOLID OR STRANDED

- 1 STAMP AMP 12-10* APPROX AS SHOWN
- 2 COPPER PER ASTM B-152, ANNEALED
- 3 TIN PLATE 0.00254 [0.000100] MIN PER ASTM B-545
- 4 MAX OPERATING TEMP IS 170°C
- 5 WIRE CROSS SECTIONAL AREA RANGE IS 2.62-6.64mm² [5,180-13,100] CIR MILS.



1000	TAPE MOUNTED	1958170-1
QTY	PACKAGE TYPE	PART NO.

THIS DRAWING IS A CONTROLLED DOCUMENT.

DWN	JR RUTH	15NOV07	Tyco Electronics Corporation Harrisburg, PA 17105-3608
CHK	MIKE SPICER	15NOV07	
APVD	MIKE SPICER	15NOV07	
NAME	NAME		
DIMENSIONS: MM [INCHES]			PRODUCT SPEC
TOLERANCES UNLESS OTHERWISE SPECIFIED:			APPLICATION SPEC
0 PLC ± -			SIZE
1 PLC ± -			CAGE CODE
2 PLC ± 0.20 [0.008]			DRAWING NO
3 PLC ± -			RESTRICTED TO
4 PLC ± -			SCALE
ANGLES ± -			SHEET
FINISH			1 OF 1
MATERIAL - 2			REV
FINISH - 3			A

Customer Drawing

1958170