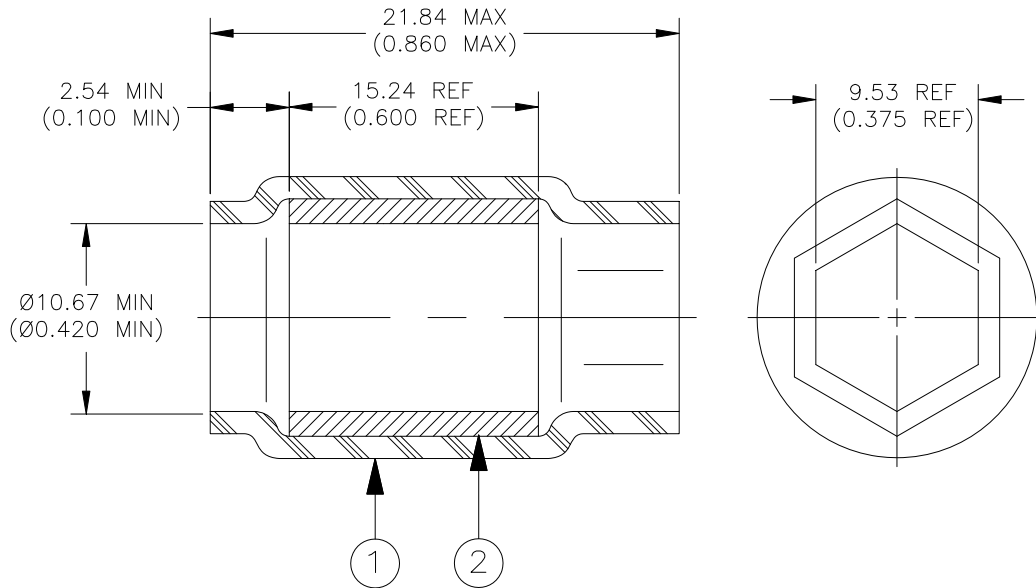


CUSTOMER DRAWING



MATERIALS

1. INSULATION SLEEVE: Heat-shrinkable, transparent blue, radiation cross-linked modified polyvinylidene fluoride.
2. MELTABLE INSERT: Modified fluoride-based thermoplastic.

APPLICATION

1. This sleeve is designed to be used in conjunction with a D-621-0028.

INSTALLATION PROCEDURE

1. Slide the sleeve over the D-621/Soldertact and cable assembly such that the hex side of sleeve is facing the hex portion of D-621-0028.
2. Thread the jam nut onto the D-621 until only 1/8" remaining between the nut and the hex portion of the D-621 body.
3. Slide the sleeve over the hex portion of the D-621 until the sleeve bottoms on the panel nut.
4. Gently pull on the Soldertact cable until the Soldertact fully seats in the D-621.
5. Begin heating the sleeve on the insert side first using a CV-5700 (Mini-Gun 3). Proceed to melt the insert and continue up to recover the sleeve over the hex portion and part of the threads.

<b style="font-size: 1.2em;">Tyco Electronics		300 Constitution Dr Menlo Park, CA 94025, U.S.A.	TITLE: SLEEVE, RETAINING		
Unless otherwise specified dimensions are in millimeters. [Inches dimensions are shown in brackets]		Raychem Devices	DOCUMENT NO.: D-436-0152		
TOLERANCES: 0.00 N/A 0.0 N/A 0 N/A	ANGLES: N/A ROUGHNESS IN MICRON	Tyco Electronics reserves the right to amend this drawing at any time. Users should evaluate the suitability of the product for their application.		REV: A	DATE: December 28, 2010
REVISED BY: UNGUYEN	CAGE CODE: 06090	ECO NUMBER: ECO-10-026399		SCALE: NTS	SIZE: A SHEET: 1 of 1

© 2010 Tyco Electronics Corporation. All rights reserved.

If this document is printed it becomes uncontrolled. Check for the latest revision.