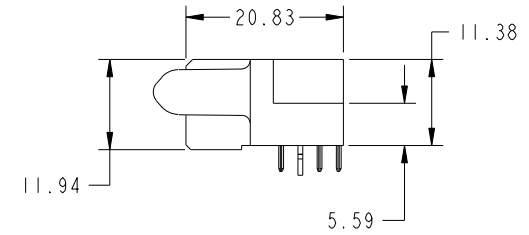
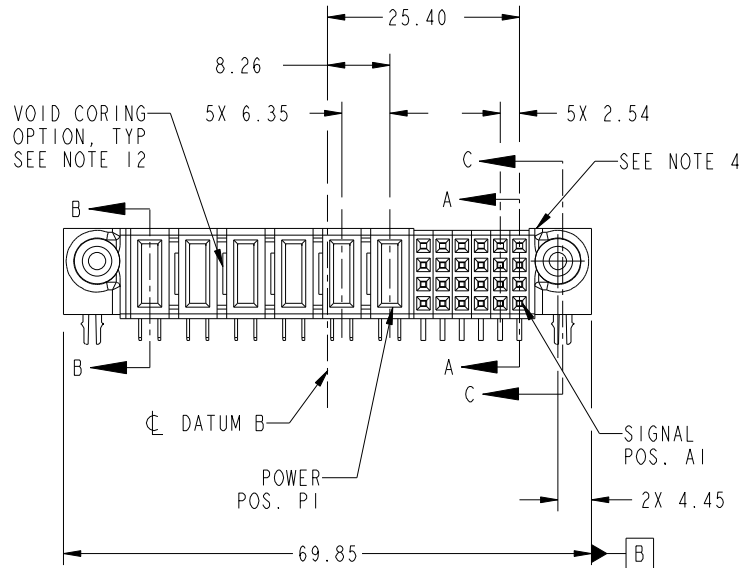
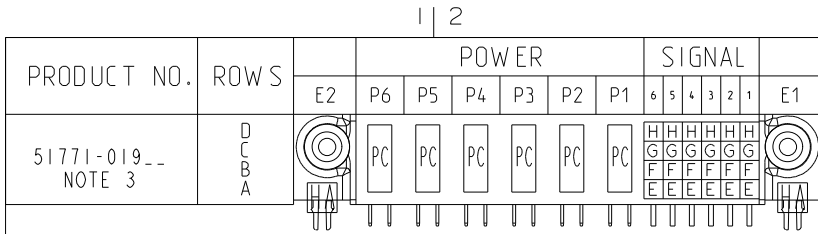


Tous droits strictement reserves. Reproduction ou communication a des tiers interdite sous quelque forme que ce soit sans autorisation ecrite du proprietaire. Propriete de c.FCI. Droits de reproduction FCI.

All rights strictly reserved. Reproduction or issue to third parties in any form whatever is not permitted without written authority from the proprietor. Property of FCI. Copyright FCI.



CODE	DIM "M" MATING LENGTH	CONTACT TYPE
PC	[2.34]	POWER
H	[N/A]	SIGNAL
G	[N/A]	SIGNAL
F	[N/A]	SIGNAL
E	[N/A]	SIGNAL
HA	[N/A]	HOLD-DOWN

mat'l code				tolerances unless otherwise specified		CUSTOMER	
SEE NOTE 2				0.X ±0.5		COPY	
lir	ecn no.	dr	date	linear	0.XX ±0.25	projection	
A	DG08-0217	W D	08/18/08	angles	0.XXX ±0.1		
					0° ±2°		
				dr	Warren Du 08/12/08	product family PwrBlade	
				enrg	Jerome Chen 08/12/08	size	code
				chr	Gary Hsieh 08/12/08	dwg no	213
				appd	Joseph Hsia 08/12/08	A	51771-019
sheet index	revision sheet	A 1	A 2	A 3	A 4	sheet 1 of 4	

FCI		www.fciconnect.com	
title 24S + 6P R/A SOLDER RECEPTACLE			
product family PwrBlade		code 213	
size A		dwg no 51771-019	
scale 1:1		sheet 1 of 4	

A

B

1 | 2

3 |

4

A

B

Pro/E

PDM: Rev: A

STAT: Released

Printed: Dec 20, 2010

cage code 2856

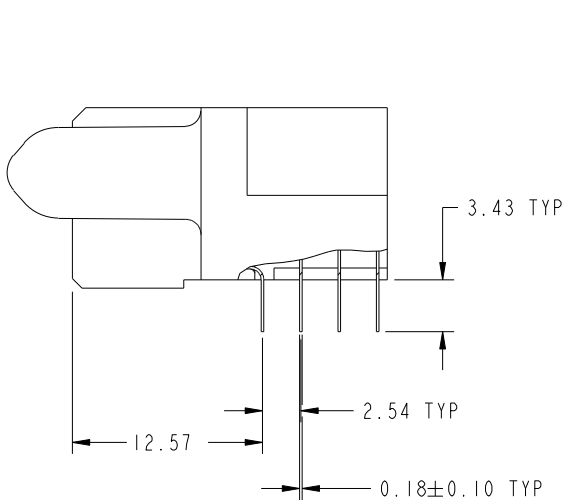
Tous droits strictement reserves. Reproduction ou communication a des tiers interdite sous quelque forme que ce soit sans autorisation ecrite du proprietaire. Propriete de c FCI. Droits de reproduction FCI.

All rights strictly reserved. Reproduction or issue to third parties in any form whatever is not permitted without written authority from the proprietor. Property of FCI. Copyright FCI.

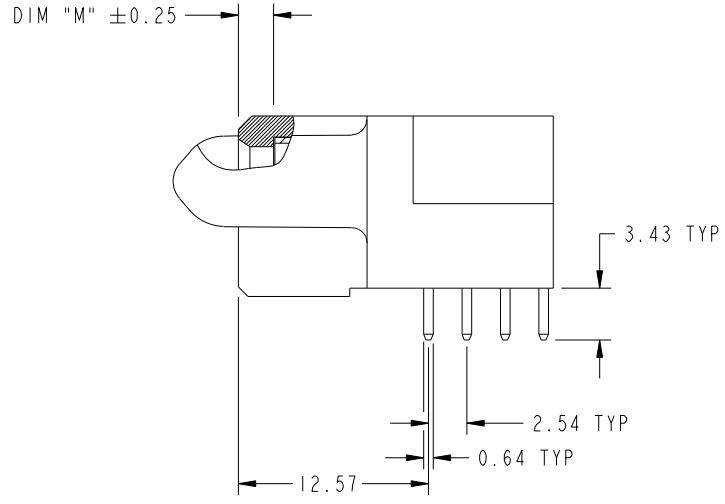


PRODUCT NUMBER

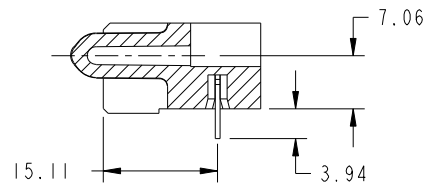
51771-019_
NOTE 3



BROKEN-OUT SECTION A-A
SCALE 2:1



BROKEN-OUT SECTION B-B
SCALE 2:1



SECTION C-C

mat'l code		SEE NOTE 2		tolerances unless otherwise specified		CUSTOMER		 www.fciconnect.com	
lir	ecn no.	dr	date	linear	0.X ±0.5	COPY		title 24S + 6P R/A SOLDER RECEPTACLE	
A					0.XX ±0.25	projection			
					0.XXX ±0.1				
				angles	0° ±2°	 MM		product family PwrBlade code 213	
				dr	Warren Du 08/12/08	scale 1:1		size dwg no A 51771-019	
				enrg	Jerome Chen 08/12/08			sheet 2 of 4	
				chr	Gary Hsieh 08/12/08				
				appd	Joseph Hsia 08/12/08				
sheet index	revision sheet								

cage code 2856

Pro/E

PDM: Rev: A

STATUS: Released

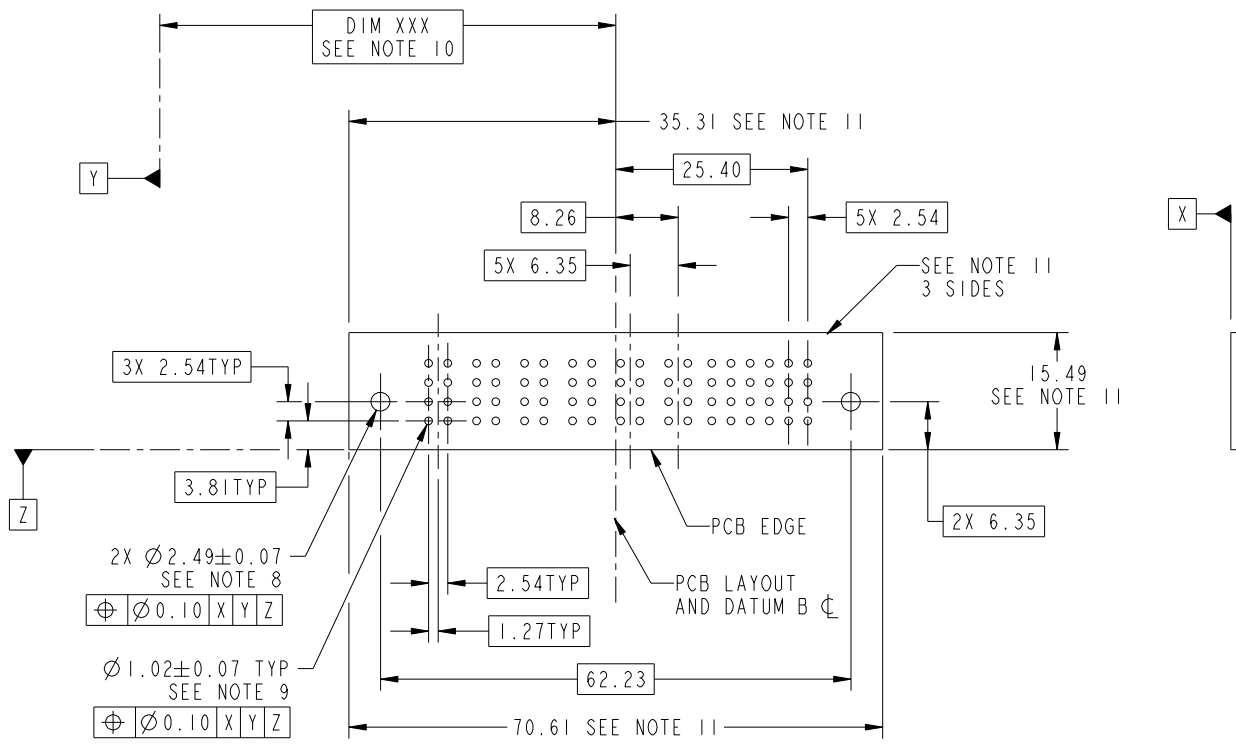
Printed: Dec 20, 2010

Tous droits strictement reserves. Reproduction ou communication a des tiers interdite sous quelque forme que ce soit sans autorisation ecrite du proprietaire. Propriete de c.FCI. Droits de reproduction FCI.

All rights strictly reserved. Reproduction or issue to third parties in any form whatever is not permitted without written authority from the proprietor. Property of FCI. Copyright FCI.



PRODUCT NUMBER
51771-019__
NOTE 3



RECOMMENDED PCB LAYOUT

mat'l code		SEE NOTE		tolerances unless otherwise specified		CUSTOMER		 www.fciconnect.com	
lir	ecn no.	dr	date	linear	0.X ± 0.5	COPY		title	
A				angles	0.XX ± 0.25	projection		24S + 6P	
					0.XXX ± 0.1			R/A SOLDER RECEPTACLE	
					0° ± 2°	MM		product family PwrBlade	
				dr	Warren Du 08/12/08	scale		code	
				enr	Jerome Chen 08/12/08	1:1		213	
				chr	Gary Hsieh 08/12/08	A		sheet	
				appd	Joseph Hsia 08/12/08	51771-019		3 of 4	
sheet index	revision sheet								

cage code 2856

Tous droits strictement reserves. Reproduction ou communication a des tiers interdite sous quelque forme que ce soit sans autorisation ecrite du proprietaire. Propriete de c.FCI. Droits de reproduction FCI.

All rights strictly reserved. Reproduction or issue to third parties in any form whatever is not permitted without written authority from the proprietor. Property of FCI. Copyright FCI.



1 | 2

3

4

PRODUCT NUMBER

51771-019__
NOTE 3

NOTES:

1. DIMENSIONS AND TOLERANCES ARE IN ACCORDANCE WITH ASME Y14.5M, 1994 UNLESS OTHERWISE SPECIFIED.

CONNECTOR NOTES:

- 2. HOUSING MATERIAL: UL 94 V-0 GLASS FILLED HIGH-TEMP THERMOPLASTIC
POWER CONTACT MATERIAL: COPPER ALLOY
SIGNAL PIN MATERIAL: COPPER ALLOY
 - 3. PLATING:
51771-019, 51771-019LF PLATING SPEC. WAS SHOWN IN THE PRINT OF 10064183.
 - 4. MANUFACTURER'S NAME, P/N, AND DATE CODE TO APPEAR ON THIS SURFACE.
 - 5. PRODUCT SPECIFICATION GS-12-149.
APPLICATION SPECIFICATION BUS-20-067.
 - 6. PACKAGED IN TRAYS.
- PCB NOTES:
- 7. ALL HOLE DIAMETERS ARE FINISHED HOLE SIZE.
 - 8. MOUNTING HOLES, WHERE APPLICABLE, ARE UNPLATED.
 - 9. $\varnothing 1.151 \pm 0.025$ DRILLED HOLES PLATED WITH 0.008 MIN SnPb OR Sn OVER 0.03 TO 0.08 Cu PLATING TO ACHIEVE $\varnothing 1.02 \pm .07$ HOLE.
 - 10. "DIM XXX" TO BE DETERMINED BY THE CUSTOMER.
 - 11. CONNECTOR KEEP-OUT ZONE.
 - 12. THE VOID CORING IN BETWEEN POWER MODULES, SIGNAL MODULES AND END MODULES ARE OPTIONAL AND THE SHAPE MAY BE DIFFERENT FOR OPTIMIZE THE MOLDING PROCESS. THE VOID CORING WILL NOT EFFECT TO PRODUCT FUNCTION.

A

A

B

B

mat'l code		SEE NOTE 2		tolerances unless otherwise specified		CUSTOMER		 www.fciconnect.com	
ltr	ecn no.	dr	date	linear	0.X ±0.5		COPY		title 24S + 6P R/A SOLDER RECEPTACLE
A					0.XX ±0.25		projection		
					0.XXX ±0.1				
				angles	0° ±2°				product family PwrBlade code 213 sheet 4 of 4
				dr	Warren Du	08/12/08			
				enrg	Jerome Chen	08/12/08	size A		
				chr	Gary Hsieh	08/12/08	dwg no 51771-019		
				appd	Joseph Hsia	08/12/08	scale 1:1		
sheet index	revision sheet								

1 | 2

Pro/E

PDM: Rev: A

STATUS: Released

Printed: Dec 20, 2010

cage code 2856

4