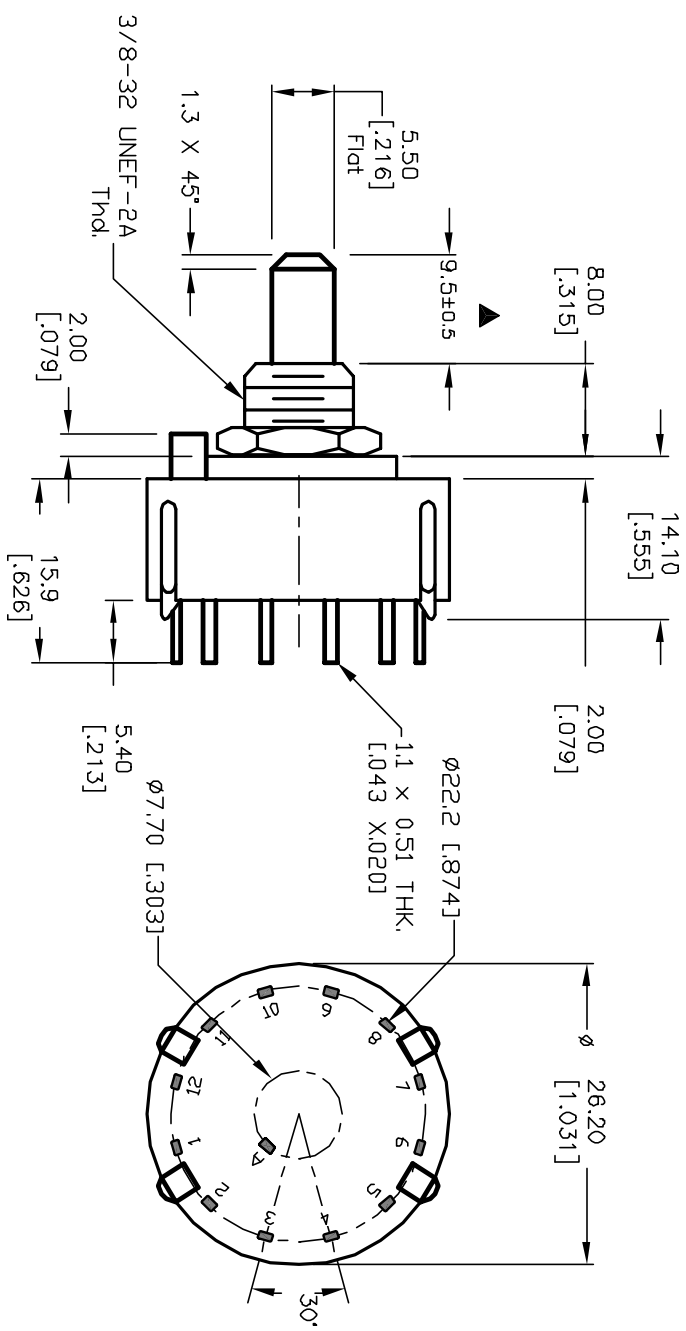
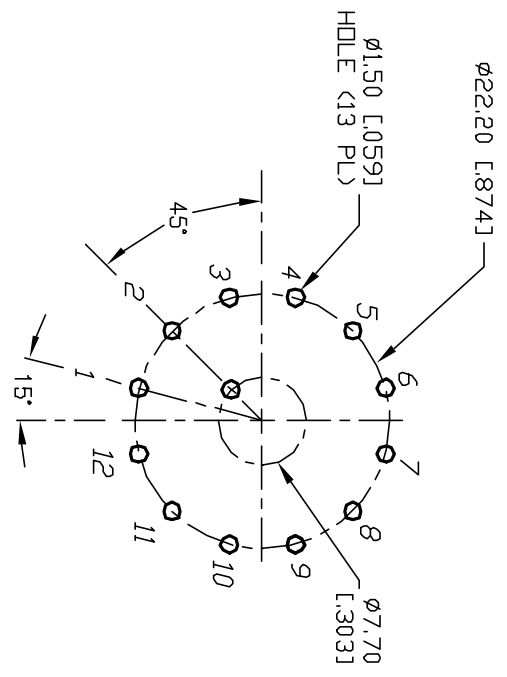
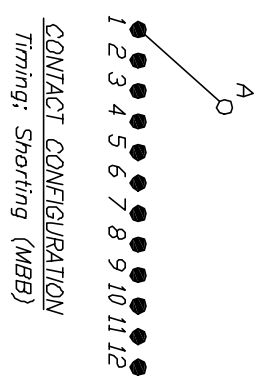
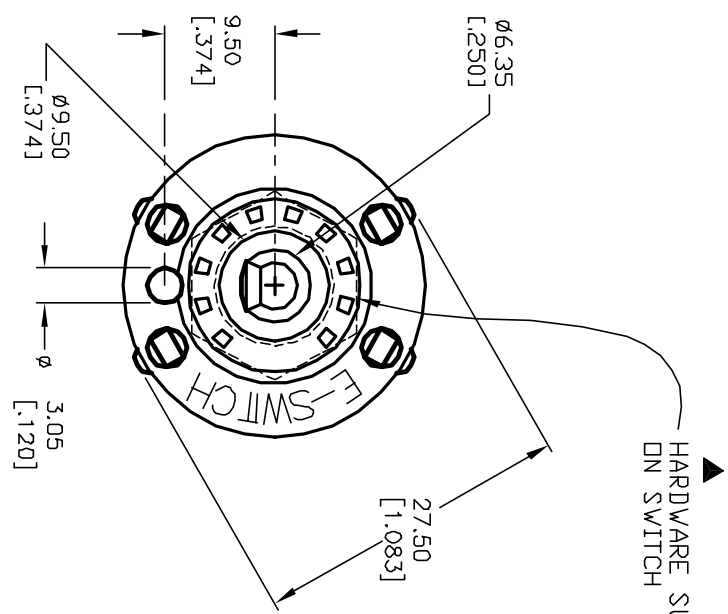


- NOTES:
1. ALL DIMENSION IN MM [INCH]
 2. GENERAL TOLERANCE: X.X=±0.4
X.XX=±0.25
 3. TERM. NOS. FOR REF. ONLY
 4. CONTACT RATING SWITCHING: 150mA, 250V AC/DC
350mA, 110V AC/DC
 5. CONTACT RATING (NON-SWITCHING) 5A
 6. CONTACT MATERIAL: GOLD FLASH OVER COPPER ALLOY
 7. OPERATING FORCE: 425±100 CM/STANDARD
 8. OPERATING TEMP: -30° to 85°C
 9. CIRCUIT SP: 12 POSITIONS, 30° INDEX.
 10. DIELECTRIC STRENGTH 1000V RMS min. @ SEA LEVEL
 11. DESIGNATE MAJOR DIMENSIONS
 12. HARDWARE SUPPLIED ON SWITCH - SEE BELOW
STOPPING, LOCKWASHER, & HEXNUT



| | | | | |
|------|---------|-------------------------|---------|------|
| D | 12821 | REVISED NOTE 12 | 3/4/03 | CJB |
| C | 12222 | REVISED ACTUATOR LENGTH | 7/3/02 | CJB |
| B | 12249 | REV DESC. PER CATALOG | 6/19/02 | CJB |
| A | 11278 | RELEASED FOR PRODUCTION | 3/5/01 | CJB |
| REV. | ECN No. | DESCRIPTION | DATE | CHKD |

| | | | | | | | | | | | |
|--------------------------|--|-------|--|--------|--|-----|--|---------|--|-----|--|
| TITLE | | SCALE | | DATE | | DR | | DWG | | REV | |
| KC-52-A (9.5mm)-01-S-P-F | | 1.5:1 | | 3/5/01 | | CJB | | G527548 | | D | |
| E-SWITCH® | | | | | | | | | | | |

THE INFORMATION CONTAINED IN THIS DOCUMENT IS PROPRIETARY TO E-SWITCH AND IS NOT TO BE COPIED OR TRANSFERRED