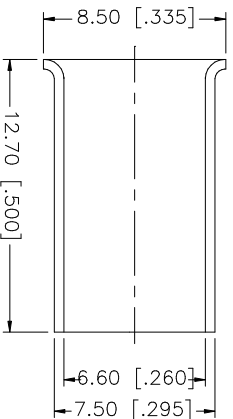
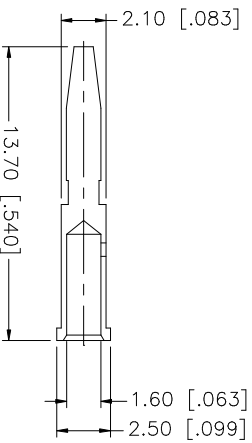
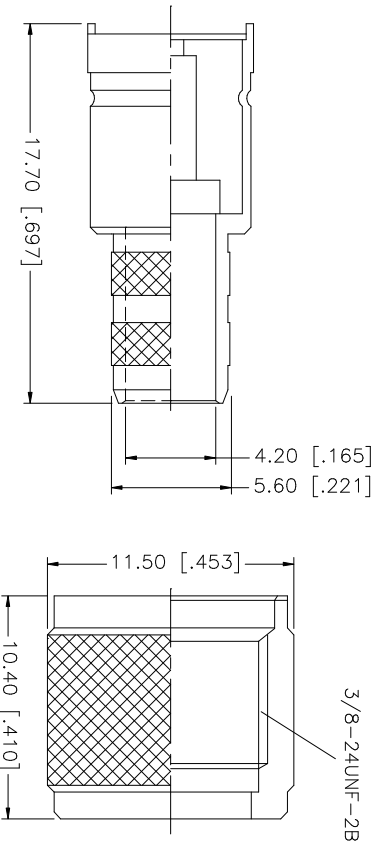
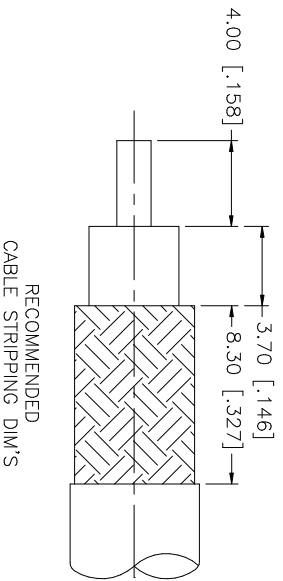


REV.	DATE	DESCRIPTION
NC	08/27/98	INITIAL RELEASE
A	04/12/06	UPDATE DRAWING FORMAT



8																								
7																								
6																								
5																								
4	FERRULE	BRASS	NICKEL	1																				
3	CONTACT PIN	BRASS	GOLD	1																				
2	INSULATOR	TEFLON	NATURAL	1																				
1	BODY	BRASS	NICKEL	1																				
	DESCRIPTION	MATERIAL	FINISH	QTY	UNLESS OTHERWISE SPECIFIED DIMENSIONS ARE IN MILLIMETERS. DIMENSIONS IN [] ARE IN INCHES AND FOR CUSTOMER REFERENCE ONLY. UNLESS OTHERWISE SPECIFIED TOLERANCES FOR MILLIMETERS ARE: 0.5 - 8mm ± 0.20mm 8 - 30mm ± 0.40mm 30 - 120mm ± 0.50mm UNLESS OTHERWISE SPECIFIED TOLERANCES FOR INCHES ARE: .020 - .315 = ± 0.007" .315 - 1.180 = ± 0.015" 1.180 - 4.724 = ± 0.020"																			
					DO NOT SCALE DRAWING																			
					APPROVALS		DATE		PART DESCRIPTION															
					DRAWN		04/12/06		MINI-UHF CRIMP PLUG (FOR RG-8/X, LMR-240 CABLE)															
					CHECKED				PART NO.															
					ISSUED				182302															
					SHEET		1 OF 1		DWG. NO. 182302.DWG															
					CAD FILE		C:/182/182302.DWG		REV. A															
									SIZE A															
									SCALE NA															

Amphenol Connex