

ATLANTIC VERSION TERMINATOR INTERFACE ADAPTER	PART NUMBER	REVISION	DESCRIPTION	FEED TYPE	APPLICATOR STYLE CONVERSION CHART						
					CONVERT TO	PART NUMBERS REQUIRED					
	2266403-2	A	FINE CRIMP HEIGHT ADJUST	PNEUMATIC	-	-	-	-	-	-	
	2266403-5	A	FINE CRIMP HEIGHT ADJUST	SERVO LATCH PLATE ⁴	SERVO LATCH PLATE	2119951-1	-	8-2266403-5	1901094-3	-	2168400-6 (QUANTITY 2)
					SMART APPLICATOR	2161326-1	-	8-2266403-4	-	-	
	2266403-6	A	NON-CRIMP HEIGHT ADJUST	SERVO LATCH PLATE ⁴	-	-	-	-	-	-	
	2266403-7	A	FINE CRIMP HEIGHT ADJUST	NONE	-	-	-	-	-	-	
	7-2266403-7	A	CRIMP TOOLING KIT	-	-	-	-	-	-	-	

APPLICATOR DATA		
CRIMP	SIZE	TYPE
WIRE	6.35 mm [.250]	F
INSUL	8.51 mm [.335]	OV

APPLICATOR INSTRUCTIONS
408-10389

TERMINAL DATA: YAZAKI TERMINAL YAZAKI CRIMP SPECIFICATION	
TERMINAL NAME: 9.5MM RECEPTACLE	
WIRE STRIP LENGTH 7.50-8.50 mm [.295-.335 IN]	INSULATION DIAMETER RANGE Ø4.60-5.80 mm [.181-.228 IN]
TERMINAL APPLICATION SPECIFICATION 72-WT10-3209 Rev WA2114	
TERMINALS APPLIED	
TE TERMINAL	YAZAKI TERMINAL
1572755-1	7116-3250
TE TERMINAL	YAZAKI TERMINAL
2-1203801-3	7116-3250

WIRE SIZE	CRIMP HEIGHT mm [INCH]	CRIMP HEIGHT REFERENCE SETTING
8.00mm2	2.75+/-0.05 [.108+/- .002]	5.9
6.00mm2	2.45+/-0.05 [.096+/- .002]	6.7
5.00mm2	2.40+/-0.05 [.094+/- .002]	9.2

- ¹ RECOMMENDED SPARE PARTS
- ² GREASE BEARING SURFACES LIGHTLY
- 3. LUBRICATE DAILY PER THE APPLICATOR INSTRUCTION SHEET SUPPLIED WITH THE APPLICATOR.
- ⁴ APPLICATOR SPECIFIC DATA TO BE ENTERED INTO BLANK MEMORY CHIP AT ASSEMBLY. SEE BELOW FOR PART NUMBER:
 PNEUMATIC FEED WITH "SMART APPLICATOR" CONVERSION: 8-2266403-4
 SERVO FEED WITH "FINE CRIMP HEIGHT ADJUST": 8-2266403-5
 SERVO FEED WITH "NON-CRIMP HEIGHT ADJUST": 8-2266403-6
- 5. ADJUSTMENT OF THE STRIPPER MAY BE REQUIRED WHEN MOVING THE APPLICATOR BETWEEN BENCH AND LEADMAKER APPLICATIONS.
- ⁶ APPLY PART NUMBER 1-23419-5 LOCTITE TO THREADS OF ITEMS 62. APPLY PART NUMBER 2-23419-6 LOCTITE TO THREADS OF ITEM 242. FOR -6 ONLY APPLY PART NUMBER 1-23419-5 LOCTITE TO THREADS OF ITEMS 37 & 242.
- ⁷ GREASE THREADS, GROOVE AND O-RING ON ITEMS 35 & 252.
- ⁸ MAGNET, ITEM 166 MUST BE ORIENTED CORRECTLY IN ORDER TO PROPERLY ACTUATE THE COUNTER.
- ⁹ CRIMP HEIGHT REFERENCE SETTING WAS THE SETTING USED WHEN THE APPLICATOR WAS QUALIFIED AT THE FACTORY. ADJUSTMENT MAY BE NECESSARY WHEN RUNNING APPLICATOR IN THE FIELD.
- ¹⁰ TERMINAL PITCH NOT COMPATIBLE WITH MECHANICAL FEED.
- ¹¹ TO CONVERT THE APPLICATOR TO A NON-CARRIER CUTTING STYLE, REMOVE ITEM 13 AND ATTACH TO THE LOCATION ON THE BACK SIDE OF THE HOUSING. REFER TO INSTRUCTION SHEET FOR ADDITIONAL INFORMATION.
- ¹² WHEN ASSEMBLING A NON CRIMP HEIGHT ADJUST APPLICATOR (-6) USE SHIMS FROM ITEM 260 TO ACHIEVE A NOMINAL SHIM HEIGHT OF 3.05.

***WARNING**
 ON INSTALLATION, SET WIRE DISC, ITEM 40 TO LARGEST WIRE SIZE SETTING. USE OF SETTINGS BELOW MINIMUM REQUIRED CRIMP HEIGHT SETTING WILL CAUSE DAMAGE TO CRIMP TOOLING.

- 2	2	2	2	2168083-1	SCR, SKT HD CAP, RoHS, M3 X 8.0	269	
- 1	1	1	1	1633782-2	FENCE	267	
- -	1	-	-	2119957-2	APPLICATOR SHIM PACK	260	
- 1	1	1	1	1803078-2	SPACER, PRECISION	259	
- 1	-	1	1	8-21084-0	O-RING, .676 ID, .070 DIA. MAT.	252	
- -	-	-	-	2119640-1	PUSH ROD, AIR FEED	250	
- -	-	-	-	2079988-1	BUSHING, LCH5-12, MISUMI	249	
- -	-	-	-	2119641-1	FEED CAM, AIR FEED	248	
- 1	-	1	1	2119798-1	DETENT PIN	247	
- 1	-	1	1	1-22279-3	SPRING, COMPRESSION	246	
- -	1	-	-	2161314-1	RAM, STEPPED, ATLANTIC, SF, NON-ADJ	245	
- 1	1	1	1	2119082-7	CAM, SNAIL, INSULATION ADJUSTMENT	244	
- 1	1	1	1	2079764-1	WASHER, WAVE SPRING, CREST-TO-CREST	243	
-77	-7	-6	-5	-2	PART NO	DESCRIPTION	ITEM NO

ATLANTIC VERSION
 Shown on sheets 1 of 4 & 2 of 4
 (Pacific version shown on sheets 3 of 4 & 4 of 4)

SET UP GAUGE	LOC	DIST	REVISIONS				
2119599-1	A	66	P LTR	DESCRIPTION	DATE	OWN	APVD
			A	RELEASED	17DEC2014	KH	TE

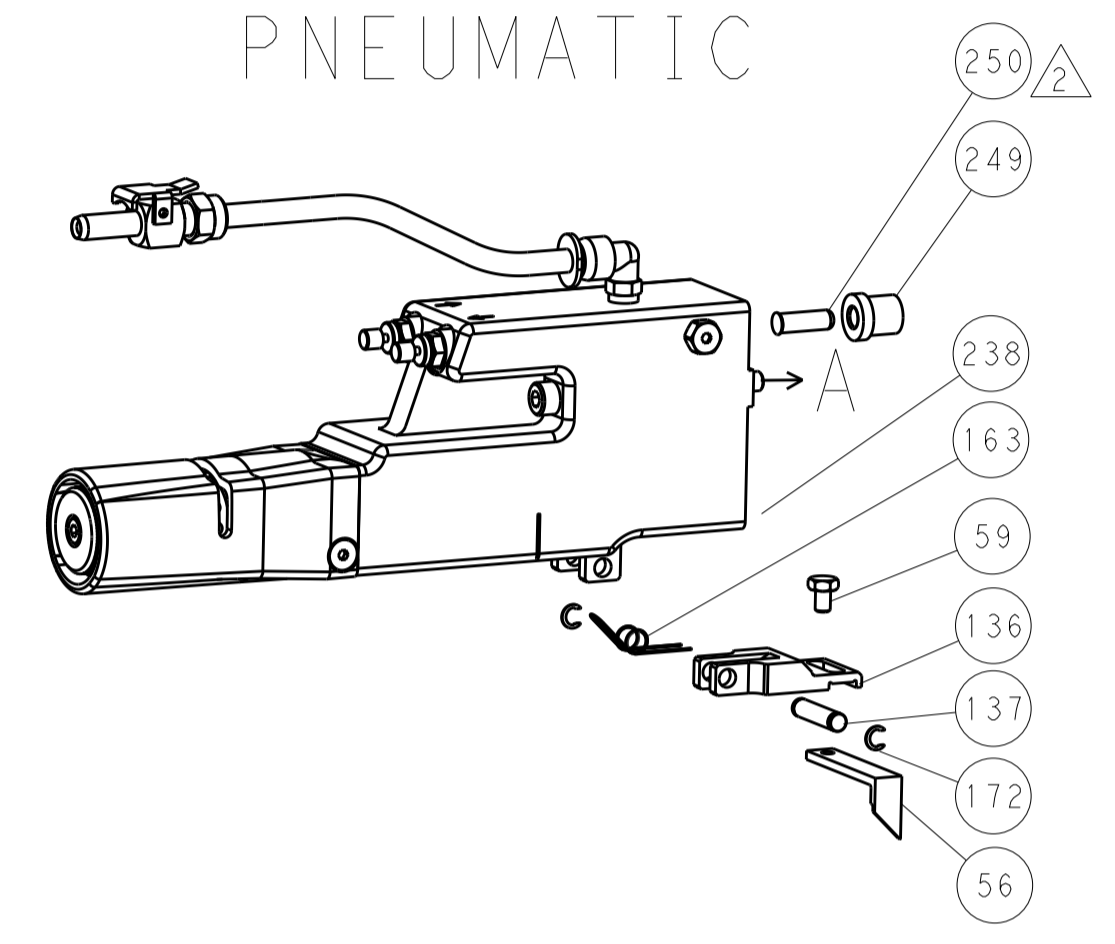
- 1	1	1	1	1	2119083-1	RETAINER, INSULATION DIAL	242
- 1	1	1	1	1	7-18023-7	SCR, SKT HD CAP M3 X 4.0	241
- -	2	2	-	-	2168400-6	SHCS, LOW HEAD, RoHS, M5 X 16	240
- -	-	-	-	1	2063440-2	AIR FEED MODULE	238
- -	1	1	-	-	2119740-2	TAG, IDENTIFICATION	213
- -	1	1	-	-	1901094-3	SPACER, FEEDER	198
- -	-	-	-	2	21045-3	RING, RETAIN, EXTERN, 3/16 CRESCENT	172
- 1	1	1	1	1	994969-1	MAGNET, RARE EARTH HIGH ENERGY	166
- REF	REF	REF	REF	REF	994970-2	COUNTER, MAGNETIC	164
- -	-	-	-	1	240638-1	SPRING, FEED FINGER	163
- -	-	-	-	1	3-23627-7	PIN, RETAIN, GRVD, 3/16 X .854	137
- -	-	-	-	1	2119799-1	HOLDER, FEED FINGER, AF	136
- -	REF	REF	-	-	SEE NOTE 4	MEMORY CHIP, PROGRAMMED	135
- -	1	1	-	-	1633743-1	SERVO FEED LATCH ASM	133
- 1	1	1	1	1	1-18028-2	WASHER, FLAT, REG M4	119
- -	REF	REF	-	-	2119944-1	FEED FINGER ASSEMBLY, SF	117
- 1	1	1	1	1	2119955-1	ASSY, LUBRICATOR, SIDE FEED	113
- 1	1	1	1	1	1-690438-0	FRONT STRIP GUIDE	96
- 2	2	2	2	2	2168083-1	SCR, SKT HD CAP, RoHS, M3 X 8.0	95
- 1	1	1	1	1	1-455888-1	SPACER, CRIMPER	82
- 2	2	2	2	2	2079383-4	SCR, BHSC, RoHS (M4 X 8)	79
- 1	1	1	1	1	1803096-1	EXTENSION PLATE	78
- 1	1	1	1	1	2119956-1	DOCUMENTATION PACKAGE	71
- 1	1	1	1	1	2119791-5	DEPRESSOR, WIRE	70
- 1	-	-	-	1	2119740-1	TAG, IDENTIFICATION	67
- 2	2	2	2	2	2168078-1	SCREW, DRIVE, RH, RoHS, 2 x .188	66
- 1	-	-	-	1	2119793-1	LIMITER, ADJUSTMENT BOLT	63
- 3	-	3	3	3	992763-5	SCR, SET, SOC, CONE POINT, M3 X 4.0	62
- 2	2	2	2	2	2-18032-5	SCR, SET, FLT POINT M5 X 20.0	61
- 1	1	1	1	1	2079383-4	SCR, BHSC, RoHS (M4 X 8)	60
- -	-	-	-	1	5-18022-5	SCR, HEX HD CAP, M4 X 6.0	59
- -	-	-	-	1	1338683-8	FEED PAWL	56
- 4	4	4	4	4	2168400-1	SHCS, LOW HEAD, RoHS, M4 X 12	54
- 2	2	2	2	2	2168083-8	SCR, SKT HD CAP, RoHS, M4 X 16	53
- 1	1	1	1	1	5018030-1	NUT, HEX, REG, RoHS, M3	52
- 1	1	1	1	1	811242-5	BUMPER, HOLD DOWN	51
- 1	1	1	1	1	690753-2	SPACER, TONKER	50
- -	-	-	-	1	18023-9	SCR, SKT HD CAP M4 X 6.0	49
- 1	1	1	1	1	2119656-9	APPLICATOR BASIC ASSEMBLY, SF	46
- 1	-	1	1	1	2161311-1	RAM, STEPPED, AMP STYLE, SIDE FEED	44
- 1	1	1	1	1	1-2079383-5	SCR, BHSC, RoHS (M8 X 40)	41
- 1	-	1	1	1	2119645-1	DISC, NUMBERED FA WIRE ADJUSTMENT	40
- 1	-	1	1	1	2119957-1	APPLICATOR SHIM PACK	39
- 1	1	1	1	1	2119644-2	RAM WASHER, PRECISION	38
- 1	1	1	1	1	2119085-1	FA HEAD, ATLANTIC STYLE	37
- 1	-	1	1	1	2119092-1	BOLT, ADJUSTMENT	35
- 1	1	1	1	1	1-1752356-8	SUPPORT, TERMINAL	34
- 2	2	2	2	2	2079383-5	SCR, BHSC, RoHS (M4 X 20)	33
- 1	1	1	1	1	2161328-1	HEX HEAD, FLANGED, M5 X 8mm LONG	32
- 1	1	1	1	1	1320908-8	SPACER, STRIP GUIDE	30
- 1	1	1	1	1	2119959-3	ASSEMBLY, STRIP GUIDE	29
- 1	1	1	1	1	1-455888-5	SPACER, CRIMPER	28
- 2	2	2	2	2	22283-1	SPRING, COMPRESSION	27
- 1	1	1	1	1	356835-1	LEVER, DRAG RELEASE	26
- 1	1	1	1	1	240792-1	DRAG, TERMINAL	25
- 1	1	1	1	1	1320928-6	STRIP GUIDE	24
- 1	1	1	1	1	980371-4	SCR, SKT HD SHLDR 5.0 DIA X 6.0	23
- 1	1	1	1	1	2168083-2	SCR, SKT HD CAP, RoHS, M4 X 8.0	21
- 1	1	1	1	1	1-18028-2	WASHER, FLAT, REG M4	20
- 1	1	1	1	1	2119533-1	STRIPPER, SIDE FEED	19
- 1	1	1	1	1	2119806-1	INSERT, SHEAR	13
- 1	1	1	1	1	3-22280-3	SPRING, COMPRESSION	12
- 1	1	1	1	1	1-356885-3	STOP, SHEAR	11
- 1	1	1	1	1	2119805-1	SHEAR HOLDER, FRONT	10
- 1	1	1	1	1	454276-5	FLOATING SHEAR, FRONT	9
1	1	1	1	1	2-1633930-9	ANVIL, COMBINATION	8
- 1	1	1	1	1	1-240641-4	SPACER	7
- -	-	-	-	-	-	-	6
- 1	1	1	1	1	1-2119757-2	DEPRESSOR, SHEAR	5
- 1	1	1	1	1	238011-3	BLOCK, CRIMPER SPACER	4
1	1	1	1	1	6-2119785-4	CRIMPER, INSULATION OVERLAP PREMIUM	3
- 1	1	1	1	1	455888-7	SPACER, CRIMPER	2
1	1	1	1	1	456432-9	CRIMPER, WIRE	1
-77	-7	-6	-5	-2	PART NO	DESCRIPTION	ITEM NO

DIMENSIONS:		TOLERANCES UNLESS OTHERWISE SPECIFIED:		OWN	19NOV2012		TE Connectivity Harrisburg, PA 17105-3608
mm	0 PLC ±.5 1 PLC ±0.5 2 PLC ±0.13 3 PLC ±0.013 4 PLC ±0.001	ANGLES	±.1	CHK	19NOV2012		
MATERIAL:		FINISH:		APVD	19NOV2012	NAME Ocean Side Feed Applicator	
WEIGHT:		SCALE		SHEET		RESTRICTED TO	
Customer Accessible Production Drawing		SCALE 1:2		SHEET 1 of 4		REV A	

LOC	DIST	REV	DATE	BY	APPV
A	66				

FEED TYPE

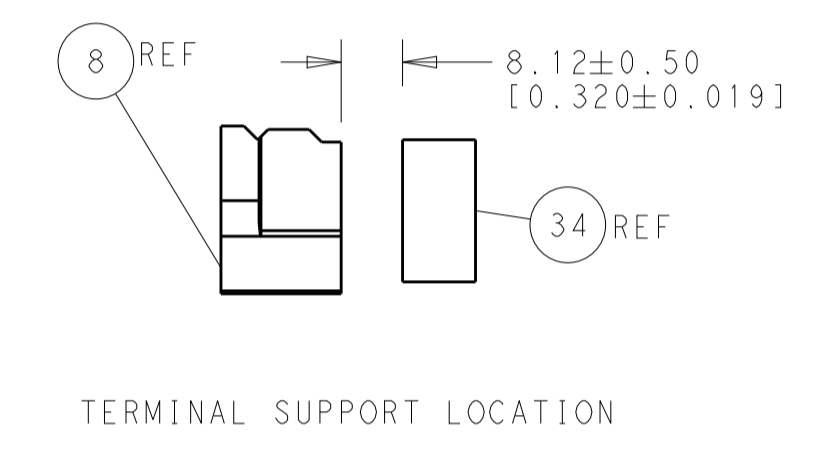
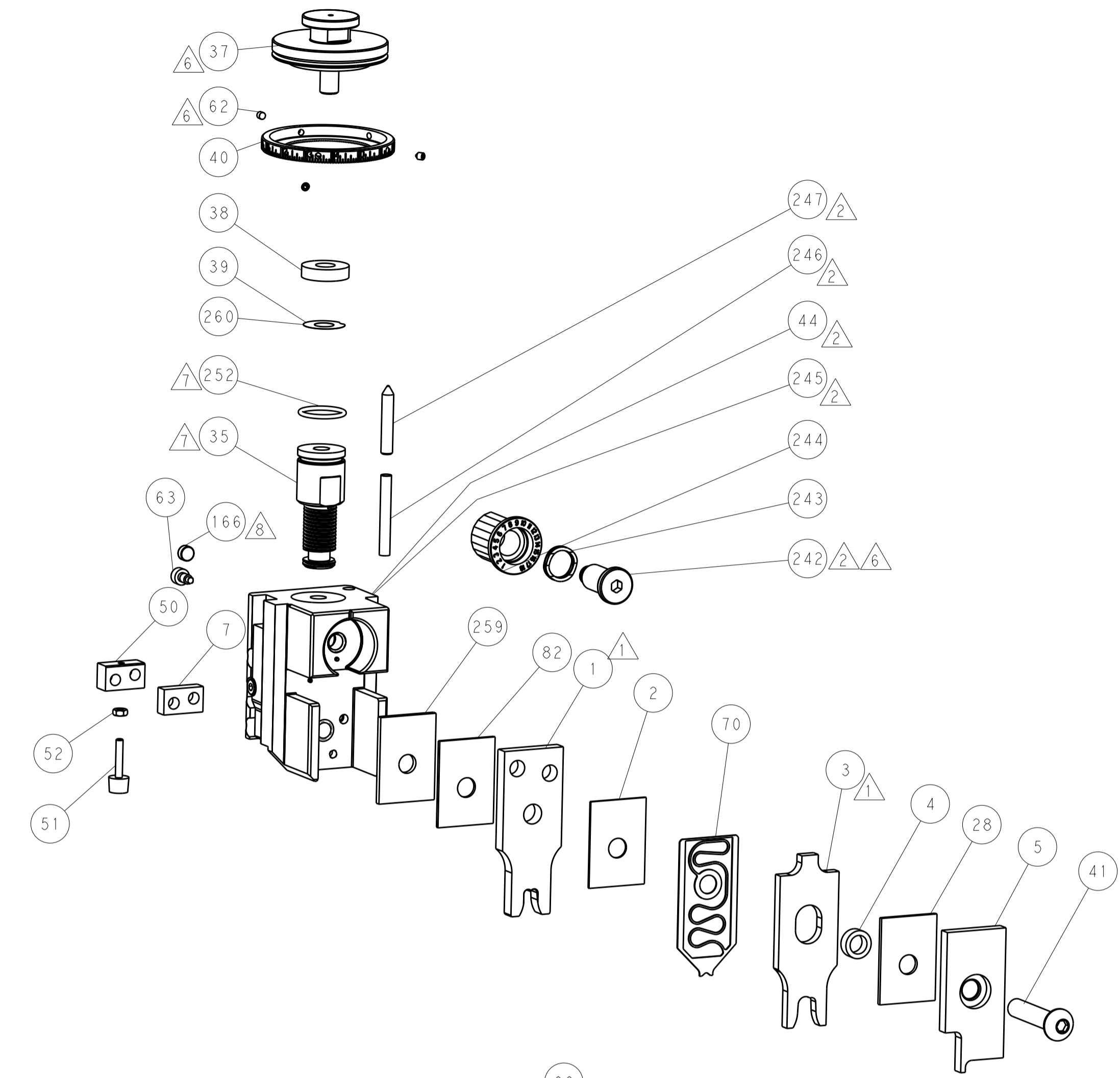
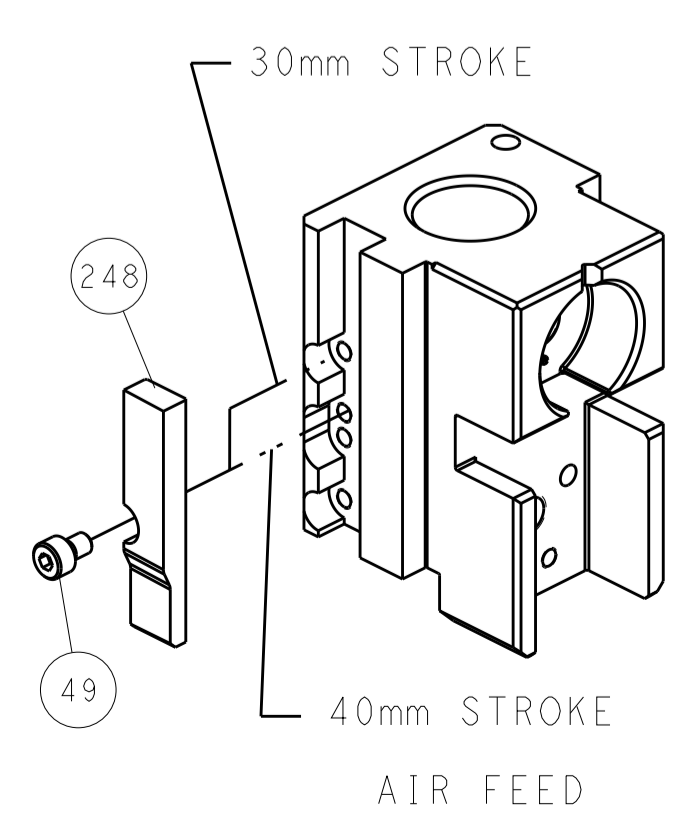
PNEUMATIC



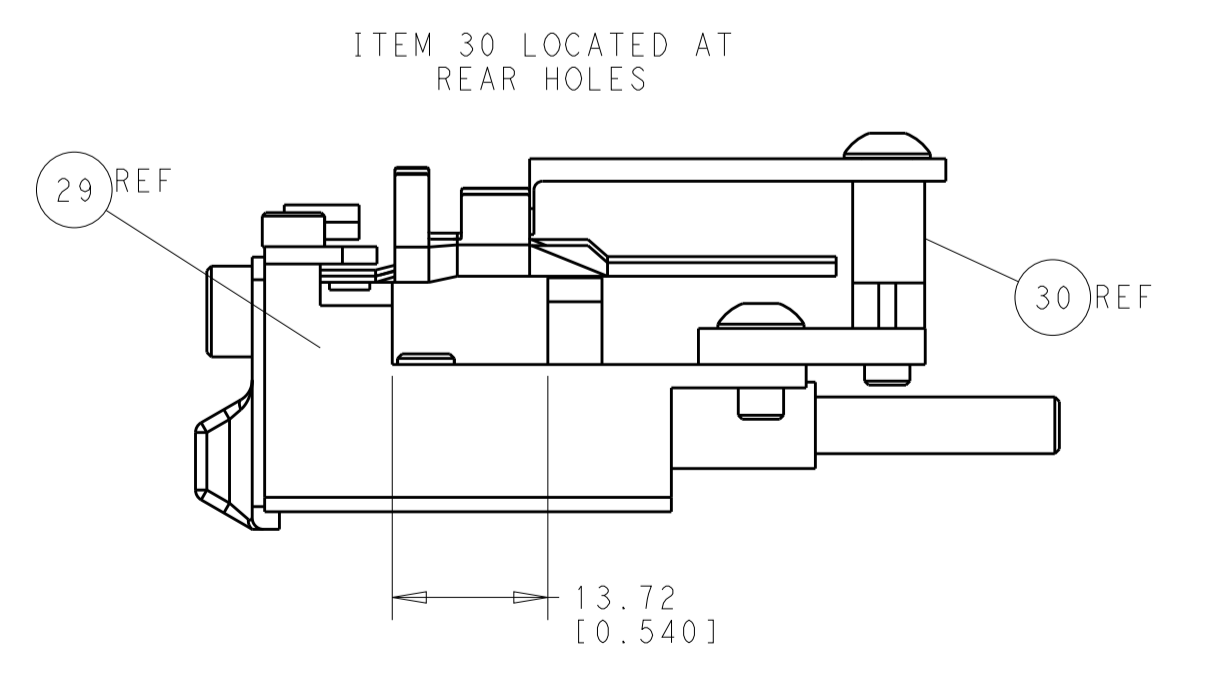
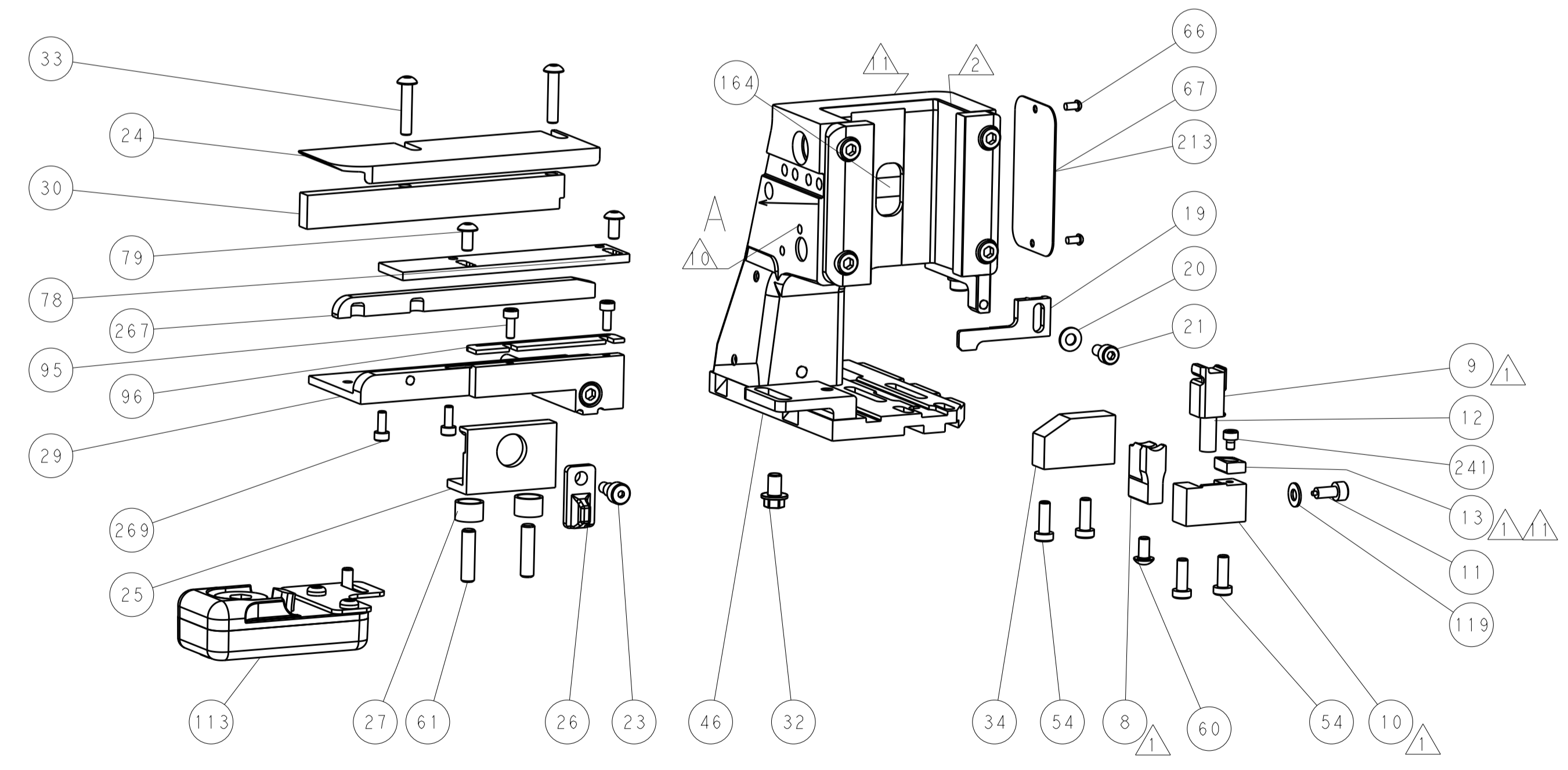
SERVO LATCH PLATE



CAM POSITION



TERMINAL SUPPORT LOCATION



FEED TRACK POSITION GUIDE BY WIRE BARREL

ATLANTIC VERSION
 Shown on sheets 1 of 4 & 2 of 4
 (Pacific version shown on sheets 3 of 4 & 4 of 4)

DIMENSIONS:		TOLERANCES UNLESS OTHERWISE SPECIFIED:		DWN R. HUANG 19NOV2012		TE Connectivity Harrisburg, PA 17105-3608	
mm	0 PLC ±0.5	1 PLC ±0.5	2 PLC ±0.13	3 PLC ±0.013	4 PLC ±0.001	NAME	Ocean Side Feed Applicator
ANGLES	FINISH	WEIGHT	SCALE	1:2	SHEET 2 OF 4	REV	A
MATERIAL		Customer Accessible Production Drawing		CAGE CODE DRAWING NO 00779 C=2266403		RESTRICTED TO	

PACIFIC VERSION TERMINATOR INTERFACE ADAPTER	PART NUMBER	REVISION	DESCRIPTION	FEED TYPE	APPLICATOR STYLE CONVERSION CHART						
					CONVERT TO	PART NUMBERS REQUIRED					
	2-2266403-2	A	FINE CRIMP HEIGHT ADJUST	PNEUMATIC	-	-	-	-	-	-	
					SERVO LATCH PLATE	2119951-1	-	8-2266403-5	1901094-3	-	2168400-6 (QUANTITY 2)
					SMART APPLICATOR	2161326-1	-	8-2266403-4	-	-	-
	2-2266403-5	A	FINE CRIMP HEIGHT ADJUST	SERVO LATCH PLATE Δ	-	-	-	-	-	-	-
2-2266403-7	A	FINE CRIMP HEIGHT ADJUST	NONE	-	-	-	-	-	-	-	
7-2266403-7	A	CRIMP TOOLING KIT	-	-	-	-	-	-	-	-	

APPLICATOR DATA		
CRIMP	SIZE	TYPE
WIRE	6.35 mm [.250]	F
INSUL	8.51 mm [.335]	OV
APPLICATOR INSTRUCTIONS 408-10389		

TERMINAL DATA: YAZAKI TERMINAL YAZAKI CRIMP SPECIFICATION			
TERMINAL NAME: 9.5MM RECEPTACLE			
WIRE STRIP LENGTH 7.50-8.50 mm [.295-.335 IN]		INSULATION DIAMETER RANGE \varnothing 4.60-5.80 mm [.181-.228 IN]	
TERMINAL APPLICATION SPECIFICATION 72-WT10-3209 Rev WA2114			
TERMINALS APPLIED Δ			
TE TERMINAL	YAZAKI TERMINAL	TE TERMINAL	YAZAKI TERMINAL
1572755-1	7116-3250	2-1203801-3	7116-3250

WIRE SIZE	CRIMP HEIGHT mm [INCH]	CRIMP HEIGHT REFERENCE SETTING Δ
8.00mm2	2.75 +/- 0.05 [.108 +/- .002]	5.9
6.00mm2	2.45 +/- 0.05 [.096 +/- .002]	6.7
5.00mm2	2.40 +/- 0.05 [.094 +/- .002]	9.2

- RECOMMENDED SPARE PARTS
- Δ GREASE BEARING SURFACES LIGHTLY
- 3. LUBRICATE DAILY PER THE APPLICATOR INSTRUCTION SHEET SUPPLIED WITH THE APPLICATOR.
- Δ APPLICATOR SPECIFIC DATA TO BE ENTERED INTO BLANK MEMORY CHIP AT ASSEMBLY. SEE BELOW FOR PART NUMBER:
 PNEUMATIC FEED WITH "SMART APPLICATOR" CONVERSION: 8-2266403-4
 SERVO FEED WITH "FINE CRIMP HEIGHT ADJUST": 8-2266403-5
- 5. ADJUSTMENT OF THE STRIPPER MAY BE REQUIRED WHEN MOVING THE APPLICATOR BETWEEN BENCH AND LEADMAKER APPLICATIONS.
- Δ APPLY PART NUMBER 1-23419-5 LOCTITE TO THREADS OF ITEMS 62.
 APPLY PART NUMBER 2-23419-6 LOCTITE TO THREADS OF ITEM 242.
- Δ GREASE THREADS, GROOVE AND O-RING ON ITEMS 139 & 152.
- Δ MAGNET MUST BE ORIENTED CORRECTLY IN ORDER TO PROPERLY ACTUATE THE COUNTER.
- Δ CRIMP HEIGHT REFERENCE SETTING WAS THE SETTING USED WHEN THE APPLICATOR WAS QUALIFIED AT THE FACTORY. ADJUSTMENT MAY BE NECESSARY WHEN RUNNING APPLICATOR IN THE FIELD.
- Δ TERMINAL PITCH NOT COMPATIBLE WITH MECHANICAL FEED.
- Δ TO CONVERT THE APPLICATOR TO A NON-CARRIER CUTTING STYLE, REMOVE ITEM 13 AND ATTACH TO THE LOCATION ON BACK SIDE OF THE HOUSING. REFER TO INSTRUCTION SHEET FOR ADDITIONAL INFORMATION.

***WARNING**
 ON INSTALLATION, SET WIRE DISC, ITEM 40 TO LARGEST WIRE SIZE SETTING. USE OF SETTINGS BELOW MINIMUM REQUIRED CRIMP HEIGHT SETTING WILL CAUSE DAMAGE TO CRIMP TOOLING.

-77	-27	-25	-22	PART NO	DESCRIPTION	ITEM NO
-	2	2	2	2168083-1	SCR, SKT HD CAP, RoHS, M3 X 8.0	269
-	1	1	1	1633782-2	FENCE	267
-	1	1	1	1803078-2	SPACER, PRECISION	259
-	1	1	1	2119782-1	FINE ADJUST HEAD ASM, PACIFIC STYLE	251
-	-	-	1	2119640-1	PUSH ROD, AIR FEED	250
-	-	-	1	2079988-1	BUSHING, LCH5-12, MISUMI	249
-	1	1	1	1-22279-3	SPRING, COMPRESSION	246
-	1	1	1	2119082-7	CAM, SNAIL, INSULATION ADJUSTMENT	244
-	1	1	1	2079764-1	WASHER, WAVE SPRING, CREST-TO-CREST	243
-	1	1	1	2119083-1	RETAINER, INSULATION DIAL	242
-	1	1	1	7-18023-7	SCR, SKT HD CAP M3 X 4.0	241

PACIFIC VERSION
 Shown on sheets 3 of 4 & 4 of 4
 (Atlantic version shown on sheets 1 of 4 & 2 of 4)

SET UP GAUGE	LOC	DIST	REVISIONS			
2119599-1	A	66	REV	DATE	BY	APPV
			-	SEE SHEET 1	-	-

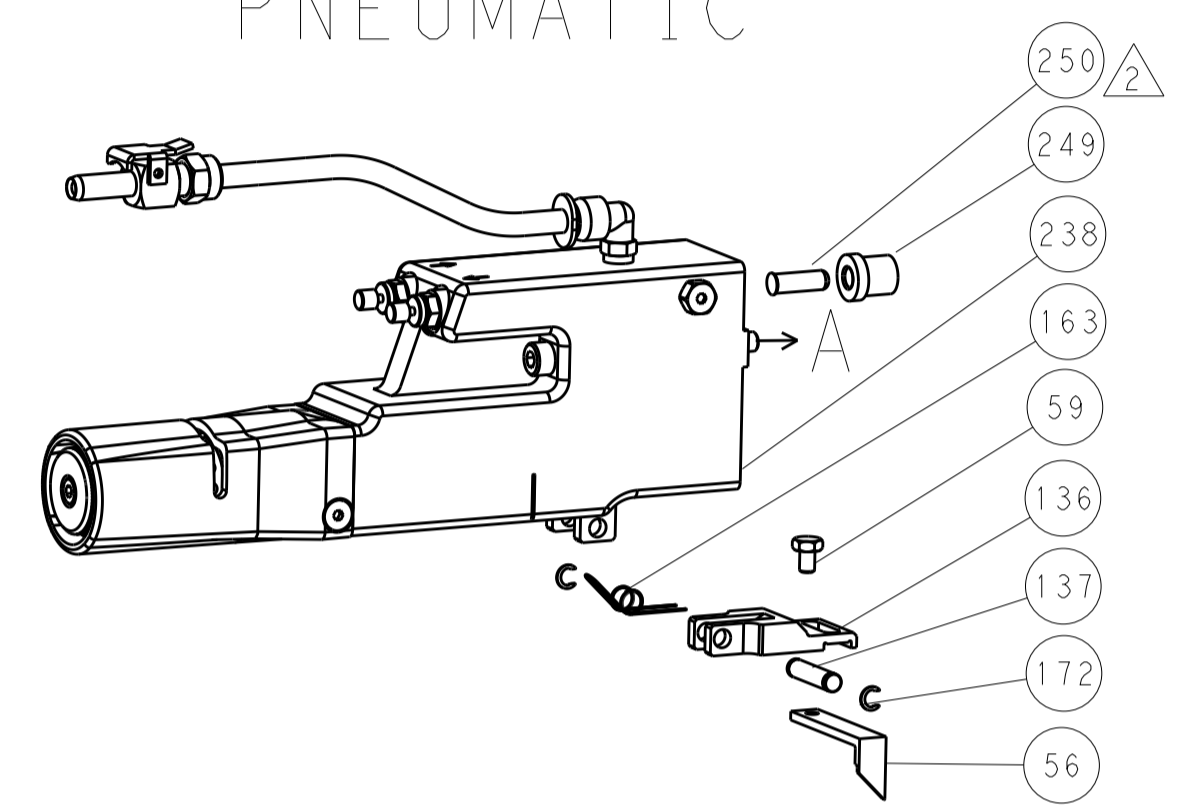
REV	DATE	BY	APPV	DESCRIPTION	ITEM NO	
-	-	2	-	2168400-6	SHCS, LOW HEAD, RoHS, M5 X 16	240
-	-	-	1	2063440-2	AIR FEED MODULE	238
-	-	-	1	2119740-2	TAG, IDENTIFICATION	213
-	-	-	1	1901094-3	SPACER, FEEDER	198
-	-	-	2	21045-3	RING, RETAIN, EXTERN, 3/16 CRESCENT	172
-	1	1	1	994969-1	MAGNET, RARE EARTH HIGH ENERGY	166
-	REF	REF	REF	994970-2	COUNTER, MAGNETIC	164
-	-	-	1	240638-1	SPRING, FEED FINGER	163
-	1	1	1	8-21084-1	O-RING, .801 ID, .070 DIA, MAT.	152
-	-	-	1	2119641-2	FEED CAM, AIR FEED	151
-	1	1	1	2119798-2	DETENT PIN	145
-	1	1	1	2079383-8	SCR, BHSC, RoHS (M4 X 16)	144
-	4	4	4	2168400-5	SHCS, LOW HEAD, RoHS, M4 X 20	143
-	1	1	1	1-2119656-0	APPLICATOR BASIC ASSEMBLY, SF	141
-	1	1	1	2161312-1	RAM, STEPPED, ASIAN STYLE, SIDE FEED	140
-	1	1	1	2119092-2	BOLT, ADJUSTMENT	139
-	-	-	1	3-23627-7	PIN, RETAIN, GRVD, 3/16 X .854	137
-	-	-	1	2119799-1	HOLDER, FEED FINGER, AF	136
-	-	REF	-	SEE NOTE 4	MEMORY CHIP, PROGRAMMED	135
-	-	-	1	1633743-1	SERVO FEED LATCH ASM	133
-	1	1	1	1-18028-2	WASHER, FLAT, REG M4	119
-	-	REF	-	2119944-1	FEED FINGER ASSEMBLY, SF	117
-	1	1	1	2119955-1	ASSY, LUBRICATOR, SIDE FEED	113
-	1	1	1	1-690438-0	FRONT STRIP GUIDE	96
-	2	2	2	2168083-1	SCR, SKT HD CAP, RoHS, M3 X 8.0	95
-	1	1	1	1-455888-1	SPACER, CRIMPER	82
-	2	2	2	2079383-4	SCR, BHSC, RoHS (M4 X 8)	79
-	1	1	1	1803096-1	EXTENSION PLATE	78
-	1	1	1	2119956-1	DOCUMENTATION PACKAGE	71
-	1	1	1	2119791-5	DEPRESSOR, WIRE	70
-	1	-	1	2119740-1	TAG, IDENTIFICATION	67
-	2	2	2	2168078-1	SCREW, DRIVE, RH, RoHS, 2 x .188	66
-	1	1	1	2119793-1	LIMITER, ADJUSTMENT BOLT	63
-	3	3	3	992763-5	SCR, SET, SOC, CONE POINT, M3 X 4.0	62
-	2	2	2	2-18032-5	SCR, SET, FLT POINT M5 X 20.0	61
-	-	-	1	5-18022-5	SCR, HEX HD CAP, M4 X 6.0	59
-	-	-	1	1338683-8	FEED PAWL	56
-	2	2	2	2168083-8	SCR, SKT HD CAP, RoHS, M4 X 16	53
-	1	1	1	5018030-1	NUT, HEX, REG, RoHS, M3	52
-	1	1	1	811242-5	BUMPER, HOLD DOWN	51
-	1	1	1	690753-2	SPACER, TONKER	50
-	-	-	1	18023-9	SCR, SKT HD CAP M4 X 6.0	49
-	1	1	1	1-2079383-5	SCR, BHSC, RoHS (M8 X 40)	41
-	1	1	1	2119645-1	DISC, NUMBERED FA WIRE ADJUSTMENT	40
-	1	1	1	2119957-1	APPLICATOR SHIM PACK	39
-	1	1	1	2119644-2	RAM WASHER, PRECISION	38
-	1	1	1	1-1752356-8	SUPPORT, TERMINAL	34
-	2	2	2	2079383-5	SCR, BHSC, RoHS (M4 X 20)	33
-	1	1	1	2161328-1	HEX HEAD, FLANGED, M5 X 8mm LONG	32
-	1	1	1	1320908-8	SPACER, STRIP GUIDE	30
-	1	1	1	2119959-3	ASSEMBLY, STRIP GUIDE	29
-	1	1	1	1-455888-5	SPACER, CRIMPER	28
-	2	2	2	22283-1	SPRING, COMPRESSION	27
-	1	1	1	356835-1	LEVER, DRAG RELEASE	26
-	1	1	1	240792-1	DRAG, TERMINAL	25
-	1	1	1	1320928-6	STRIP GUIDE	24
-	1	1	1	980371-4	SCR, SKT HD SHLDR 5.0 DIA X 6.0	23
-	1	1	1	2168083-2	SCR, SKT HD CAP, RoHS, M4 X 8.0	21
-	1	1	1	1-18028-2	WASHER, FLAT, REG M4	20
-	1	1	1	2119533-1	STRIPPER, SIDE FEED	19
-	1	1	1	2119806-1	INSERT, SHEAR	13
-	1	1	1	3-22280-3	SPRING, COMPRESSION	12
-	1	1	1	1-356885-3	STOP, SHEAR	11
-	1	1	1	2119805-1	SHEAR HOLDER, FRONT	10
-	1	1	1	454276-5	FLOATING SHEAR, FRONT	9
-	1	1	1	2-1633930-9	ANVIL, COMBINATION	8
-	1	1	1	1-240641-4	SPACER	7
-	-	-	-	-	-	6
-	1	1	1	1-2119757-2	DEPRESSOR, SHEAR	5
-	1	1	1	238011-3	BLOCK, CRIMPER SPACER	4
-	1	1	1	6-2119785-4	CRIMPER, INSULATION OVERLAP PREMIUM	3
-	1	1	1	455888-7	SPACER, CRIMPER	2
-	1	1	1	456432-9	CRIMPER, WIRE	1

DIMENSIONS: mm		TOLERANCES UNLESS OTHERWISE SPECIFIED:		DATE: 19NOV2012	CHK: H. HUANG	DATE: 19NOV2012	TE Connectivity Harrisburg, PA 17105-3608
		0 PLC ±.05 1 PLC ±.05 2 PLC ±.05 3 PLC ±.05 4 PLC ±.05 ANGLES ±.0001		APVD: S. XI	DATE: 19NOV2012	NAME: Ocean Side Feed Applicator	
MATERIAL:		FINISH:		WEIGHT:	SCALE: 1:2	SHEET 3 OF 4	REV A

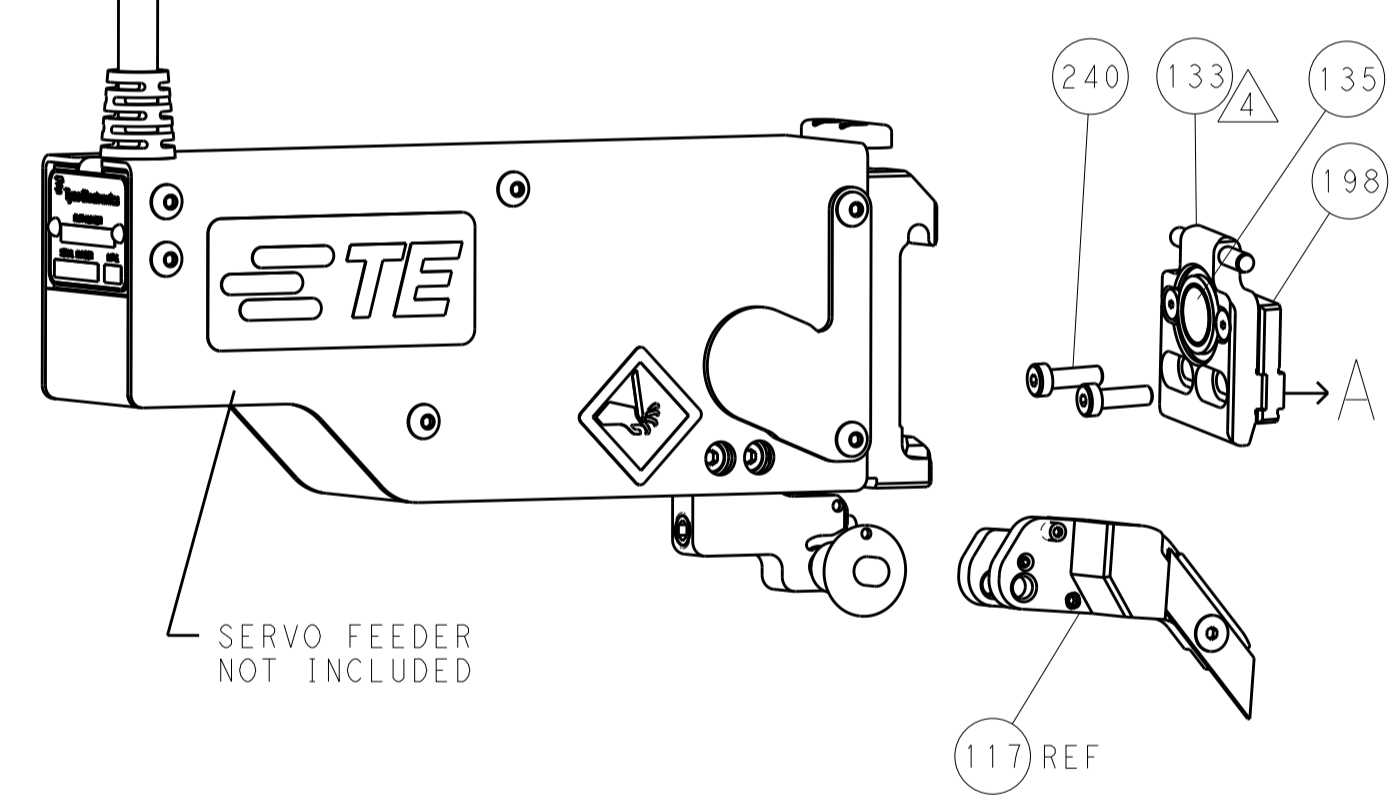
LOC		DIST		REVISIONS			
A	66	P	LTM	DESCRIPTION	DATE	DWN	APVD
		-		SEE SHEET 1			

FEED TYPE

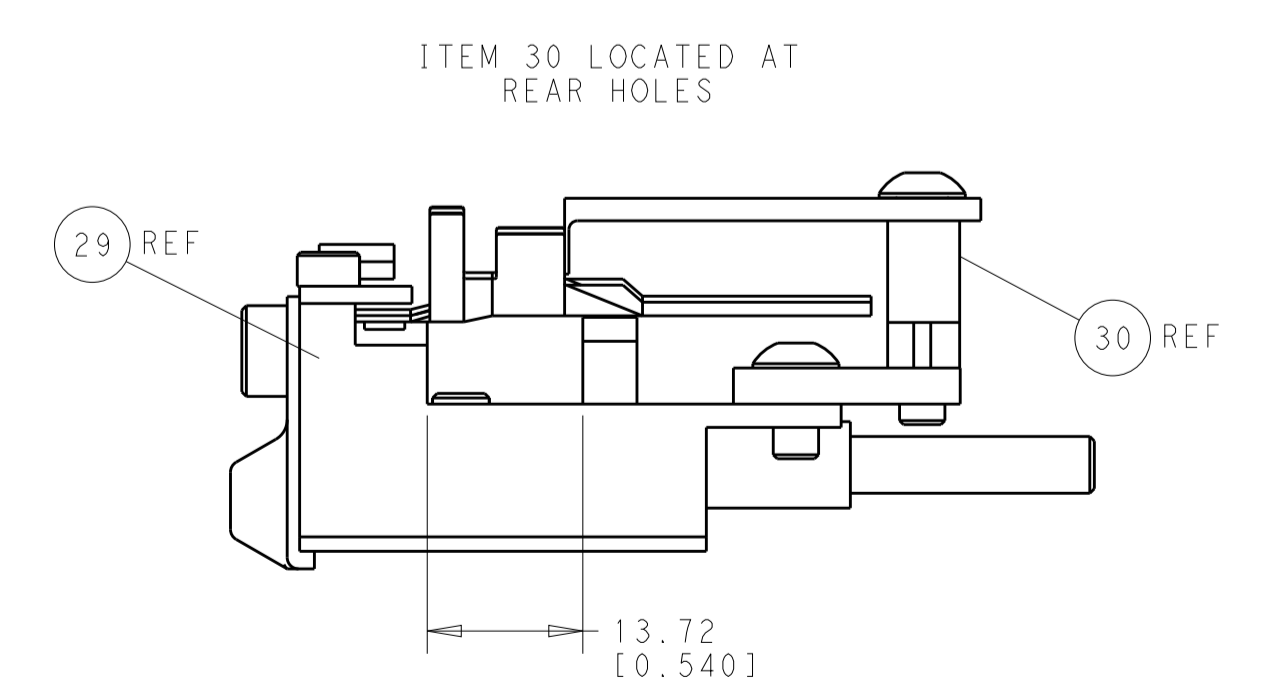
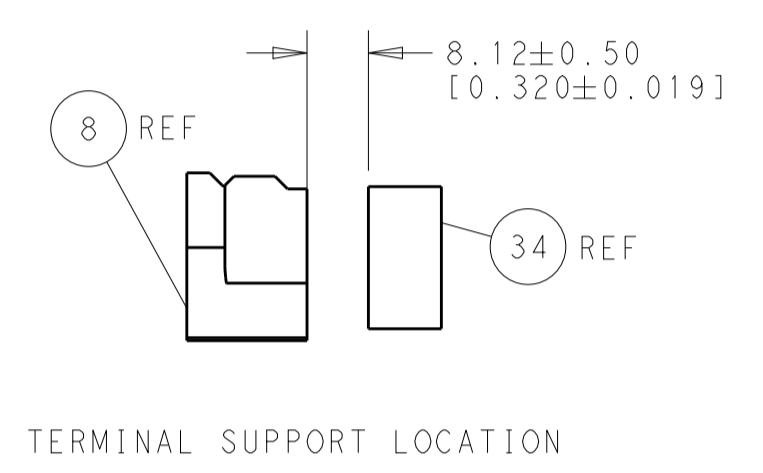
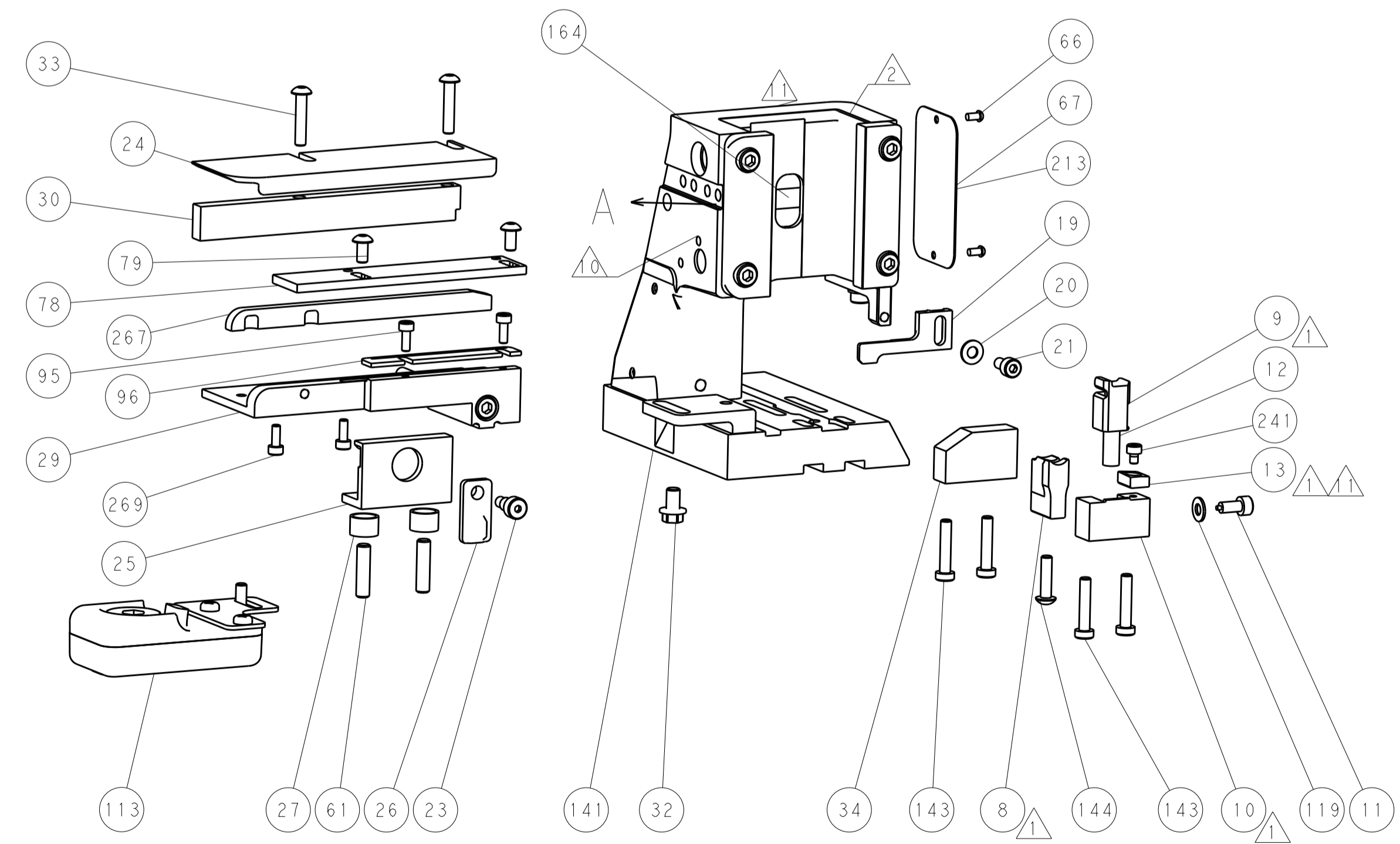
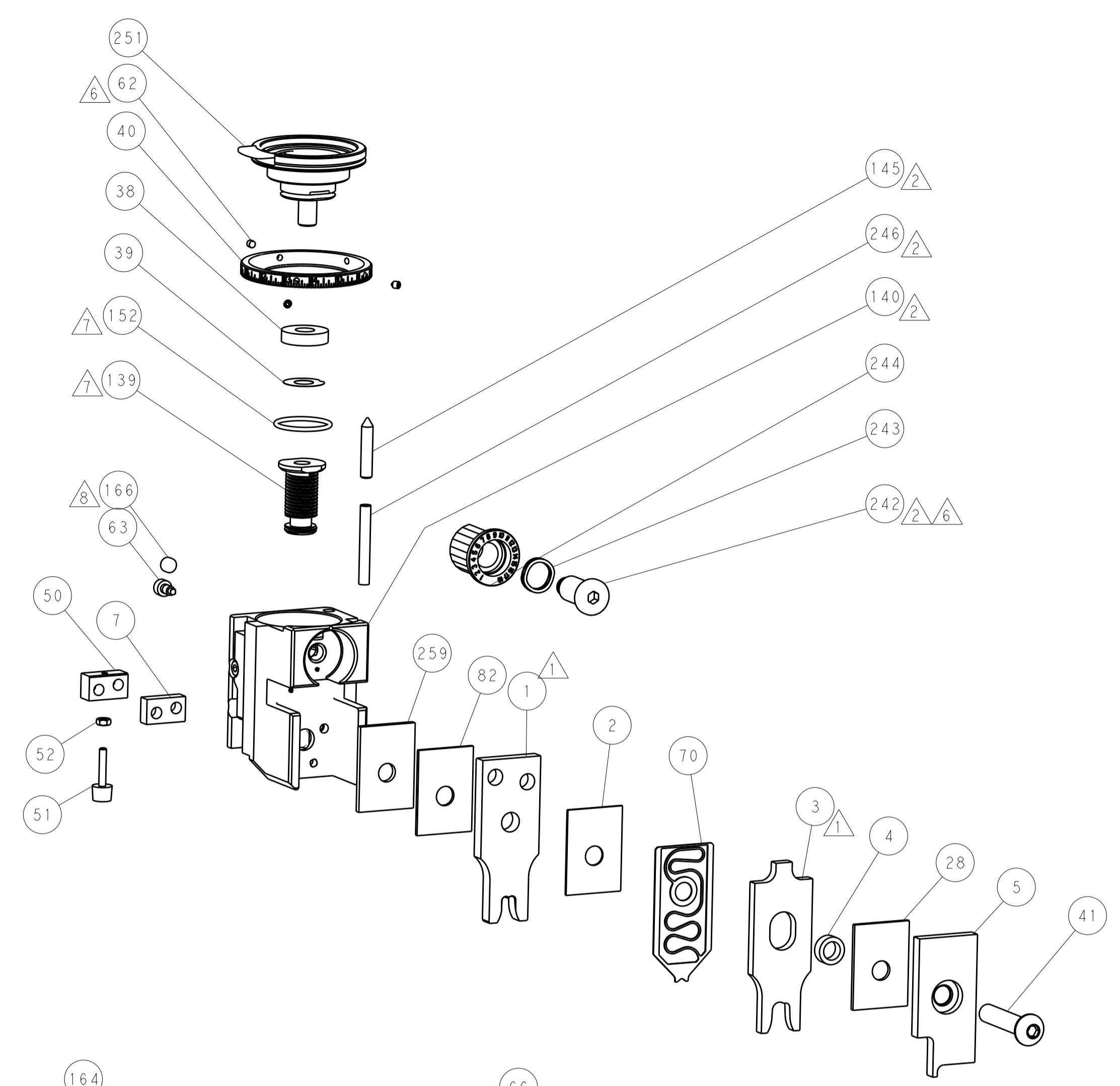
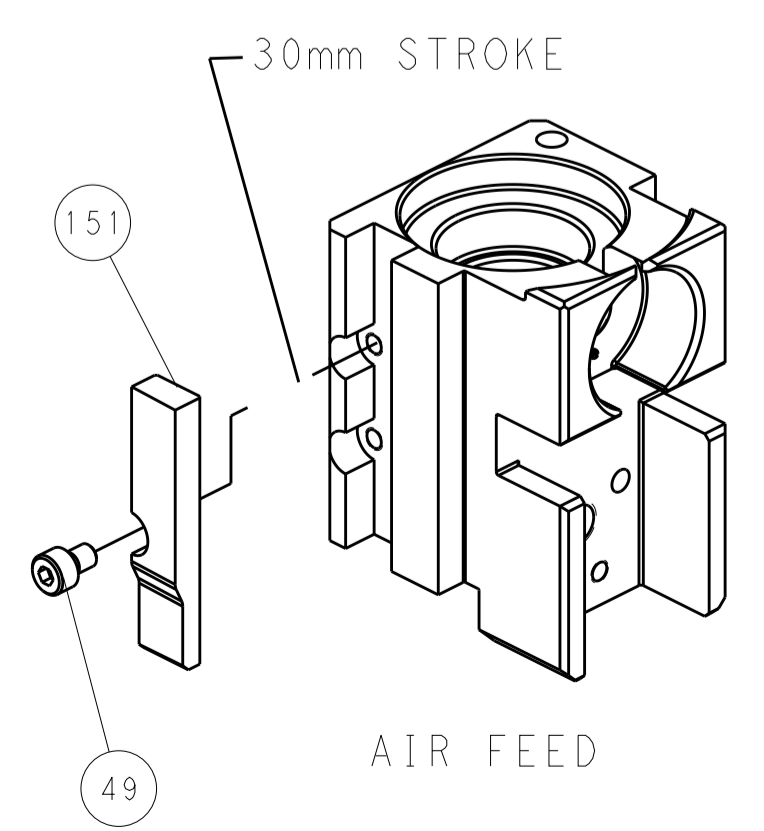
PNEUMATIC



SERVO LATCH PLATE



CAM POSITION



PACIFIC VERSION
 Shown on sheets 3 of 4 & 4 of 4
 (Atlantic version shown on sheets 1 of 4 & 2 of 4)

DIMENSIONS:		TOLERANCES UNLESS OTHERWISE SPECIFIED:		DWN: R. HUANG 19NOV2012		TE Connectivity	
mm	0 PLC ±0.5	1 PLC ±0.5	2 PLC ±0.13	3 PLC ±0.013	4 PLC ±0.001	APVD: S. XI 19NOV2012	Harrisburg, PA 17105-3608
MATERIAL:		FINISH:		NAME: Ocean Side Feed Applicator		RESTRICTED TO:	
Customer Accessible Production Drawing		SCALE: 1:2		SHEET 4 OF 4		REV A	