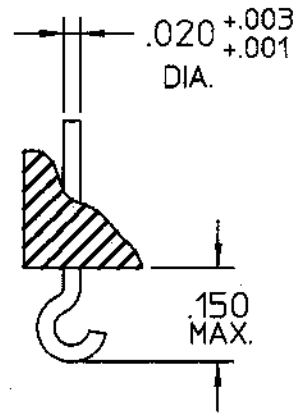


.096 ±.005 DIA.
4 HOLES

14 HOOKS



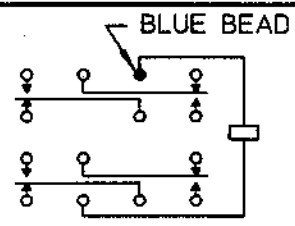
TOL. = .010

REV. 0

DCO 142865

COIL: @ 25°C	720 OHMS ±10%
RESISTANCE	
NOMINAL VOLTAGE	26.5 VDC
MUST OPERATE	13.5 VDC
MUST RELEASE	8.1 VDC MAX., 1.5 VDC MIN.

CUSTOMER DATA SHEET



TERMINAL VIEW

ENVIRONMENT:

VIBRATION:	10	CPS TO	3000	CPS @	30	g's
SHOCK	75	g's	6	MS. DURATION		
TEMPERATURE	-65	°C TO	+125	°C		

NOTES:

OPERATE	4 MS MAX.
RELEASE	4 MS MAX.
CONTACT STABILIZATION	2.5 MS MAX.

CONTACT RATING: LOW LEVEL TO
2 AMPS 28 VDC RESISTIVE
100,000 OPERATIONS

DR. B.D. 4/9/01 CK. *[Signature]*



CUST. QPL
CUST. NO. M39016/14-001M REV. _____

"3SBH" RELAY

3SBH1138A2