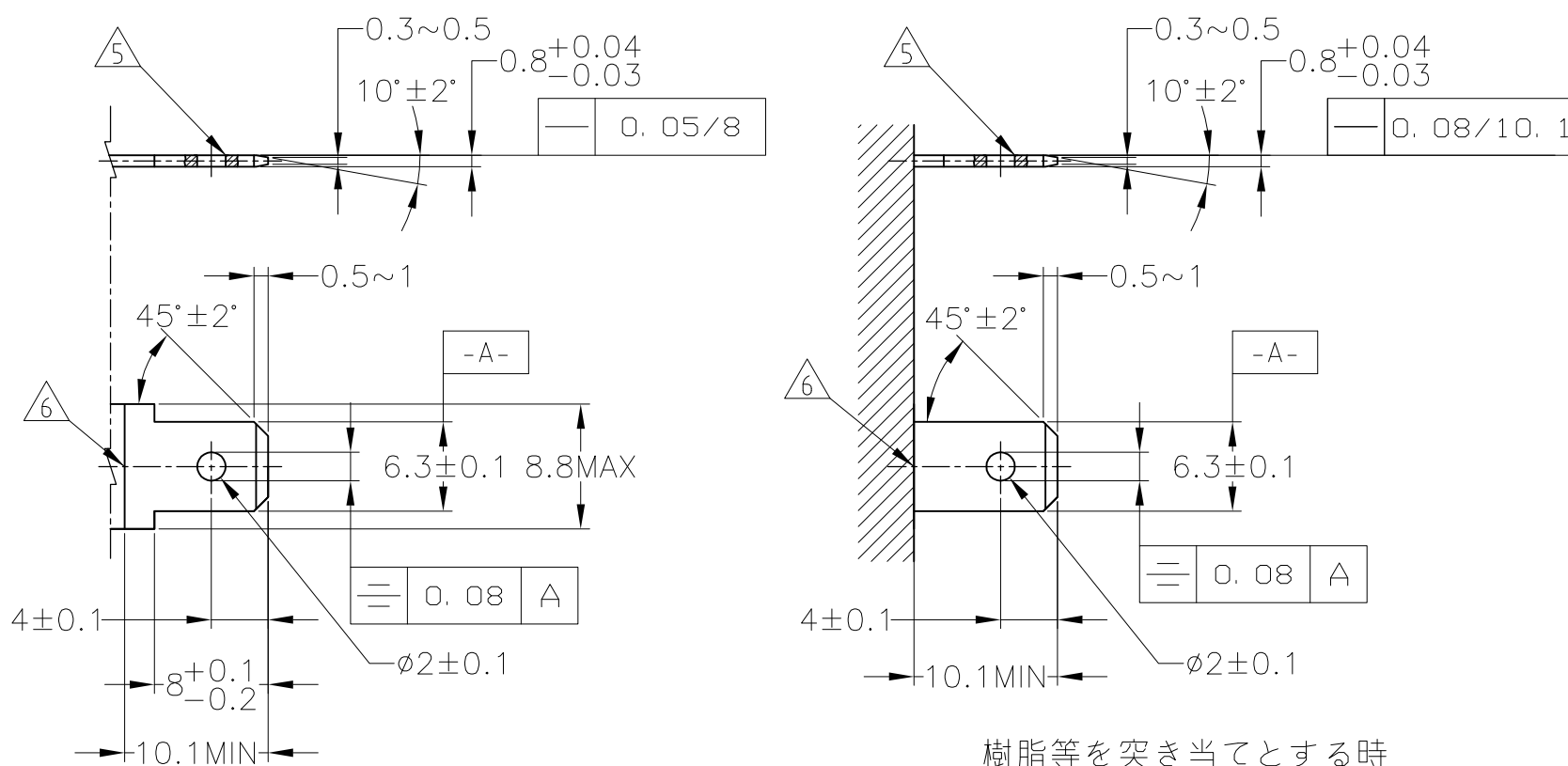
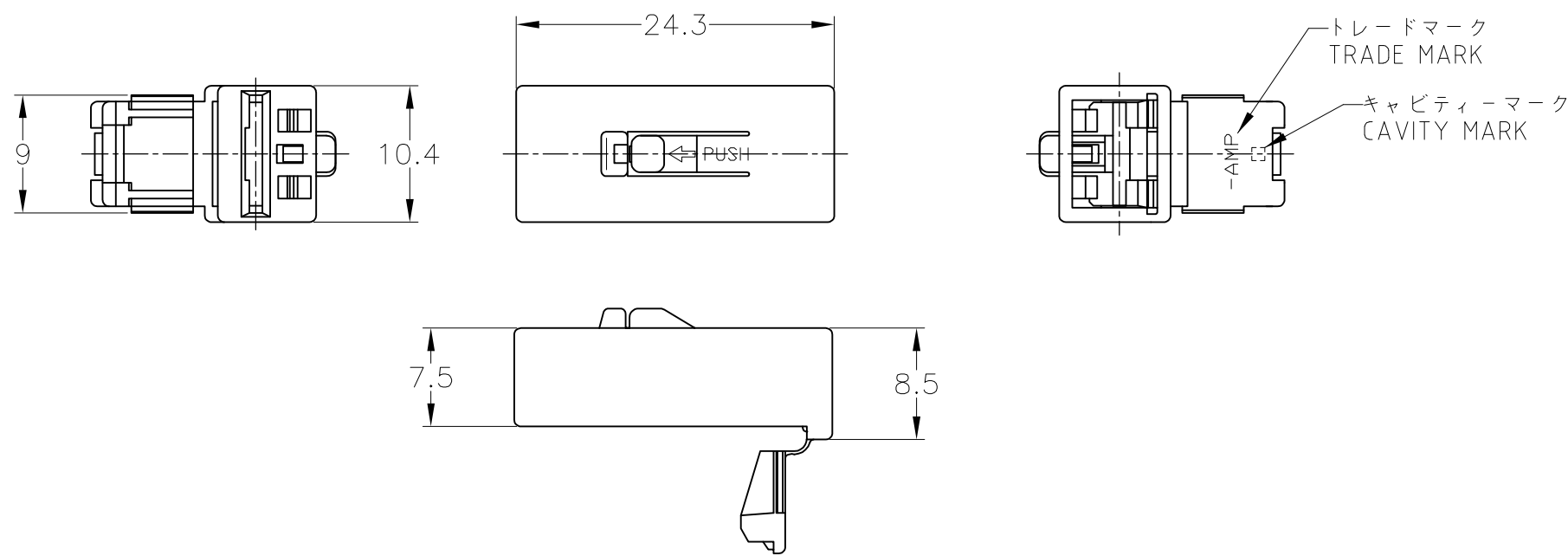


THIS DRAWING IS UNPUBLISHED. RELEASED FOR PUBLICATION
 © COPYRIGHT - By - ALL RIGHTS RESERVED.

| LOC | DIST | REVISIONS | | | | | |
|-----|------|-----------|-----|---------------------------|---------|-----|------|
| J | - | P | LTR | DESCRIPTION | DATE | DWN | APVD |
| | | | C1 | REVISED PER ECO-11-005140 | 28MAR11 | RK | HMR |



1. PRODUCT SPEC NO. 108-5150
 2. APPLICATION SPEC NO. 114-5060
 3. CUSTOMER MANUAL NO. CM154J
 4. APPLIDE CONTACT PN 170452, 170454
 - △ WORKMANSHIP OF THE TAB HOLE EDGES MUST BE SUCH THAT EDGES MUST BE FREE FROM THE BURRS, WITH THE SHEAR DROOP NOT EXCEEDING 0.1 MILLIMETER
 - △ CLEARANCE LINE FOR TAB TO MATE WITH COUNTERPART HOUSING
1. 製品規格番号：108-5150
 2. 取付適用規格番号：114-5060
 3. 取扱説明書番号：CM-154J
 4. 適用コンタクト型番：170452, 170454
 - △ タブ穴加工の際、バリがなく穴のダレは0.1を越えないこと
 - △ この部分迄ハウジングが挿入されるための必要スペース

| | |
|---------------|------------------|
| 茶 / BROWN | 174090-3 |
| 黒 / BLACK | 174090-2 |
| 自然色 / NATURAL | 174090-1 |
| 色 / COLOR | 型番 / PART NUMBER |

タブ寸法推奨図
 RECOMMENDED MATING TAB DESIGN

仕上げ：メッキなし又は錫メッキ
 FINISH: PLAIN OR ELECTRO-TIN
 材料：7/3黄銅 0.8t JIS-3100C-2600P-1/2H
 MATERIAL: 70/30 BRASS, t=0.8

| 一般公差 (GENERAL TOLERANCE) | |
|--------------------------|-------|
| 10以下 | ±0.2 |
| 10を超え 30以下 | ±0.25 |
| 30を超え 100以下 | ±0.3 |
| 角 度 | ±3° |

| | |
|--|--|
| THIS DRAWING IS A CONTROLLED DOCUMENT. | |
| DIMENSIONS: mm | TOLERANCES UNLESS OTHERWISE SPECIFIED: |
| | 0 PLC ±- |
| | 1 PLC ±- |
| | 2 PLC ±- |
| | 3 PLC ±- |
| | 4 PLC ±- |
| ANGLES ±- | FINISH ±- |
| MATERIAL 66 ナイロン 66 NYLON | |

| | | |
|-------------------------|--------------------------------------|---------------|
| DWN T.SHINOHARA 17AUG09 | STE TE Connectivity | |
| CHK K.BETSUI 17AUG09 | | |
| APVD K.BETSUI 17AUG09 | NAME | |
| PRODUCT SPEC | 250 POSITIVE LOCK 1POS. PLUG HOUSING | |
| APPLICATION SPEC | LOW PRO TYPE CONNECTOR | |
| SEE NOTE 1 | SIZE | CAGE CODE |
| SEE NOTE 2 | A3 | 00779 |
| WEIGHT - | DRAWING NO | RESTRICTED TO |
| CUSTOMER DRAWING | C-174090 | - |
| SCALE 2:1 | SHEET 1 OF 1 | REV C1 |