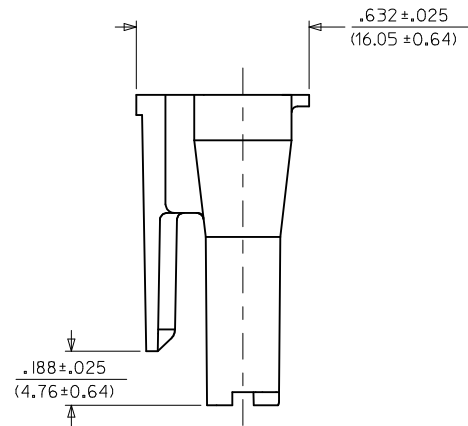
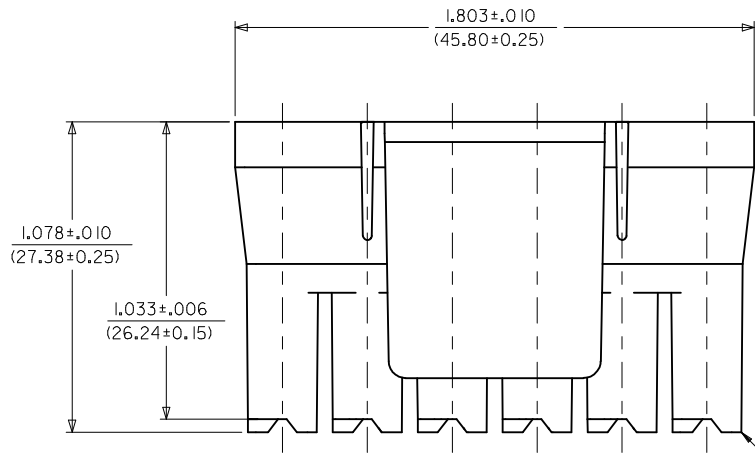


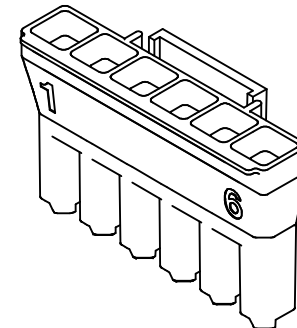
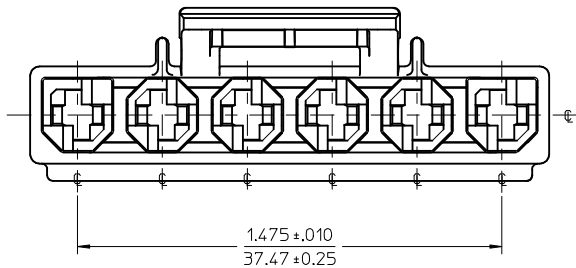
ITEM NO	MATERIAL	COLOUR
44441-2006	UL94V-0 NYLON	BLACK
44441-3006	UL94V-2 NYLON IEC 60335-1 GLOW WIRE CAPABLE	BLACK

**NOTES:**

1. MATERIAL: SEE CHART
2. THIS CONNECTOR HOUSING FOR USE WITH 43375-\*\*\*\* TERMINALS.
3. THIS CONNECTOR HOUSING WILL MATE TO A-43160-\*\*\*\*6, 43180-\*\*\*\*6, AND 43680-\*\*\*\*6 HOUSINGS.
4. PRODUCT SPECIFICATION: PS-44441-9999.
5. PACKAGING: PK-44441-001.
6. PART CONFORMS TO CLASS 'B' REQUIREMENTS OF COSMETIC SPECIFICATION PS-45499-002 BUT, MEETS CLASS 'C' REQUIREMENTS FOR BUBBLES, SINK AND DISCOLORATION.



CIRCUIT 1



<b>CORRECT TOLERANCE</b> EC NO: UCP2014-5424 DRWN:JFOX 2014/06/26 CHKD:ANDERSON 2014/06/26 APPR:FSMITH 2014/07/09	QUALITY SYMBOLS 	GENERAL TOLERANCES (UNLESS SPECIFIED)		DIMENSION STYLE <b>IN/MM</b>	SCALE <b>3:1</b>	DESIGN UNITS <b>INCH</b>	THIRD ANGLE PROJECTION
		4 PLACES ± --- ± ---	DRAWN BY GC	DATE 1995/01/09	TITLE <b>6-CIR. RECEPT. HOUSING</b> <b>.125/(3.18)X.020/(0.51)</b> <b>SABRE - TPA</b>		
		3 PLACES ± --- ±.010	CHECKED BY KBP	DATE 1995/01/09			
		2 PLACES ± 0.25 ±.014 1 PLACE ± 0.35 ± --- 0 PLACE ± ±	APPROVED BY DATE	MATERIAL NO. <b>SEE CHART</b>		DOCUMENT NO. <b>SD-44441-2006</b>	SHEET NO. <b>1 OF 1</b>
D1	DESCRIPTION	ANGULAR ±1/2° DRAFT WHERE APPLICABLE MUST REMAIN WITHIN DIMENSIONS		SIZE 	THIS DRAWING CONTAINS INFORMATION THAT IS PROPRIETARY TO MOLEX INCORPORATED AND SHOULD NOT BE USED WITHOUT WRITTEN PERMISSION		