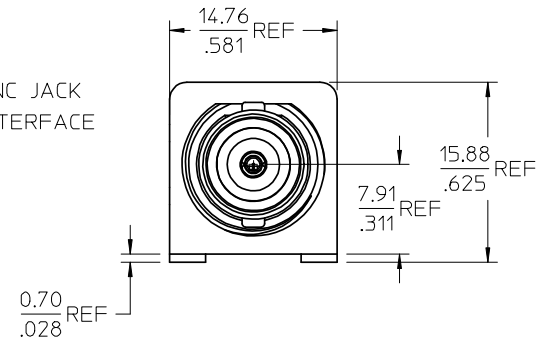


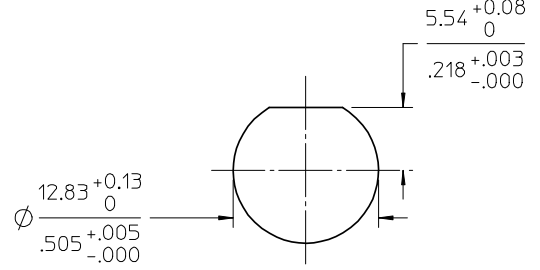
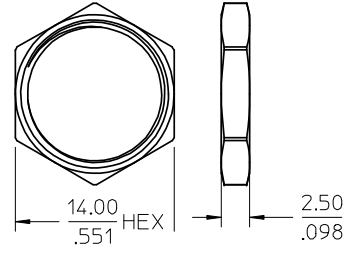
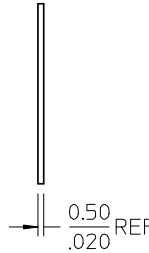
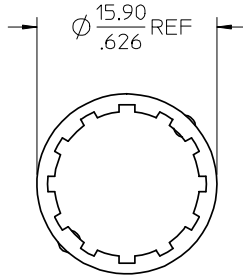
BNC JACK INTERFACE



CONSTRUCTION:  
 BODY ----- ZINC ALLOY  
 HOUSING ----- POLYESTER BUTYLENE TEREPHTHALATE (BLACK)  
 CENTER CONTACT -- PHOSPHOR BRONZE  
 DIELECTRIC ----- POLYPROPYLENE (94V2)  
 MOUNTING POST --- BRASS  
 SOLDER TAIL ----- COPPER OVER STEEL WIRE  
 LOCK WASHER ----- PHOSPHOR BRONZE  
 NUT ----- BRASS

FINISH:  
 BODY ----- NICKEL  
 CENTER CONTACT -- GOLD  
 SOLDER TAIL ----- TIN  
 MOUNTING POST --- TIN  
 LOCK WASHER ----- NICKEL  
 NUT ----- NICKEL

PACKAGING ----- TRAY  
 PART # 73131-5003



RECOMMENDED MOUNTING HOLE  
 MAX PANEL THICKNESS: 5.5MM  
 RECOMMENDED MOUNTING TORQUE:  
 5 INCH-POUNDS MAX

PS-73598-0050	LOCKWASHER ELEC/MECH PERFORMANCE
SPECIFICATION	DESCRIPTION

CHG: REDREW IN SD & LOADED INTO WM, CORRECTED DIMENSIONS. EC NO: URF2008-0504 DRWN:ROBERTSON 2008/04/04 CHKD: 2008/04/04 APPR:JWIENER 2008/04/07	DESCRIPTION	QUALITY SYMBOLS	GENERAL TOLERANCES (UNLESS SPECIFIED)	DIMENSION STYLE	SCALE	DESIGN UNITS	THIRD ANGLE PROJECTION
		▼=0 ▽=0	mm INCH	MM/IN	METRIC	☉	

4 PLACES ± --- ± ---	3 PLACES ± --- ± ---	2 PLACES ± --- ± ---	1 PLACE ± --- ± ---	ANGULAR ± 2 °
DRAFT WHERE APPLICABLE MUST REMAIN WITHIN DIMENSIONS				

DRAWN BY IRIS WANG	DATE 1991/01/21	TITLE BNC, JACK PCB VERTICAL 50 OHM BNC-JACK
CHECKED BY	DATE	MOLEX INCORPORATED
APPROVED BY	DATE	
MATERIAL NO. 731315003	DOCUMENT NO. SD-73131-5003	SHEET NO. 1 OF 1
THIS DRAWING CONTAINS INFORMATION THAT IS PROPRIETARY TO MOLEX INCORPORATED AND SHOULD NOT BE USED WITHOUT WRITTEN PERMISSION		