

Contact assignment:

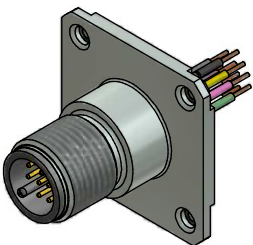
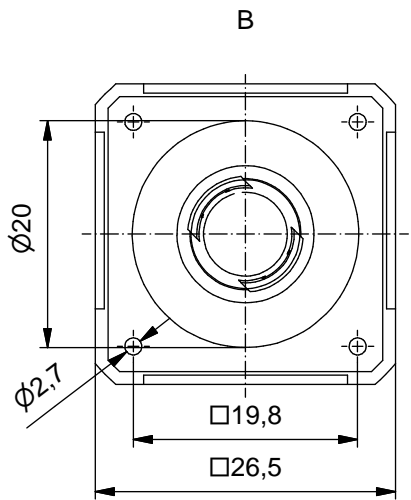
- | | |
|------------|----------------|
| 1 — brown | 7 — black |
| 2 — blue | 8 — grey |
| 3 — white | 9 — red |
| 4 — green | 10 — violet |
| 5 — pink | 11 — grey-pink |
| 6 — yellow | 12 — red-blue |

Technical specification:

- | | |
|-------------------------------------|---------------------------|
| Rated voltage:
IEC 61076-2-101 | 30 V |
| Current rating:
IEC 61076-2-101 | 1,5 A at 40°C |
| Insulation resistance:
IEC 60512 | >=100 MΩ |
| Pollution degree:
IEC 60664-1 | 3/2 |
| Degree of protection:
IEC 60529 | IP 67, in mated condition |
| Temperature range:
IEC 60664-1 | -30°C ... +80°C |
| Mating cycles:
IEC 60512-9a | >=100 |

Materials:

- | | |
|------------------|---------------------------|
| Contact: | CuZn |
| Contact plating: | Nickel, gold plated |
| Contact carrier: | PBT GF, UL 94 |
| Sealing: | NBR |
| Socket housing: | CuZn, nickel plated |
| Grouting: | Polyurethane-resin, UL 94 |



Part no:	Description:	Pos	Length L:	Wire:
43-01354	SAL - 12 - FSV12 - 0,5 - 26	12	0,5m	AWG 24 PVC, UL
43-xxxxx	SAL - 12 - FSV12 - ... - 26	12	x	

DO NOT ALTER CAD DRAWING BY HAND Directive 2002/95/EC RoHS compliant	Index: c 15.08.11 fro Ä3914 Data sheet revised, technical specification changed, Sleeve side B removed	dim. in mm	title: Male socket M12x1 with wire, with square										
	tolerance of wire: L ≤ 0,5m: L + 20mm L > 0,5m: L + 4%		<table border="1"> <tr> <td></td> <td>date</td> <td>name</td> </tr> <tr> <td>drawn</td> <td>07.10.08</td> <td>Fromm</td> </tr> <tr> <td>appd.</td> <td>07.10.08</td> <td>Mankopf</td> </tr> </table>		date	name	drawn	07.10.08	Fromm	appd.	07.10.08	Mankopf	dwg no: 43K1A769
		date	name										
	drawn	07.10.08	Fromm										
appd.	07.10.08	Mankopf											
general tolerance: 0 ± 0,50mm 0,0 ± 0,25mm 0,00 ± 0,10mm		part no:											
<small>THIS DRAWING MAY NOT BE COPIED OR REPRODUCED IN ANY WAY, AND MAY NOT BE PASSED ON TO A THIRD PARTY WITHOUT WRITTEN PERMISSION. OWNERSHIP AND COPYRIGHT OF CONEC GmbH</small>													