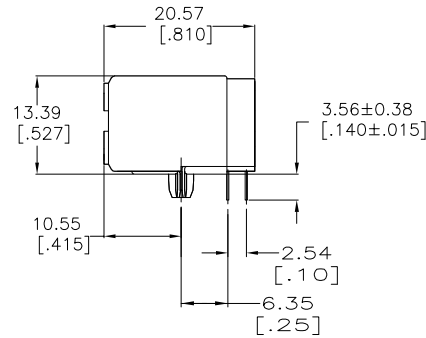
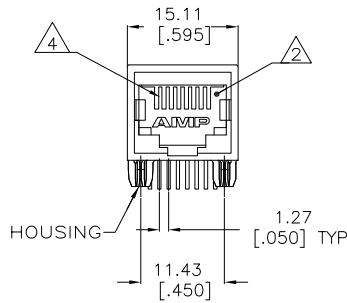
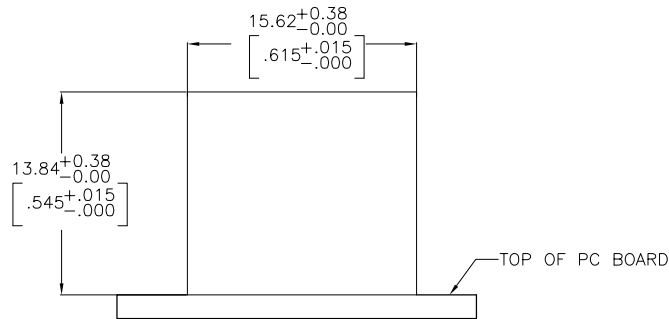
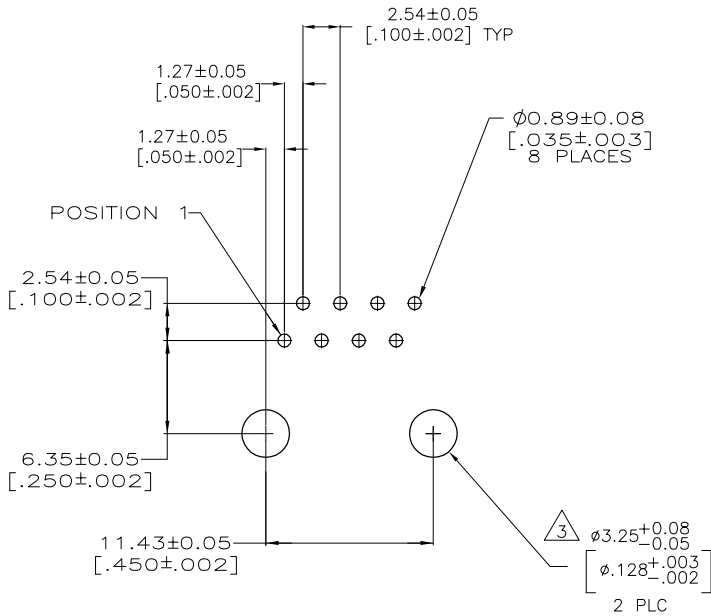


THIS DRAWING IS UNPUBLISHED. RELEASED FOR PUBLICATION
 © COPYRIGHT BY TYCO ELECTRONICS CORPORATION. ALL RIGHTS RESERVED.

LOC		DIST		REVISIONS			
P	LYR	DESCRIPTION	DATE	DN	APVD	TY	SY
AA	00	A	RELEASED ECR-09-005620	11MAR2009	TY	SY	



- 1 MATERIAL: HOUSING - NYLON, COLOR: BLACK, UL 94V-0. OVERMOLDED TERMINAL ARRAY - PBT, COLOR: BROWN. TERMINALS - 0.33 [.013] THICK PHOS BRONZE PLATED WITH 1.27 μm [.000050] MINIMUM THICK HARD GOLD IN LOCALIZED AREA AND 3.81 μm [.000150] MINIMUM THICK MATTE TIN IN SOLDER AREA OVER 1.27 μm [.000050] MINIMUM THICK NICKEL UNDERPLATE.
- ⚠ JACK CAVITY CONFORMS TO FCC RULES AND REGULATIONS, PART 68 SUBPART F.
 - ⚠ USE #30 DRILL BIT OR 3.25mm DRILL BIT WHEN PRODUCING THESE PCB HOLES.
 - ⚠ CONTACT AREA LUBRICATED WITH BELLCORE APPROVED LUBRICANT. TECHNICAL REFERENCE GR-1217-CORE, ISSUE 1, NOVEMBER 1995



RECOMMENDED PANEL CUTOUT
SCALE 4:1

RECOMMENDED PC BOARD LAYOUT
COMPONENT SIDE
SCALE 4:1

1932326-1
PART NUMBER

THIS DRAWING IS A CONTROLLED DOCUMENT.		DWN: TERRY YU 03MAR2009	Tyco Electronics Corporation Harrisburg, Pa 17105-3608	
DIMENSIONS: mm		CHK: MARTIN LI 03MAR2009	Tyco Electronics	
TOLERANCES UNLESS OTHERWISE SPECIFIED:		APVD: STEVEN YAO 03MAR2009	NAME: MODULAR JACK ASSEMBLY, SINGLE PORT, 8 POSITION, UNSHIELDED, CATEGORY 5	
0 PLC ± -		PRODUCT SPEC: 108-1163-2	APPLICATION SPEC: 114-2048	
1 PLC ± -		SIZE: A2	CAGE CODE: 00779	DRAWING NO: 1932326
2 PLC ± 0.25[.01]		RESTRICTED TO: -	SCALE: 2:1	
3 PLC ± 0.13[.005]		SHEET: 1 OF 1		REV: A
4 PLC ± -		CUSTOMER DRAWING		
ANGLES: ± -		FINISH: SEE NOTE 1		
MATERIAL: SEE NOTE 1		FINISH: SEE NOTE 1		