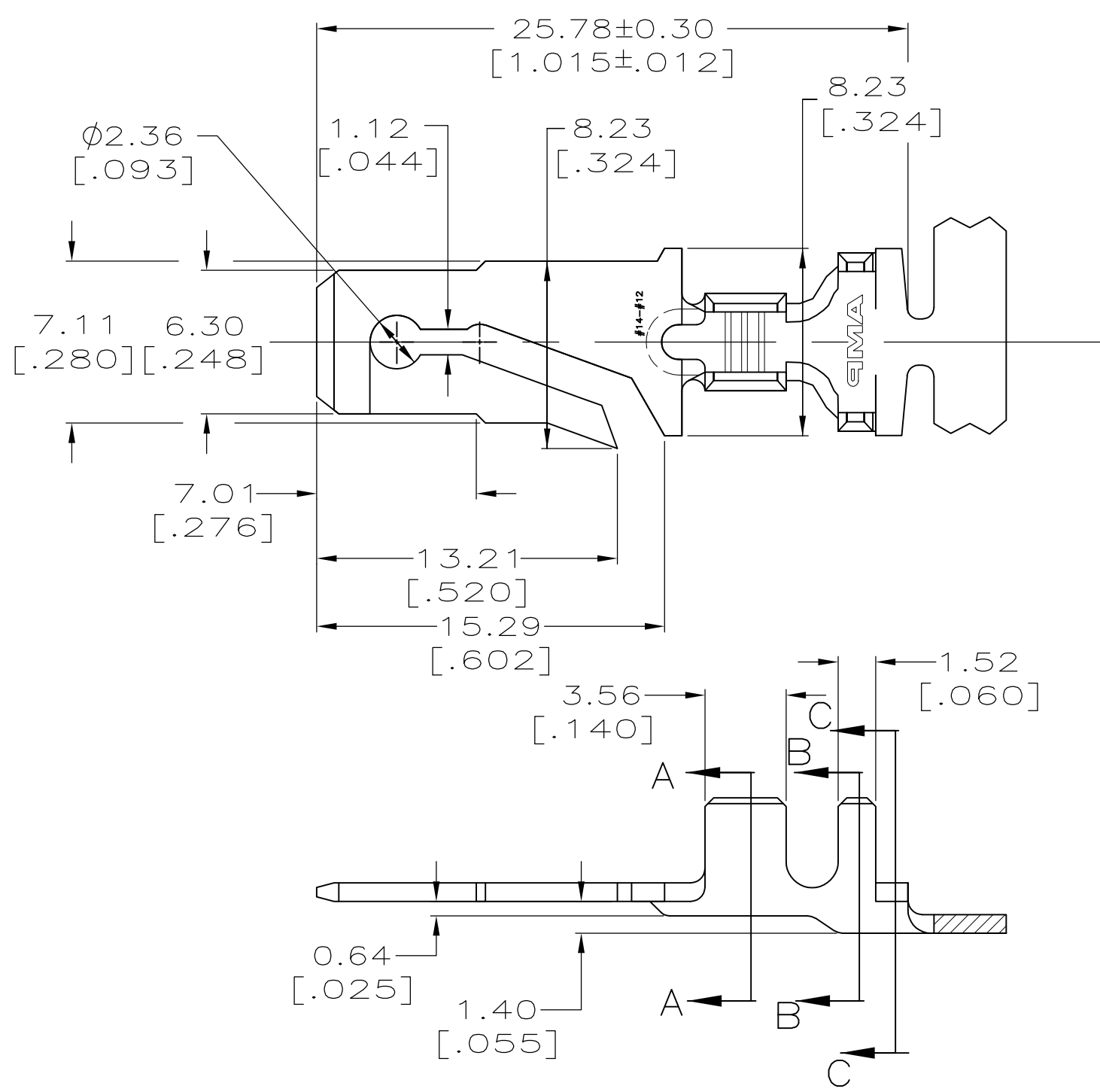
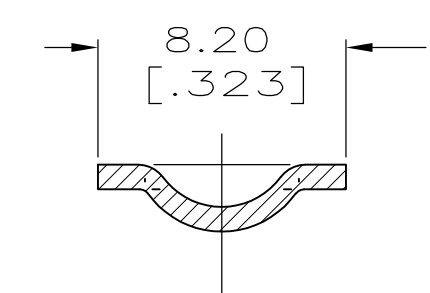


THIS DRAWING IS UNPUBLISHED. RELEASED FOR PUBLICATION  
 © COPYRIGHT - By - ALL RIGHTS RESERVED.

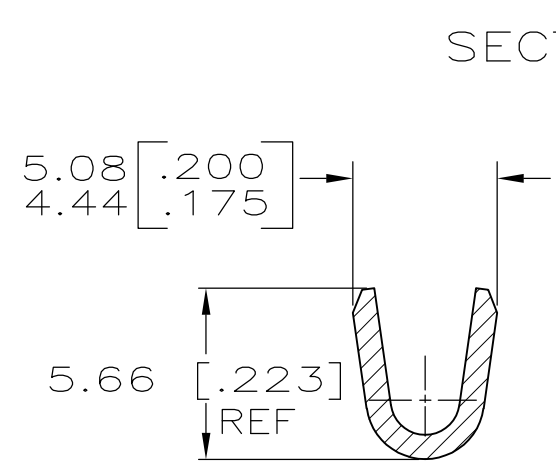
LOC	DIST	REVISIONS			
P	LTR	DESCRIPTION	DATE	DWN	APVD
AF	50	C	REVISED PER ECR-11-018063	07DEC11	KH PD



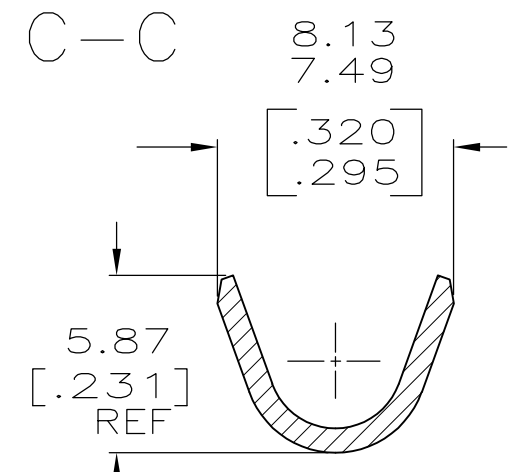
- CONTINUOUS STRIP ON REELS.
- WIRE SIZE IS [#14-#12] AWG.
- INSULATION RANGE IS 3.56-4.44 [.140-.175] DIA.



SECTION C-C




SECTION A-A



SECTION B-B

1217148-1  
 PART NO.

THIS DRAWING IS A CONTROLLED DOCUMENT.		DWN	JR RUTH	29MAR99	 TE Connectivity NAME BLADE, 6.35 [.250] SERIES						
DIMENSIONS: mm [INCHES]		CHK	MS FEHER	29MAR99							
TOLERANCES UNLESS OTHERWISE SPECIFIED:		APVD	D BRATINA	29MAR99							
0 PLC ± - 1 PLC ± - 2 PLC ± 0.25 [.010] 3 PLC ± - 4 PLC ± - ANGLES ± -		PRODUCT SPEC		---							
MATERIAL	082 BRASS	FINISH	TIN	---	APPLICATION SPEC	---					
WEIGHT		---		SIZE	A3	CAGE CODE	00779	DRAWING NO	C-1217148	RESTRICTED TO	---
CUSTOMER DRAWING				SCALE	4:1	SHEET	1 OF 1	REV	C		