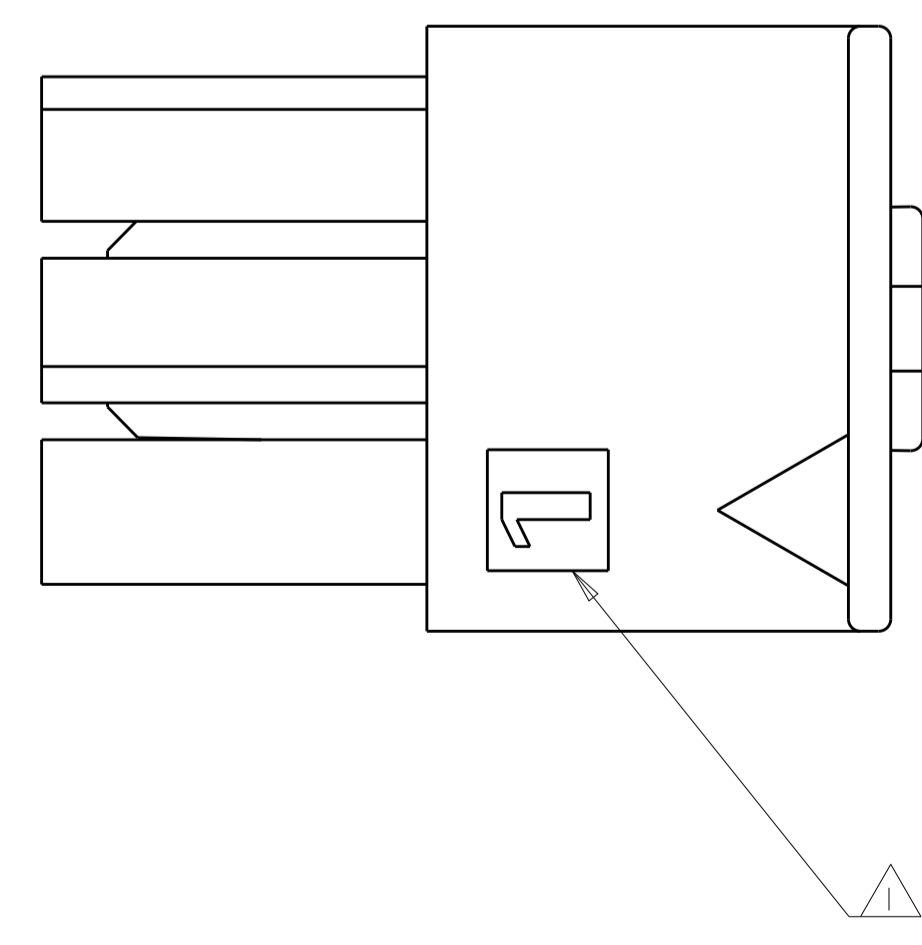
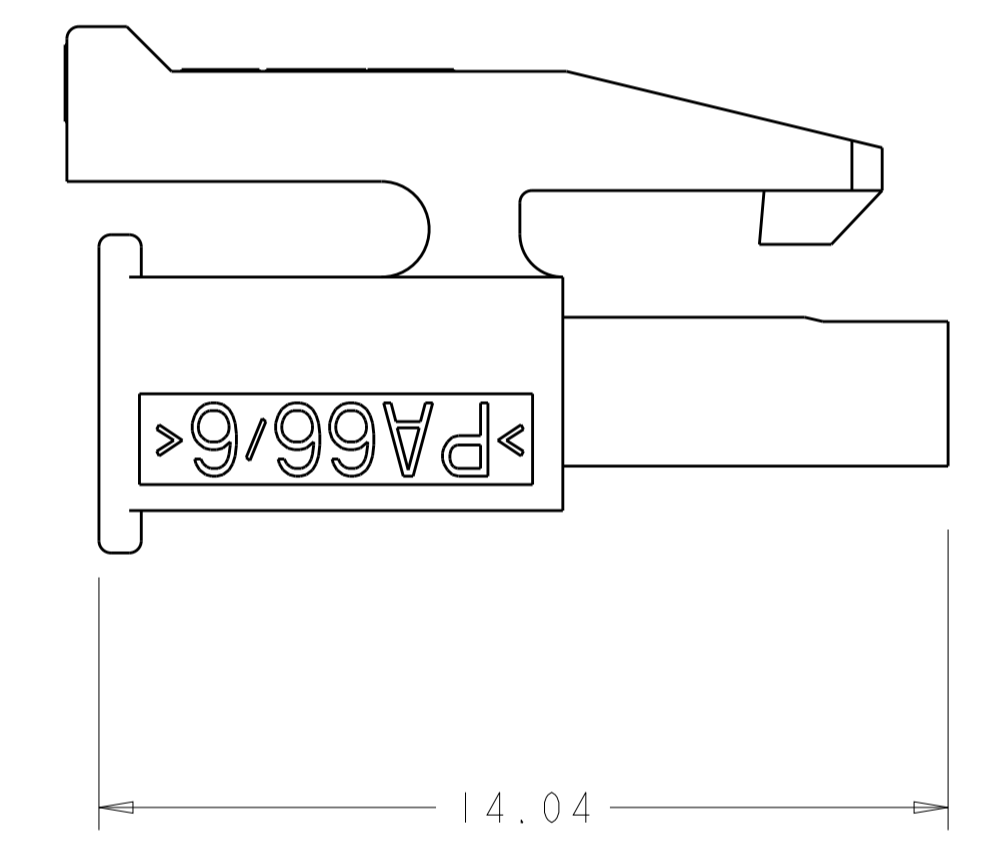
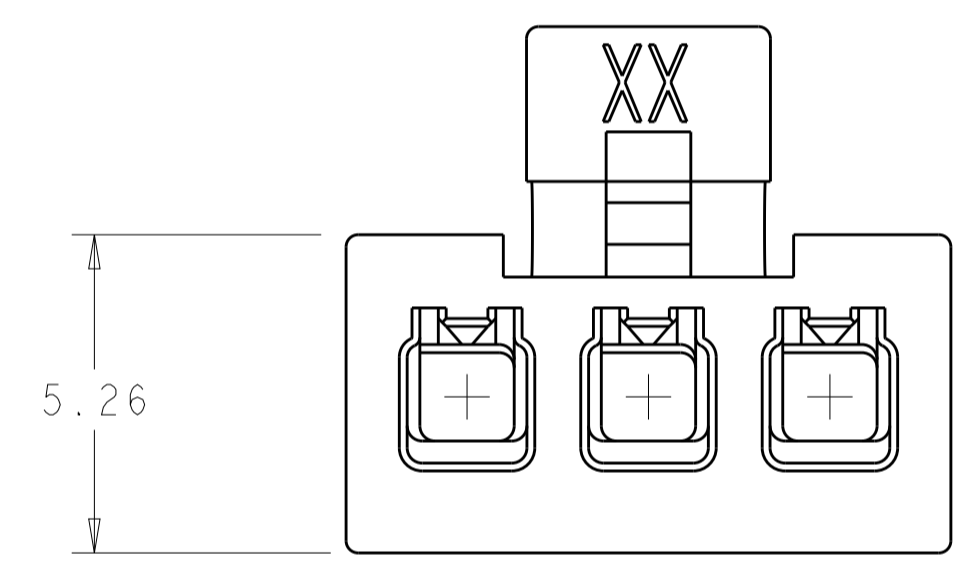
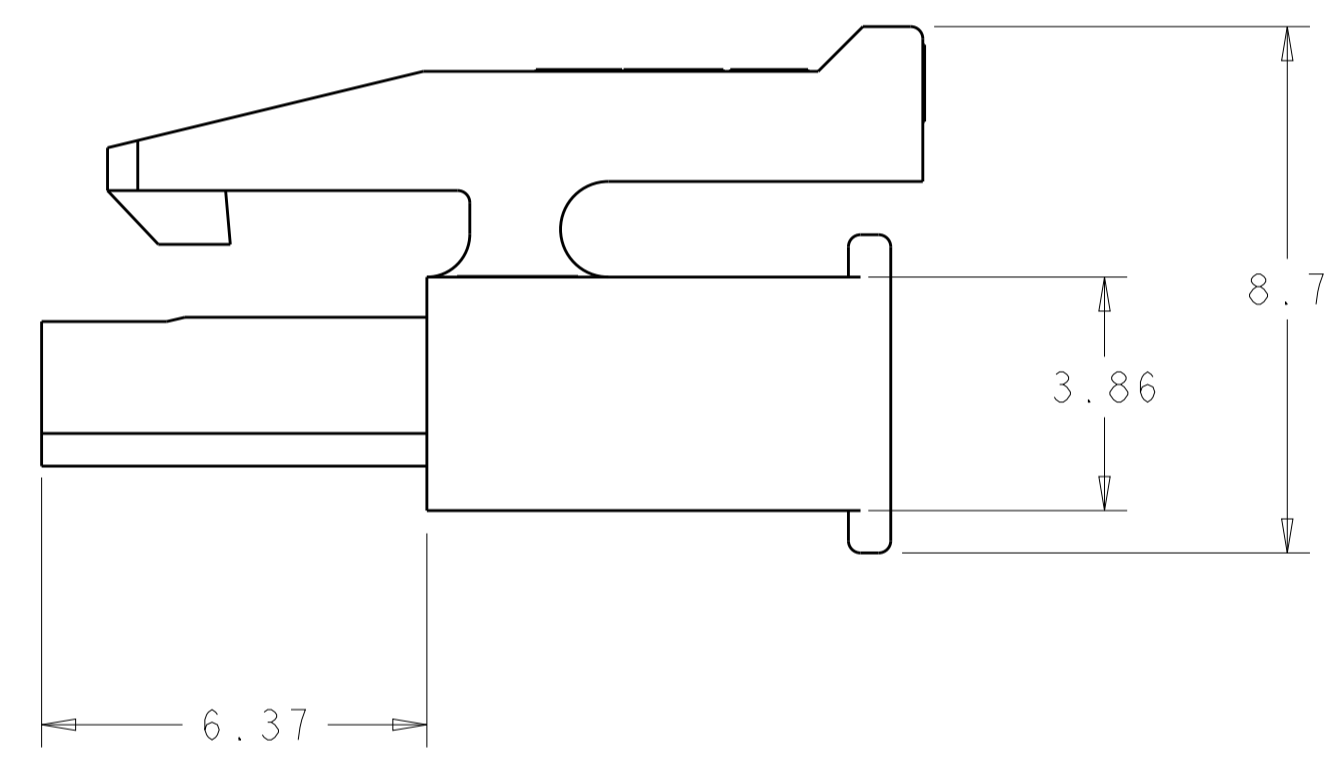
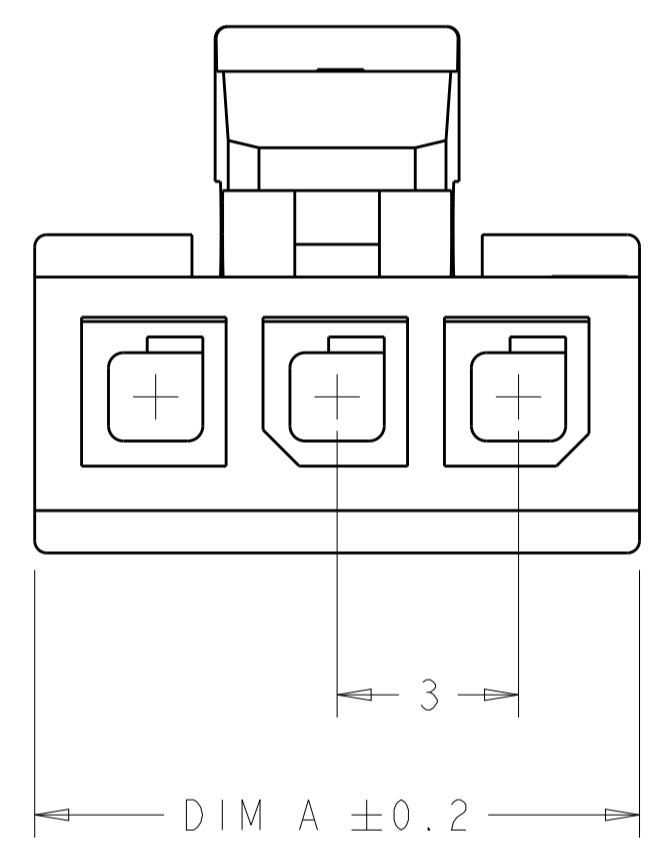
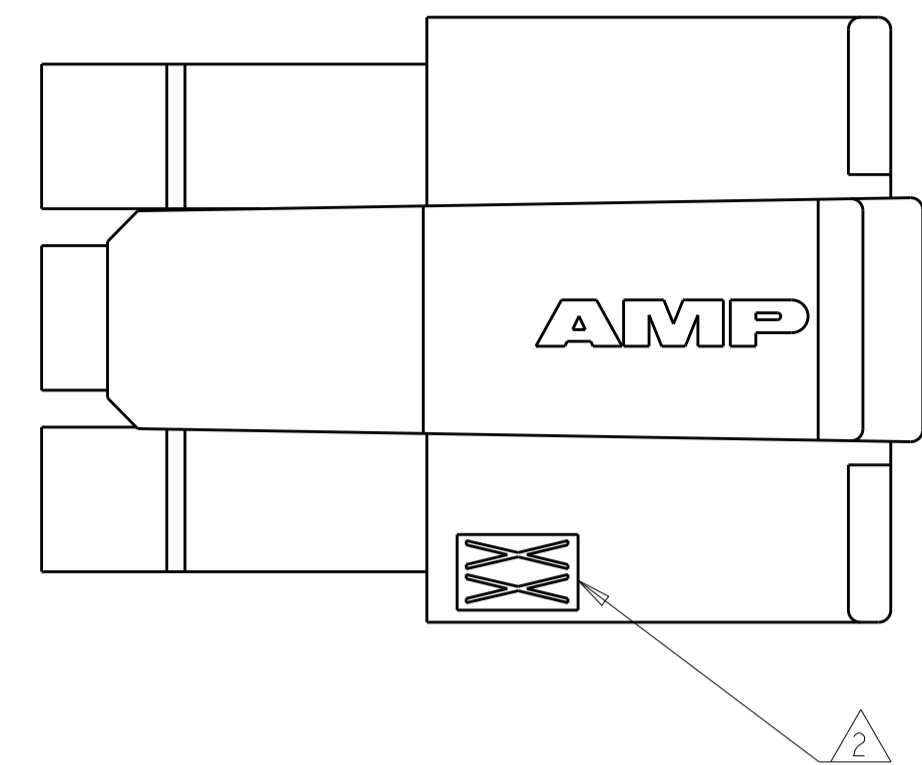


LOC	DIST	REVISIONS					
		P	LTN	DESCRIPTION	DATE	DWN	APVD
CM	00	A	I	ECR 10-022158	03NOV10	JR	TM
		B		ECO-17-000100	03MAR2017	CX	DZ

⚠️ CIRCUIT 1 IDENTIFIER, LOCATED APPROXIMATELY AS SHOWN.  
 ⚠️ LAST CIRCUIT IDENTIFIER, LOCATED APPROXIMATELY AS SHOWN.



525.93	16	5	1586047-5
444.06	13	4	1586047-4
363.37	10	3	1586047-3
282.64	7	2	1586047-2
VOLUME mm <sup>3</sup>	DIM A	NO OF POS.	PART NO.

<small>THE DRAWING IS A COMPUTER GENERATED FILE FROM TYCO ELECTRONICS CORPORATION. IT IS THE USER'S RESPONSIBILITY TO CONTACT THE ORIGINAL DRAWING ORGANIZATION SHOULD BE CONTACTED FOR THE LATEST REVISION.</small>		DWN: K. WHITAKER 06FEB2008 CHK: C. JONES 06FEB2008 APVD: C. JONES 06FEB2008	Tyco Electronics Harrisburg, PA 17105-3608
DIMENSIONS: mm 	TOLERANCES UNLESS OTHERWISE SPECIFIED: 0 PLC ± 1 PLC ±0.13 2 PLC ± 3 PLC ± 4 PLC ± ANGLES ±1° FINISH -	NAME: RECEPTACLE HOUSING, SINGLE ROW MICRO MATE-L-LOK(TM) PRODUCT SPEC - APPLICATION SPEC - SIZE: CAGE CODE DRAWING NO: A1 00779 ©=1586047 WEIGHT - CUSTOMER DRAWING	RESTRICTED TO: - SCALE: 8:1 SHEET 1 OF 1 REV B